

6 & 8 VERSIONS

8 VERSION SHOWN

CIRCUIT 1
(8 CKTS VERSION)

④ 1.27

CIRCUIT 1
(6 CKTS VERSION)

Z

⑤

18.10

⑥ A

*** 95001

VIEW Z

4 VERSION ONLY

⑦

18.10

⑧ A

*** 95001

NOTE 5

NOTES:

1. MATERIAL

HOUSING: LCP GLASS FILLED UL 94 V-0, COLOUR BLACK.

TERMINAL: COPPER ALLOY

BASE FINISH: NICKEL

CONTACT SURFACE FINISH:

GOLD

OR

GOLD FLASH OVER PALLADIUM NICKEL.

EXCEEDS PRODUCT REQUIREMENTS BASED ON PSD-95501

2. JACK FOR MATING WITH F.C.C. 68 PLUGS 90075 MOLEX SERIES.

3. PRODUCT SPECIFICATION PSD-95501.

4. PACKAGING SPECIFICATION PK-95001: STANDARD PACKAGING SHEET 1.

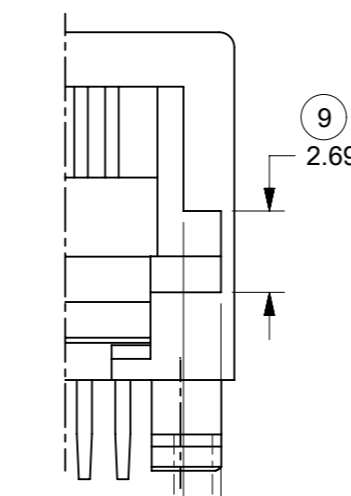
SPECIAL PACKAGING SHEET 2. TUBE PACKAGING SHEET 3.

5. MANUFACTURING I.D. CAN BE EITHER MXF, MG, MXI OR MXCH.

6. RECOMMENDED PCB THICKNESS: 1.57mm

INSPECTION NUMBERS USED: 1 - 50

LAST INSPECTION NUMBER: 21



OPTIONAL KEYING

CIRCUIT 1
(4 CKTS VERSION)

⑨ 2.69

⑩ 1.24

⑭ 1.27

⑫

⑪

0.10 Y

B

C

Y

⑳ 3.00

㉑ 1.80

⑲ 7.88

⑱ 2.54

⑰ 8.89

⑮ 11.50

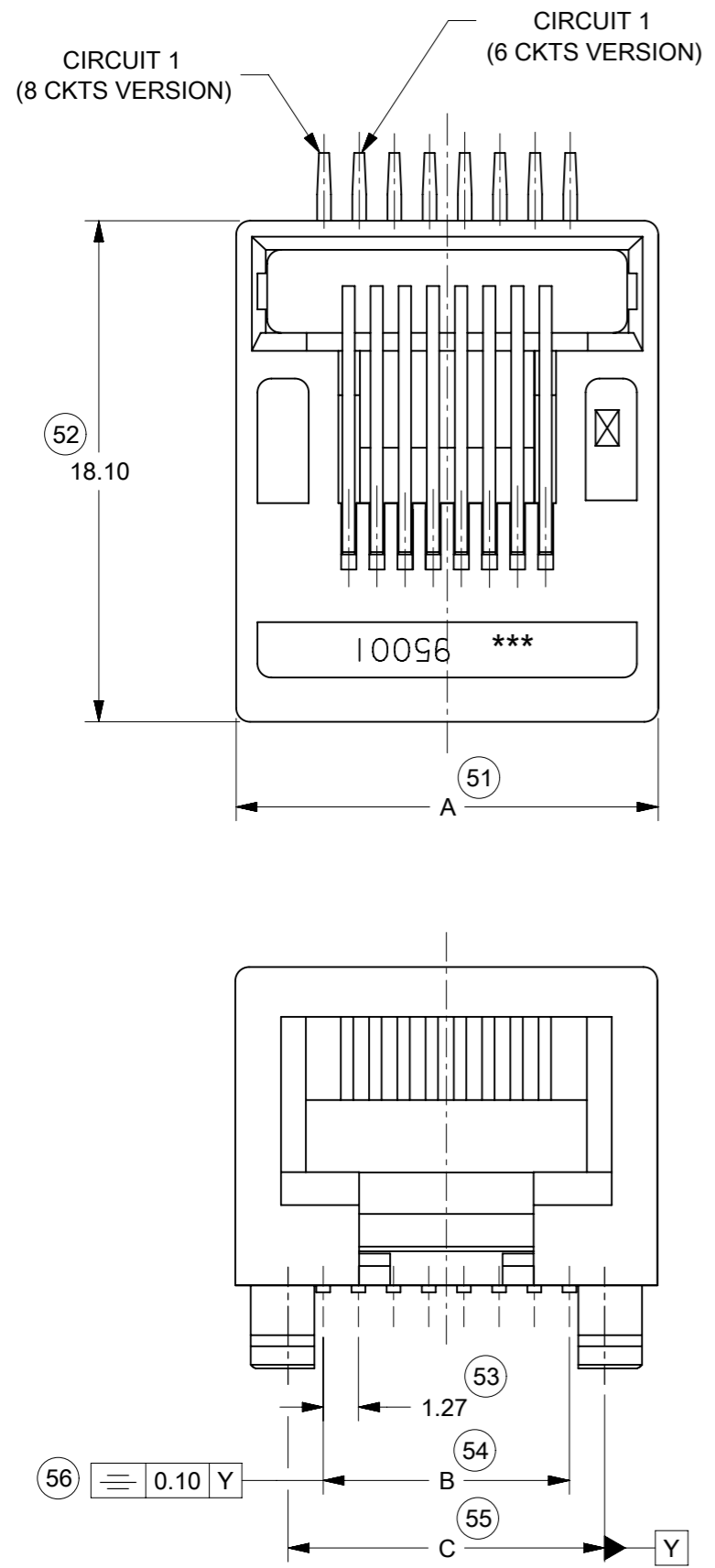
⑯ 3.3 ±0.35

DIM.	TYPE	POS. 4	POS. 6		POS. 8
		4 CKTS.	4 CKTS.	6 CKTS.	8 CKTS.
A		11.18	13.21	13.21	15.24
C		7.62	10.16	10.16	11.43
B		3.81	3.81	6.35	8.89

FUNCTIONAL SYMBOLS	THIS DRAWING CONTAINS INFORMATION THAT IS PROPRIETARY TO MOLEX ELECTRONIC TECHNOLOGIES, LLC AND SHOULD NOT BE USED WITHOUT WRITTEN PERMISSION		
▽ = 0	DIMENSION UNITS	SCALE	CURRENT REV DESC: ADD "MXCH" AS MANUFACTURING I.D. SEE NOTE 5.
▽ = 0	mm	1:1	
▽ = 0	GENERAL TOLERANCES (UNLESS SPECIFIED)		
	ANGULAR TOL	±	°
	4 PLACES	±	
DIVISIONAL SYMBOLS	3 PLACES	±	
	2 PLACES	± 0.15	
	1 PLACE	± 0.25	
	0 PLACES	±	
DRAFT WHERE APPLICABLE MUST REMAIN WITHIN DIMENSIONS	THIRD ANGLE PROJECTION	DRAWING	SERIES
		A3-SIZE	95501
	EC NO: 641518	DRWN: BCAFFREY	2017/06/30
	CHK'D: KLANG	APPR: KLANG	2020/08/25
	INITIAL REVISION:	DRWN: DBYRNES	2006/10/11
	APPR: EOMAHONY		2006/10/12
	DOCUMENT NUMBER	DOC TYPE	DOC PART
	SD-95501-001	PSD	001
	CUSTOMER	SHEET NUMBER	
	GENERAL MARKET	1 OF 5	

6 & 8 VERSIONS

8 VERSION SHOWN

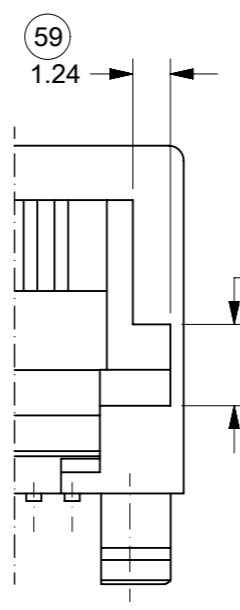


DIM. \ TYPE	POS. 4	POS. 6		POS. 8
	4 CKTS.	4 CKTS.	6 CKTS.	8 CKTS.
A	11.18	13.21	13.21	15.24
C	7.62	10.16	10.16	11.43
B	3.81	3.81	6.35	8.89

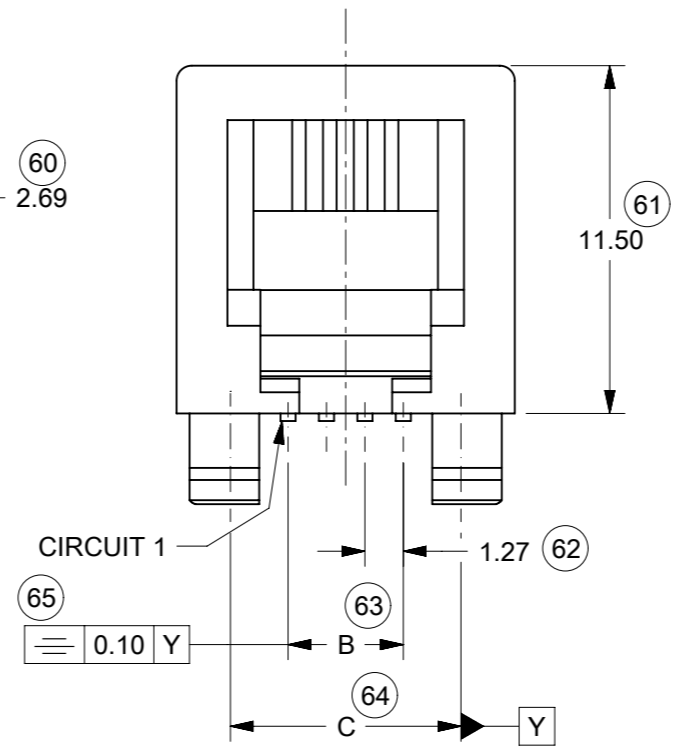
NOTES:

- MATERIAL:**
HOUSING: LCP GLASS FILLED UL 94V-0.
COLOUR BLACK.
- SEE OTHER NOTES SHEET 1.
- COPLANARITY OF SIGNAL TAILS 0.10mm.

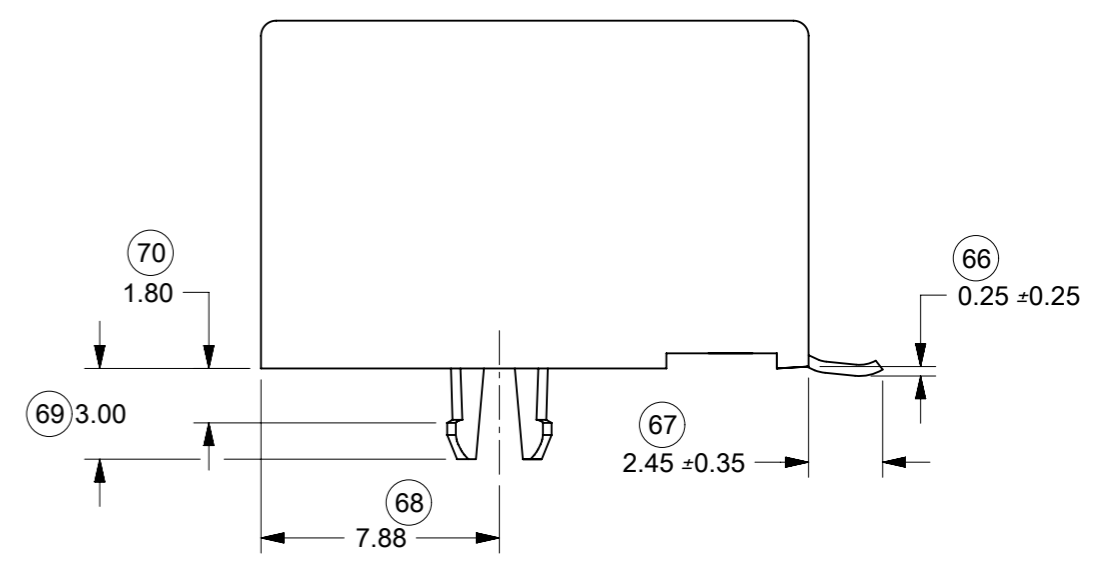
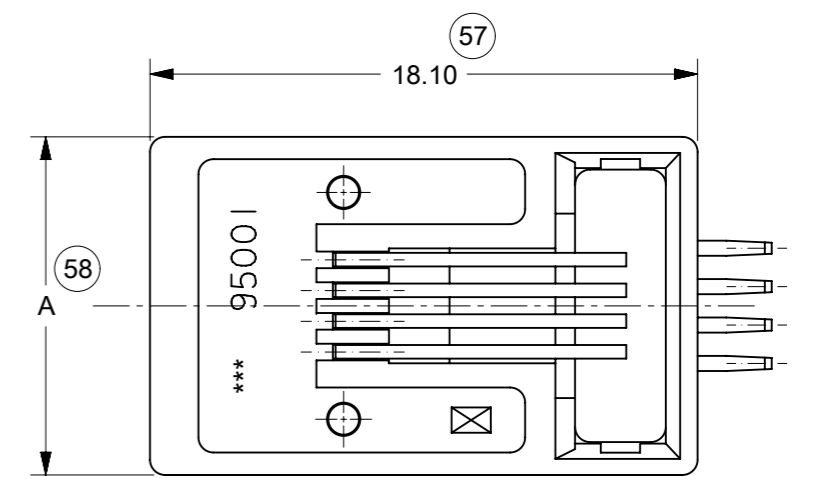
INSPECTION NUMBERS USED: 51 - 100
LAST INSPECTION NUMBER: 70



OPTIONAL KEYING



4 VERSION ONLY



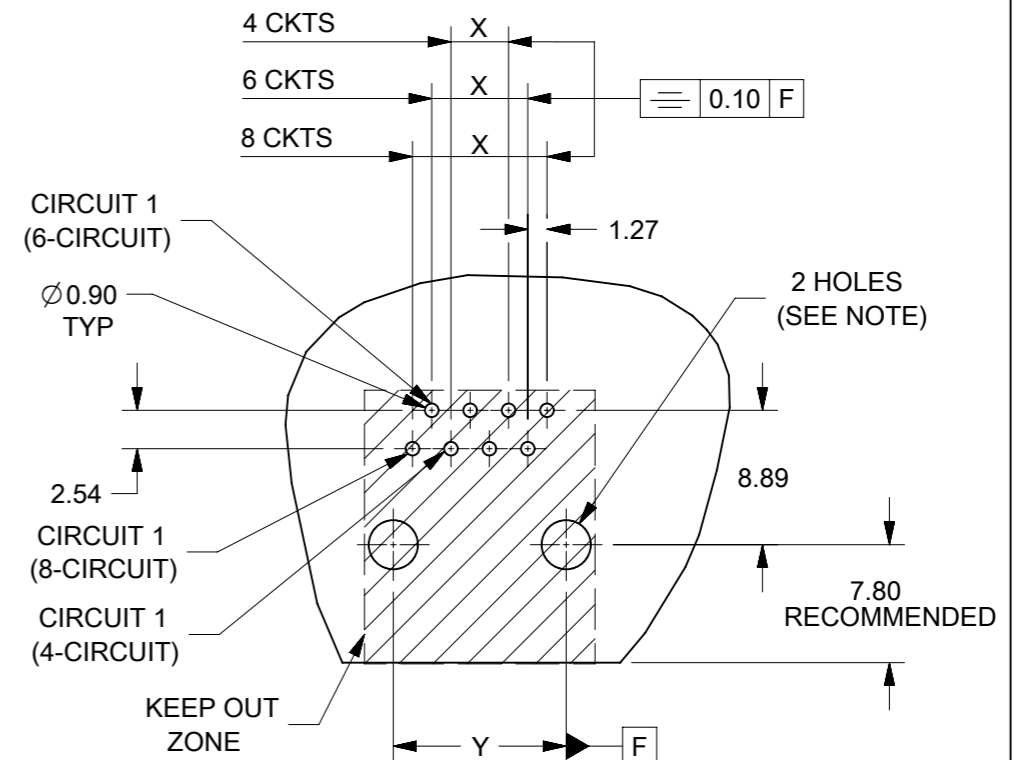
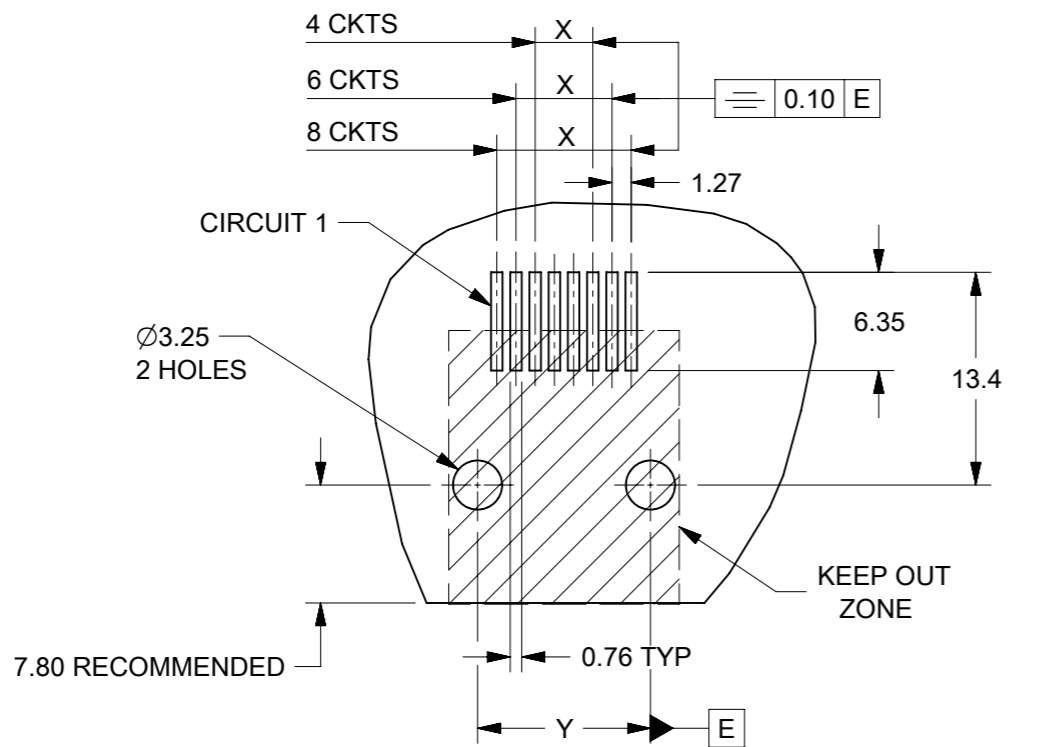
FUNCTIONAL SYMBOLS	THIS DRAWING CONTAINS INFORMATION THAT IS PROPRIETARY TO MOLEX ELECTRONIC TECHNOLOGIES, LLC AND SHOULD NOT BE USED WITHOUT WRITTEN PERMISSION	CURRENT REV DESC: ADD "MXCH" AS MANUFACTURING I.D. SEE NOTE 5.		molex	
	DIMENSION UNITS: mm	SCALE: 1:1	EC NO: 641518		
GENERAL TOLERANCES (UNLESS SPECIFIED)	ANGULAR TOL ± °	4 PLACES ±	DRWN: BCAFFREY 2017/06/30	R/A LOW PROFILE PC JACK 4,6,8 CKTS SIZE THROUGH HOLE VERSION	
	3 PLACES ±	3 PLACES ±	CHK'D: KLANG 2020/08/25	PRODUCT CUSTOMER DRAWING	
DIVISIONAL SYMBOLS	2 PLACES ± 0.15	2 PLACES ± 0.15	APPR: KLANG 2020/08/25	DOCUMENT NUMBER	
	1 PLACE ± 0.25	1 PLACE ± 0.25	INITIAL REVISION:	DOC TYPE DOC PART REVISION	
DRAFT WHERE APPLICABLE MUST REMAIN WITHIN DIMENSIONS	0 PLACES ±	0 PLACES ±	DRWN: DBYRNES 2006/10/11	SD-95501-001	
	THIRD ANGLE PROJECTION	DRAWING: A3-SIZE	APPR: EOMAHONY 2006/10/12	SEE CHART	GENERAL MARKET
		SERIES: 95501	MATERIAL NUMBER	CUSTOMER	SHEET NUMBER
			SEE CHART	GENERAL MARKET	2 OF 5

DIM. \ TYPE	POS. 4	POS. 6		POS. 8
	4 CKTS.	4 CKTS.	6 CKTS.	8 CKTS.
Y±0.05	7.62	10.16	10.16	11.43
X±0.05	3.81	3.81	6.35	8.89

P.C.B. MOUNTING PATTERNS - SEE FROM COMPONENT SIDE

FOR SMT JACK TYPE (SURFACE MOUNT)

FOR STANDARD JACK TYPE (THROUGH HOLE)



FOR ALL VERSIONS, CIRCUIT 1 ALWAYS ON THE LEFT SIDE _FT SIDE


NOTE:
 FOR CONVECTION SOLDERING: DIA 3.25±0.05
 FOR WAVE SOLDERING: DIA 3.20±0.10
 ALL DIMENSIONS REF DIMENSIONS

FUNCTIONAL SYMBOLS	THIS DRAWING CONTAINS INFORMATION THAT IS PROPRIETARY TO MOLEX ELECTRONIC TECHNOLOGIES, LLC AND SHOULD NOT BE USED WITHOUT WRITTEN PERMISSION					
$\nabla_A = 0$ $\nabla_E = 0$ $\nabla_F = 0$	DIMENSION UNITS mm	SCALE 1:1	CURRENT REV DESC: ADD "MXCH" AS MANUFACTURING I.D. SEE NOTE 5.			
DIVISIONAL SYMBOLS	GENERAL TOLERANCES (UNLESS SPECIFIED) ANGULAR TOL ± °			EC NO: 641518 DRWN: BCAFFREY 2017/06/30 CHK'D: KLANG 2020/08/25 APPR: KLANG 2020/08/25		
	4 PLACES ±			INITIAL REVISION: DRWN: DBYRNES 2006/10/11 APPR: EOMAHONY 2006/10/12		
	3 PLACES ±			DOCUMENT NUMBER SD-95501-001		
	2 PLACES ± 0.15			DOC TYPE	DOC PART	REVISION
	1 PLACE ± 0.25			PSD	001	F
	0 PLACES ±			MATERIAL NUMBER SEE CHART		
	DRAFT WHERE APPLICABLE MUST REMAIN WITHIN DIMENSIONS		THIRD ANGLE PROJECTION 	DRAWING A3-SIZE	SERIES 95501	CUSTOMER GENERAL MARKET
				SHEET NUMBER 3 OF 5		

STANDARD PACKAGING OPEN TRAY, SEE PACKAGING SPEC PK95001 SHEET 1

HOUSING SIZE	LOADED CONTACTS
4	4
6	4
6	6
8	8

PART NO. FOR JACK ASSEMBLY THROUGH HOLE VERSION							
LCP GLASS FILLED UL-94V0, COLOUR BLACK.							
NO KEY	TOOLED	KEY	TOOLED		TOOLED		TOOLED
NOT RIBBED		NOT RIBBED					
95501-2441	X						
95501-2641	X						
95501-2661	X						
95501-2881	X	95501-2882	X				

FUNCTIONAL SYMBOLS FA=0 FE=0 FF=0	THIS DRAWING CONTAINS INFORMATION THAT IS PROPRIETARY TO MOLEX ELECTRONIC TECHNOLOGIES, LLC AND SHOULD NOT BE USED WITHOUT WRITTEN PERMISSION	CURRENT REV DESC: ADD "MXCH" AS MANUFACTURING I.D. SEE NOTE 5.		 <p>R/A LOW PROFILE PC JACK 4,6,8 CKTS SIZE THROUGH HOLE VERSION</p>		
	DIMENSION UNITS: mm	SCALE: 1:1	EC NO: 641518			
DIVISIONAL SYMBOLS	GENERAL TOLERANCES (UNLESS SPECIFIED)		DRWN: BCAFFREY	2017/06/30	PRODUCT CUSTOMER DRAWING	
	ANGULAR TOL ± °	4 PLACES ±	CHK'D: KLANG	2020/08/25	DOCUMENT NUMBER	
	3 PLACES ±	2 PLACES ± 0.15	APPR: KLANG	2020/08/25	SD-95501-001	DOC TYPE: PSD
	1 PLACE ± 0.25	0 PLACES ±	INITIAL REVISION:	2006/10/11	001	REVISION: F
DRAFT WHERE APPLICABLE MUST REMAIN WITHIN DIMENSIONS		THIRD ANGLE PROJECTION	DRAWING: A3-SIZE	SERIES: 95501	MATERIAL NUMBER: SEE CHART	CUSTOMER: GENERAL MARKET
					SHEET NUMBER: 4 OF 5	

SPECIAL PACKAGING TUBE, SEE PACKAGING SPEC PK95001 SHEET 3

PART NO. FOR JACK ASSEMBLY THROUGH HOLE VERSION

LCP GLASS FILLED UL 94-V0, COLOUR BLACK.

NO KEY	TOOLED	KEY		TOOLED	TOOLED	TOOLED
		NOT RIBBED	TOOLED			
95501-2401	X					
95501-2601	X					
95501-2611	X					
95501-2821	X					

PART NO. FOR JACK ASSEMBLY SMT VERSION

LCP GLASS FILLED UL 94-V0, COLOUR BLACK.

NO KEY	TOOLED	KEY		NO KEY	TOOLED	KEY		TOOLED
		NOT RIBBED	TOOLED			NOT RIBBED	TOOLED	
95501-6449	X							
95501-6649	X							
95501-6669	X							
95501-6889	X	95501-6890	X					

HOUSING SIZE	LOADED CONTACTS
4	4
6	4
6	6
8	8

FUNCTIONAL SYMBOLS	THIS DRAWING CONTAINS INFORMATION THAT IS PROPRIETARY TO MOLEX ELECTRONIC TECHNOLOGIES, LLC AND SHOULD NOT BE USED WITHOUT WRITTEN PERMISSION	SCALE 1:1	CURRENT REV DESC: ADD "MXCH" AS MANUFACTURING I.D. SEE NOTE 5.	molex			
$\nabla = 0$	DIMENSION UNITS mm	GENERAL TOLERANCES (UNLESS SPECIFIED)	EC NO: 641518	R/A LOW PROFILE PC JACK 4,6,8 CKTS SIZE THROUGH HOLE VERSION			
$\nabla = 0$	ANGULAR TOL	± °	DRWN: BCAFFREY	PRODUCT CUSTOMER DRAWING			
$\nabla = 0$	4 PLACES	±	APPR: KLANG	2017/06/30	DOCUMENT NUMBER		
DIVISIONAL SYMBOLS	3 PLACES	±	INITIAL REVISION:	2020/08/25	SD-95501-001	DOC TYPE	
	2 PLACES	± 0.15	DRWN: DBYRNES	2020/08/25	PSD	DOC PART	
	1 PLACE	± 0.25	APPR: EOMAHONY	2006/10/11	001	REVISION	
	0 PLACES	±	2006/10/12	F			
	DRAFT WHERE APPLICABLE MUST REMAIN WITHIN DIMENSIONS	THIRD ANGLE PROJECTION	DRAWING	SERIES	MATERIAL NUMBER	CUSTOMER	SHEET NUMBER
			A3-SIZE	95501	SEE CHART	GENERAL MARKET	5 OF 5