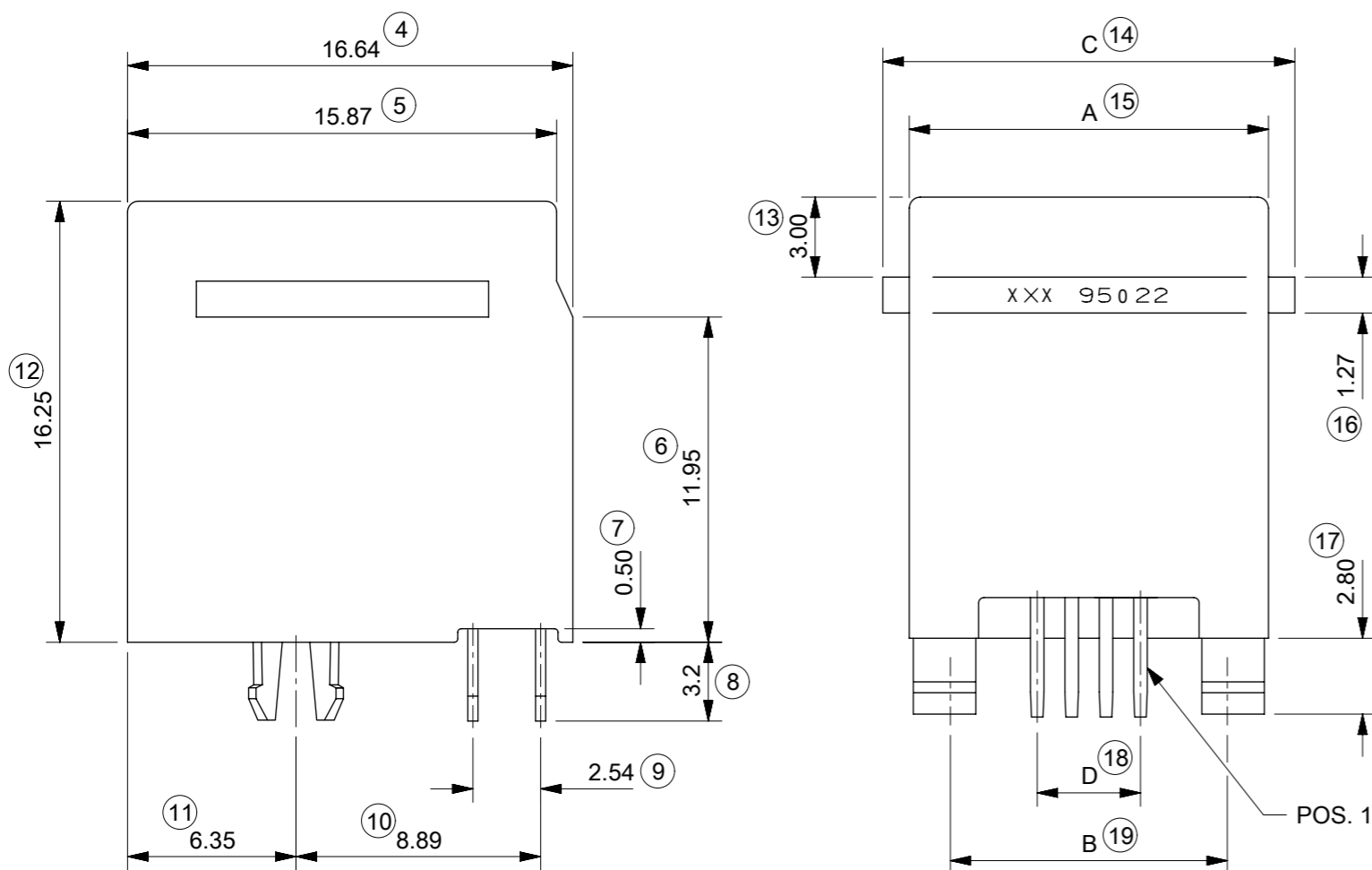
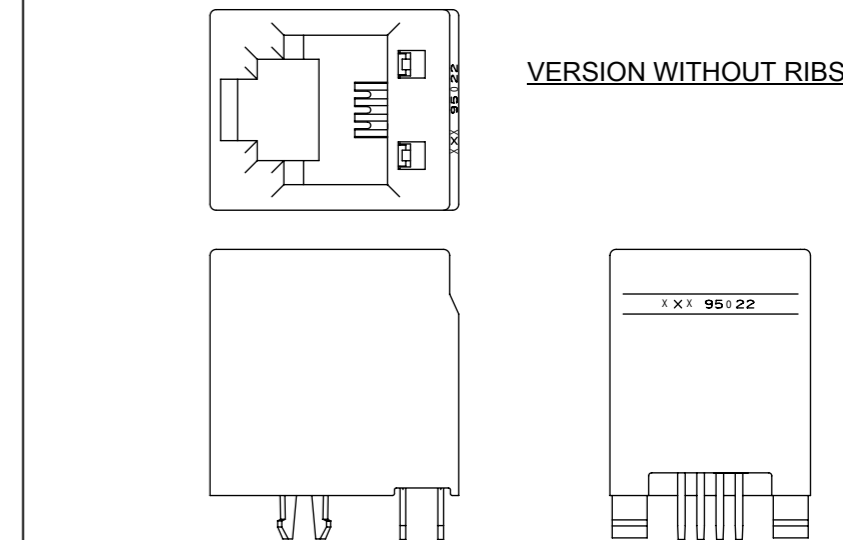
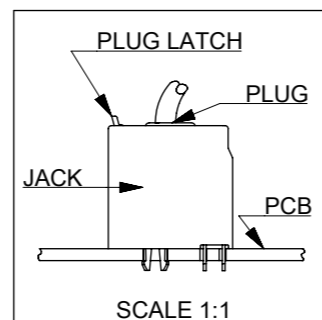


NOTE 9

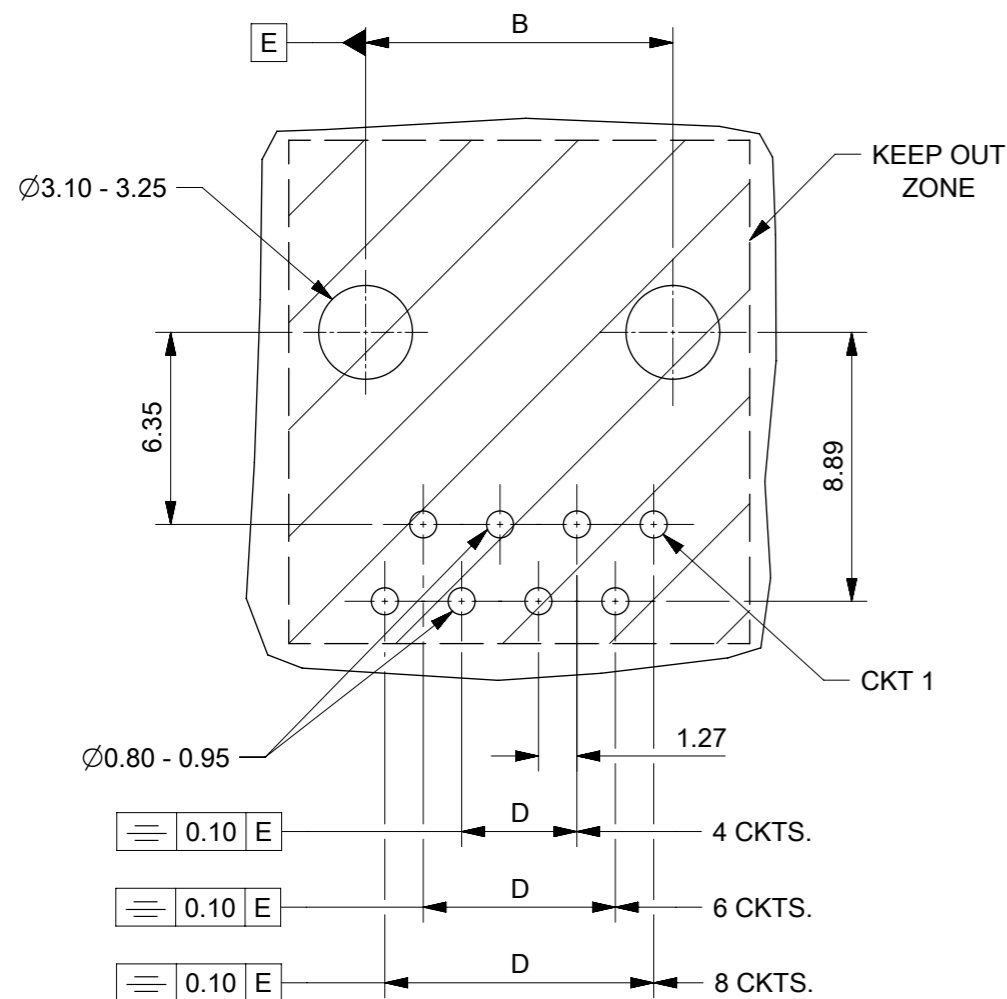


**NOTES:**

1. **MATERIAL:**  
 HOUSING: LCP FIBER GLASS FILLED 94-V0 COLOR BLACK  
 TERMINAL: COPPER ALLOY PLATED WITH:  
 BASE FINISH: NICKEL  
 CONTACT SURFACE FINISH:  
 GOLD  
 OR  
 GOLD FLASH OVER PALLADIUM NICKEL  
 EXCEEDS PRODUCT REQUIREMENTS BASED ON PS-95522-002
2. PC BOARD THICKNESS: 1.57
3. JACK FOR MATING WITH IEC 60603-7 AND TIA-1096-A PLUGS
4. PRODUCT SPECIFICATION PS-95522-002.
5. APPLICATION SPECIFICATION AS-85513-001
6. PACKAGING SPECIFICATION PK-95022. (SHT. 1 TRAY PACKAGING)  
 PK-95022. (SHT. 2 TUBE PACKAGING)
7. FOR ILLUSTRATION PURPOSES A 4 CIRCUIT IS SHOWN
8. PACKAGING SPECIFICATION RPK-95022-001 (TUBE PACKAGING)
9. MANUFACTURING I.D. CAN BE EITHER MG, MXF, MXI OR MXCH.

LAST INSPECTION NUMBER: 19

FUNCTIONAL SYMBOLS	THIS DRAWING CONTAINS INFORMATION THAT IS PROPRIETARY TO MOLEX ELECTRONIC TECHNOLOGIES, LLC AND SHOULD NOT BE USED WITHOUT WRITTEN PERMISSION		CURRENT REV DESC: CORRECTED NOTE 8 SHT 1		<b>molex</b>
	FA = 0	mm	SCALE	1:1	
E = 0	GENERAL TOLERANCES (UNLESS SPECIFIED)				HIGH PROFILE TOP ENTRY JACK
	ANGULAR TOL ± 2.0°				
E = 0	4 PLACES ±				PRODUCT CUSTOMER DRAWING
	3 PLACES ±				
DIVISIONAL SYMBOLS	2 PLACES ± 0.25				DOCUMENT NUMBER: SD-95522-001
	1 PLACE ± 0.35				
0 PLACES ±				DOC TYPE: PSD	
DRAFT WHERE APPLICABLE MUST REMAIN WITHIN DIMENSIONS				DOC PART: 002	
THIRD ANGLE PROJECTION				REVISION: G	
DRAWING: A3-SIZE				SERIES: 95522	
MATERIAL NUMBER: SEE CHART				CUSTOMER: GENERAL MARKET	
SHEET NUMBER: 1 OF 2					



**MOUNTING HOLE PATTERNS**  
(SEE FROM COMPONENT SIDE  
ALL DIMENSIONS REF DIMENSIONS)

PART NUMBERS FOR JACK WITH RIBS									
TYPE	PACKAGING	POS. 4	TOOLED	POS. 6	TOOLED	POS. 6	TOOLED	POS. 8	TOOLED
		4 CKTS.		4 CKTS.		6 CKTS.		8 CKTS.	
	TRAY	95522-2447	X	95522-2647	X	95522-2667	X	95522-2887	X
	TUBE					95522-2617 SEE NOTE 8 SH. 1	X		

PART NUMBERS FOR JACK WITHOUT RIBS									
TYPE	PACKAGING	POS. 4	TOOLED	POS. 6	TOOLED	POS. 6	TOOLED	POS. 8	TOOLED
		4 CKTS.		4 CKTS.		6 CKTS.		8 CKTS.	
	TRAY	95522-2441	X	95522-2641	X	95522-2661	X	95522-2881	
	TUBE					95522-2611	X		

DIM. \ TYPE	POS. 4	POS. 6		POS. 8
	4 CKTS.	4 CKTS.	6 CKTS.	8 CKTS.
A	11.18	13.21	13.21	15.24
B	7.62	10.16	10.16	11.43
(WITH RIBS) C	14.00	16.00	16.00	18.00
D	3.81	3.81	6.35	8.89
H	7.82	9.88	9.88	11.94
J	5.64	6.70	6.70	6.30
K	3.07	4.06	4.06	4.06

FUNCTIONAL SYMBOLS FA = 0 FE = 0 FE = 0	THIS DRAWING CONTAINS INFORMATION THAT IS PROPRIETARY TO MOLEX ELECTRONIC TECHNOLOGIES, LLC AND SHOULD NOT BE USED WITHOUT WRITTEN PERMISSION	CURRENT REV DESC: CORRECTED NOTE 8 SHT 1		<b>molex</b>			
	DIMENSION UNITS: mm	SCALE: 1:1	HIGH PROFILE TOP ENTRY JACK				
	DIVISIONAL SYMBOLS	GENERAL TOLERANCES (UNLESS SPECIFIED)	EC NO: 648061		PRODUCT CUSTOMER DRAWING		
	4 PLACES ±	ANGULAR TOL ± 2.0°	DRWN: DBYRNES	2020/10/19	DOCUMENT NUMBER: SD-95522-001		
3 PLACES ±		CHK'D: LKATARZIENE	2020/11/04	DOC TYPE: PSD	DOC PART: 002	REVISION: G	
2 PLACES ± 0.25		APPR: LKATARZIENE	2020/11/04	MATERIAL NUMBER: SEE CHART			
1 PLACE ± 0.35		INITIAL REVISION:		CUSTOMER: GENERAL MARKET			
0 PLACES ±		DRWN: KNOLLER	2004/09/01	SHEET NUMBER: 2 OF 2			
DRAFT WHERE APPLICABLE MUST REMAIN WITHIN DIMENSIONS	THIRD ANGLE PROJECTION	DRAWING: A3-SIZE	SERIES: 95522				