

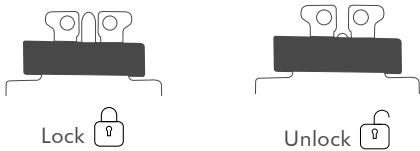
LogiLink®

Notebook Key Lock for Nano Slot

Art. No.: NBS013



Designed for ultra-slim laptop with Nano Slot; prevents theft of laptop or fall down the floor to protect your laptops safe. Ideal for coffee shop, hotel, office, school...etc.



Fits with Nano Slot size of 2.5x6 mm, compatible with HP, Lenovo, ASUS or Acer below 13" ultra-slim notebook.

Convenient operation with 360° swivel cable joint. Creates great freedom of movement, eliminates awkward angles and allows you to insert your key.



Zinc alloyed lock body with tubular key mechanism; allows you to secure your laptop effortlessly.

→ Straight cable in dark smoke PVC coating: diameter 4, length 1.8 m



*The specifications and pictures are subject to change without prior notice.
*All trade names referenced are the registered trademarks of their respective owners.



NBS013



Made in China

LogiLink®

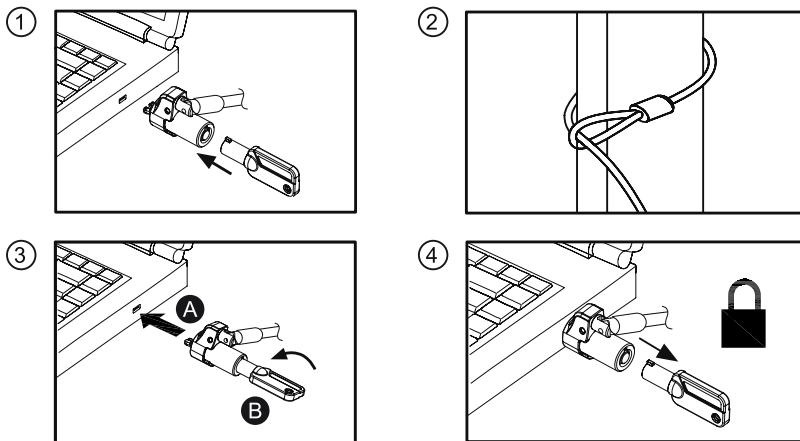
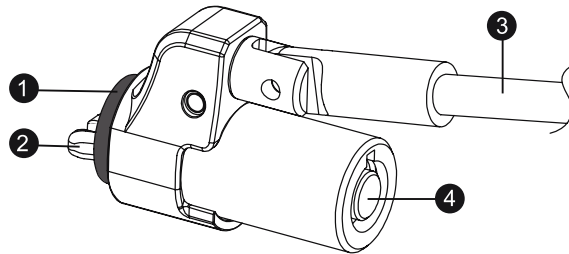
Notebook Key Lock for Nano Slot

Art. No.: NBS013



How to Use:

- ① Spacers
- ② Lock
- ③ Cable
- ④ Keyhole



1. Insert the key into the lock hole behind the lock.
2. Wrap the cable around a firm object.
3. Insert the key lock **A** into the notebook and turn the key **B** anticlockwise.
4. Remove the key from the keyhole.

Package Content:

- » 1x Notebook Key Lock for Nano Slot
- » 2x Keys
- » 1x User Manual

Package Information:

- » Packing Dimension: 193x176x35 mm
- » Packing Weight: 0.13 kg
- » Carton Dimension: 490x320x300 mm
- » Carton Q'ty: 100 pcs
- » Carton Weight: 14 kg



*The specifications and pictures are subject to change without prior notice.
*All trade names referenced are the registered trademarks of their respective owners.



NBS013



4 052792 064445

Made in China