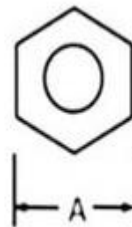
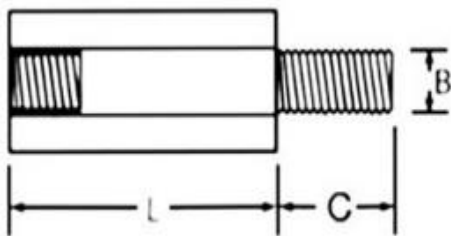


## Data Sheet

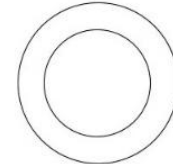
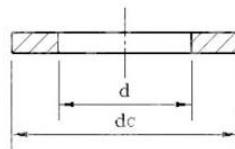
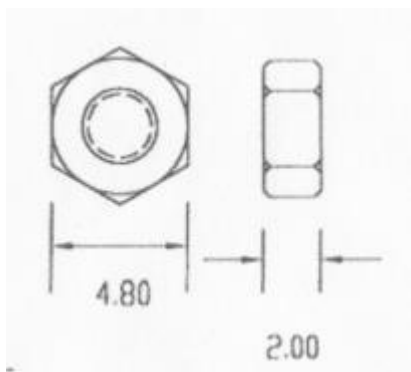
### Mounting bolt, Silver 8 Parts



A=4.6mm

L=5mm

C=7mm



d1:2.9mm    d2:2.8mm  
dc1:5.5mm    dc2:5.2mm

#### Technical data

Connector type: Mounting bolt

Color: Silver

Type: 4-40 UNC

Material: Nickel plated