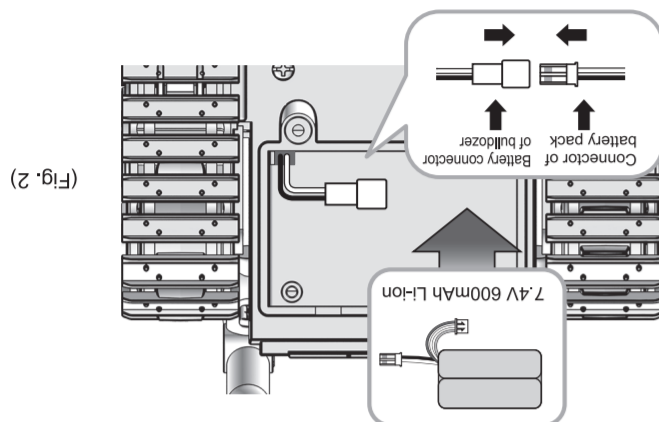
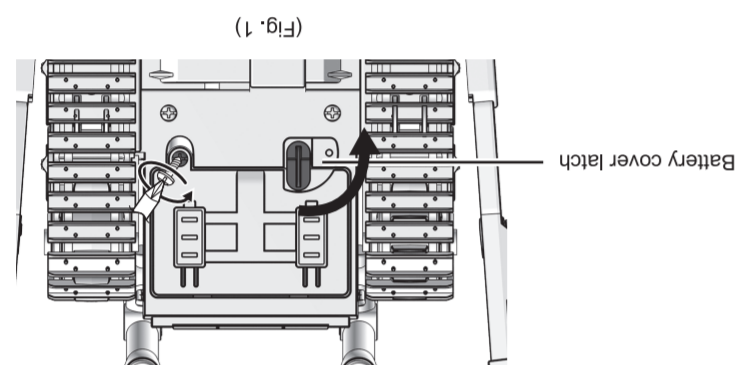


3. Install the battery cover, tighten the screw and twist the buckle back.(Fig. 3)



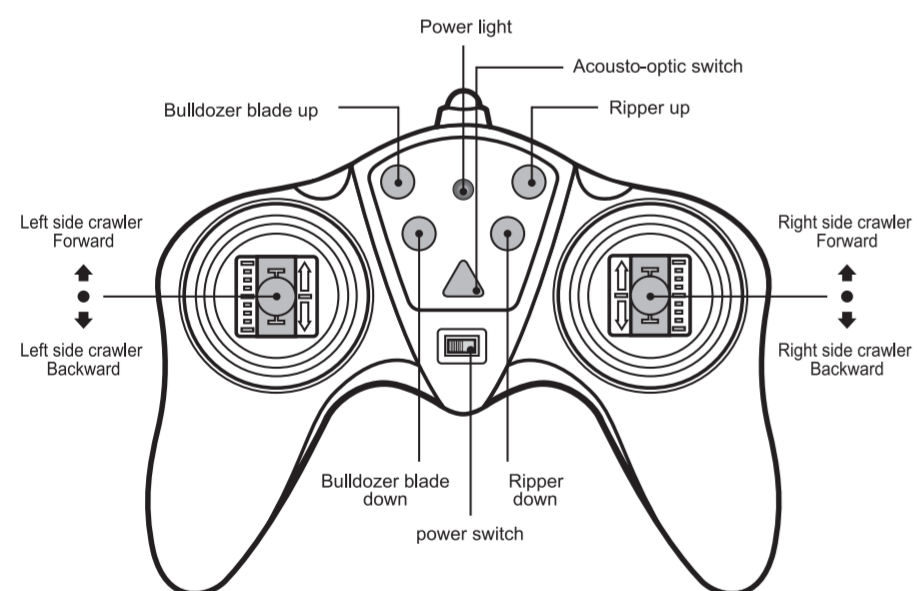
2. Connect Li-Ion with power port of bulldozer, then put it into the battery box.(Fig. 2)



1. Loosen screw on battery cover by screwdriver, twist the buckle and take out battery cover.(Fig. 1)

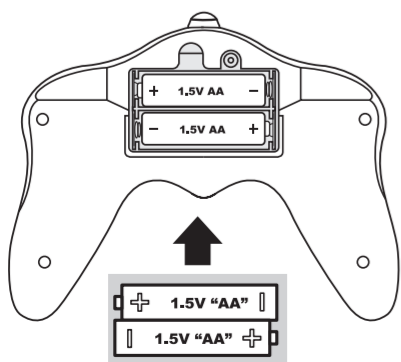
BULLDOZER BATTERY INSTALLATION

OPERATION OF REMOTE CONTROL

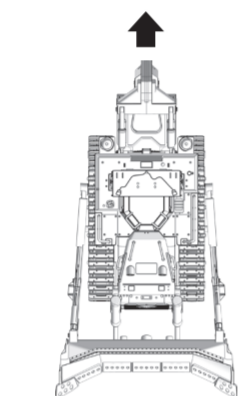
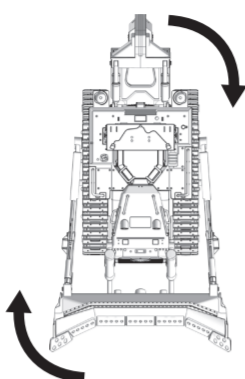
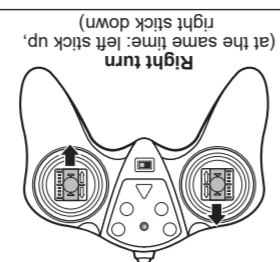


INSTALLATION INSTRUCTIONS OF REMOTE CONTROL BATTERY

1. Loosen the battery cover screw with a screwdriver and remove the battery cover.
2. Load 2x 1.5V "AA" batteries (batteries shall be purchased separately) into the battery box at the bottom of the remote control according to the correct polarity.
3. Close the battery cover and tighten the screws.

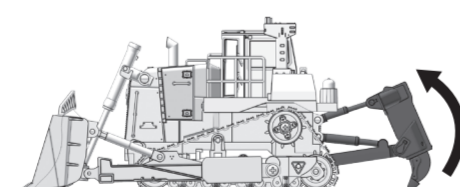
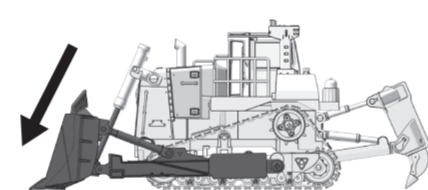
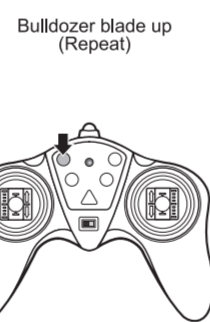
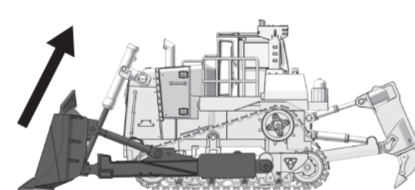


Note: The battery shall be inserted with the correct polarity.

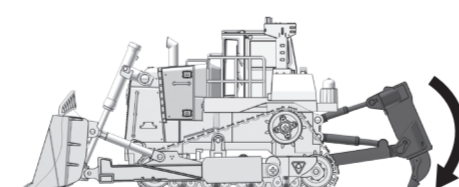
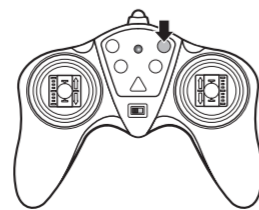


OPERATING INSTRUCTIONS OF BULLDOZER

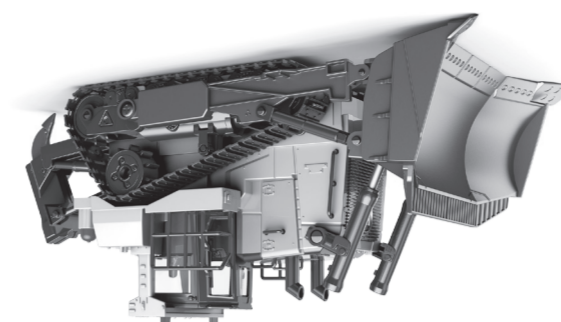
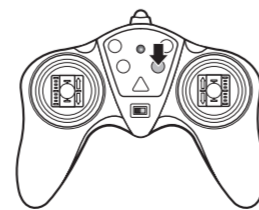
OPERATING INSTRUCTIONS OF BULLDOZER



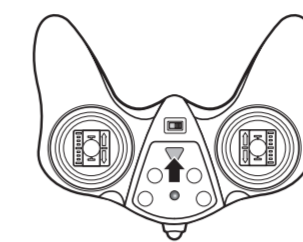
Ripper up



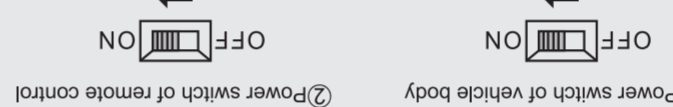
Ripper down



Turn sound and light on or off



CONTROL OF LIGHT AND SOUND



The product is remotely controlled with 2.4GHz frequency. For the first operation, the user must install the battery on the vehicle body and the remote control first, then make sure to power on, turn on the power to pair the frequency automatically. When the indicator light of the remote control stops flashing, the vehicle will make a "tick" sound, that is, the frequency pairing is completed. If the vehicle does not respond to the remote control, the user can turn off the power of remote control and vehicle, turn on the power of remote control and vehicle again to match again (same steps as above).

FREQUENCY PAIRING AND POWER ON OF REMOTE CONTROL

Declaration of Conformity

This product has been manufactured according to actual technical standards. The product is matching the requirements of the existing European and national guidelines. The Declaration of Conformity has been proofed. AMEWI Trade e.K. declares that this product is matching the basic requirements and remaining regulations of the guideline 2014/53/EU (RED). The declarations and documents are stored at the manufacturer and can be requested and applied there.

The full text of the declaration of conformity can be found at: <https://amewi.com/konformitaetserklaerungen>

For additional questions to the product and conformity please contact:
AMEWI Trade e.K. Nikolaus-Otto-Str. 18, 33178 Borchon or via the website amewi.com



Security and Hazard Warnings

- Warning!** For damage, caused by disregarding of the manual, warranty expires! We are not liable for secondary failures, material or personal damage, caused by improper usage or disregarding the security notices.
- Warning!** Based on security and registration (CE) reasons, it is forbidden to modify the product personally. Do not disassemble the product.
- Warning!** Small parts. Danger of suffocation or risk of injury caused by small parts.



The product is not allowed to get moist or wet.
Even a drop down from a small height can cause damage to the product.

Battery Notice and Battery Disposal

Warning! Battery do not belong in childrens hands. A change of the battery has to be done by an adult person. Never mix chargeable batteries with non-chargeable batteries. Never mix fully charged batteries with almost empty batteries. Never mix batteries of different capacities. Never try to charge dry batteries. Take care of the correct polarity. Defective batteries belong to special waste. Never leave a charging battery unattended. For questions about the charging time please read the manual or ask the manufacturer.



The company AMEWI is registered below the WEEE Reg. Nr. DE93834722 at the foundation EAR and recycles all used electronic parts properly. Electric and electronic products are not allowed to put in household garbage. Please dispose the product at the end of the lifetime according to the actual laws. You as a customer are responsible by law for the return of all used batteries, a disposal over the household garbage is forbidden!



Batteries containing hazardous substances are marked with the alongside symbols, which point to the prohibition of disposal in household garbage.

Additional notations for the critical heavy metal are: Cd=Cadmium, Hg=Quecksilver, Pb=lead (Label is placed on the batteries, for example below the bottom left trash symbols).



Based on RoHS labeling the manufacturer confirms, that all limit values were taken care of at the time of manufacturing.



Batteries labeled with the recycling symbol can be put into used battery collecting tank.
(Most supermarkets have)
They are not allowed to be put into local household garbage.



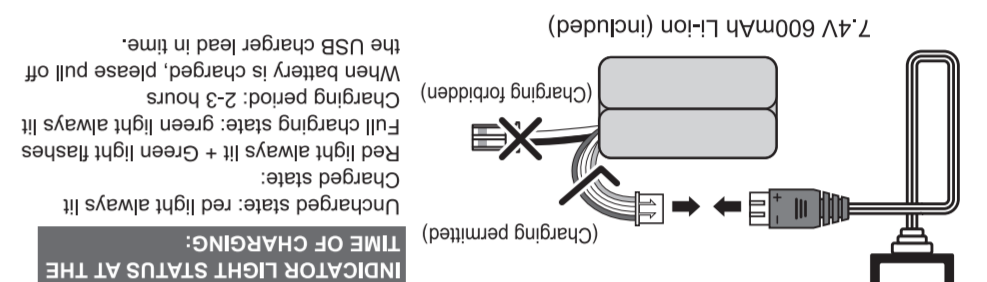
AMEWI Trade e.K. is involved in the dual system for boxing over the company Firma Landbell AG. All used boxes are collected from partner companies (waste disposal contractor) at private customers (local household), sorted and properly utilized. The Involvement in a Dual Systems helps to save CO₂ Emissions.

- In order to protect the environment, damaged batteries should be properly disposed of in accordance with regional or national waste regulations, deal with.
- Please do not charge a damaged lithium battery. It may cause battery expansion, deformation, explosion or fire.
- To prevent injury, keep the battery out of the reach of children.
- Please charge the battery within the visible range. Never stay away from the battery that is being charged.
- Because it is likely to cause an explosion or fire, it is strictly prohibited to use a charger other than the original charging cable to charge the lithium battery. It is strictly forbidden to disassemble, bump, burn, reverse the positive and negative poles of the battery. Avoid metal objects and The positive and negative poles of the battery are in contact. It is strictly prohibited to pierce the battery with sharp objects to avoid the risk of battery fire.
- Our company will not be responsible for all losses caused by incorrect use of lithium batteries.
- If the lithium battery is used incorrectly, there may be a danger of spontaneous combustion.

Safe Usage Instructions for Li-Ion

1. The battery must be charged with a dedicated USB charging cable.
2. The USB charging cable must be connected to a 5V USB power adapter.
3. Because the damaged lithium battery may ignite spontaneously, please do not charge it.
4. The battery must be charged according to the specified method. If the lithium battery is used incorrectly, there is a high risk of spontaneous combustion.

Precautions Of Li-Ion



TIME OF CHARGING:
(Charging permitted)
Uncharged state: red light always lit
Charged state:
Red light always lit + Green light flashes
Full charging state: green light always lit
Charging period: 2-3 hours
When battery is charged, please pull off the USB charger lead in time.

BATTERY/USB PARAMETERS	
Battery specifications:	14500
charging port, as shown in the Figure, and ensure port can be connected tightly and correctly, then insert the USB charging plug into power adapter, and perform charging.	7.4V 600mAh Li-Ion
Intelligent USB balance charger with overcharge protection	Input: 5.0V 1-2A
Output: 4.2V 800mAh x2	

BATTERY CHARGING INSTRUCTIONS

CHARGING METHODS

Connect the white port of Li-Ion to USB charging port, as shown in the Figure, and ensure port can be connected tightly and correctly, then insert the USB charging plug into power adapter, and perform charging.

INDICATOR LIGHT STATUS AT THE TIME OF CHARGING:

(Charging permitted)
Uncharged state: red light always lit
Charged state:
Red light always lit + Green light flashes
Full charging state: green light always lit
When battery is charged, please pull off the USB charger lead in time.

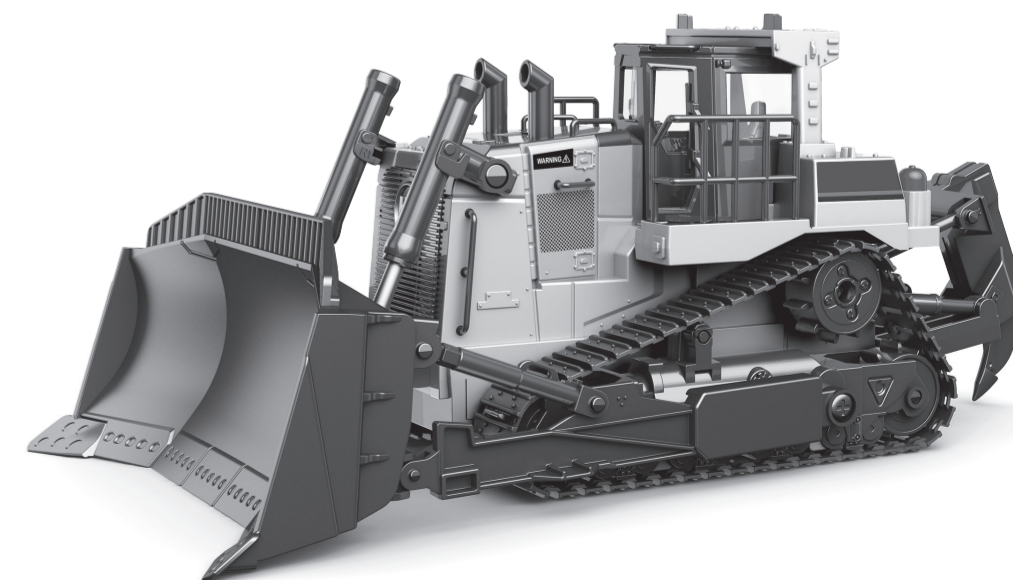
USE MANUAL



8+ AGES

PROFESSIONAL R/C BULLDOZER WITH 9 FUNCTIONS

Item No.: 22518



AMEWI TRADE e.K.
Nikolaus-Otto-Str. 18, 33178 Borchon
amewi.com; info@amewi.com