

CROUZET SOLID STATE RELAYS - PANEL MOUNT PRODUCTS have been developed to offer all the advantages of electronic switching technology. The 44.8 mm hockey puck industrial housing is quick to install. The product is compact and reliable. Please refer to the data sheet available on www.crouzet.com

AC OUTPUT

GN2

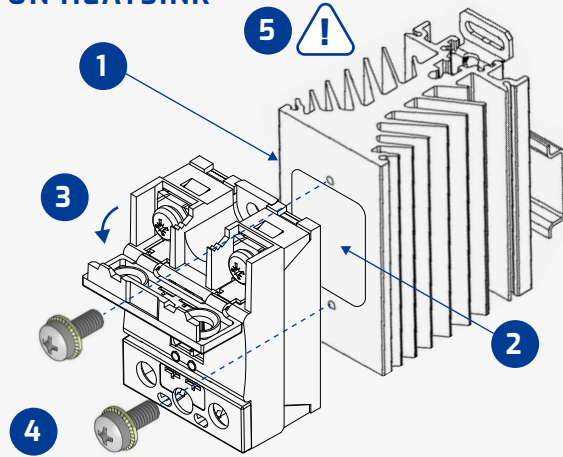


Panel mount - AC Output Dual Channel

- 25 and 50 Amps
- 2 independent SSRs in one package
- Zero-Voltage Turn-On and Instantaneous (Random) Turn-On
- cRUus, CE and UKCA Recognized

MOUNTING INSTRUCTIONS

ON HEATSINK

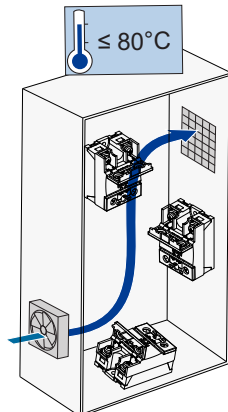


M4 x 12 mm / 1.2 Nm mini

1. Select the adequate heatsink (see thermal curves on product datasheet).
2. Use thermal pad or thermal grease between the SSR and heatsink (0.06 mm of thickness).
3. Open the removable cover.
4. Two screws (Ø 4x12 mm) are needed to mount the SSR on the heatsink.
5. For optimal thermal performance heatsink fins should be oriented vertically to promote the perfect convection airflow.

MOUNTING ON PANEL

1. Before mounting the SSR, locate the panel section. The surface must provide adequate heat sinking capability - preferably aluminum, uncoated, flat and clean.
2. Recommended to use a thermal pad or thermal grease between the SSR and the panel.
3. SSR mounting slots have a diameter of 4.7 mm. Please use two screws to mount on the panel.
4. Be sure to tighten both screws until they contact the baseplate before applying full torque (1.2 Nm).



PART NUMBER NOMENCLATURE

| | Channels | Output Current | Control Voltage | Connectivity | Generation |
|------------|-------------------------------|--|---|---|---------------|
| | 84140 | 0 | 1 | 0 | N |
| GN2 | 84140: Dual Channel | 0: 25 A 6: 50 A 8: 25 A Fast-on | 0: 4-32 V _~ Zero Cross 1: 10-30 V _~ Zero Cross 3: 10-30 V _~ Instantaneous | 0: Fast-on Zero Cross 1: Screws Instantaneous 3: Screws Zero Cross | N: New |

CONNECTION

OUTPUT WIRING

NUMBER OF WIRES -
Direct connection with wires with or without ferrules

| 1 | | 2 | | Recommended Tightening Torque M5 screw N.m Min 2 / Typ 2.4 / Max 3 |
|--|--|--|--|--|
| SOLID (No ferrule) | STRANDED (With ferrule) | SOLID (No ferrule) | STRANDED (With ferrule) | |
| | | | | |
| 1.5..10 mm ² AWG16..AWG8 | 1.5..6 mm ² AWG16..AWG10 | 1.5..10 mm ² AWG16..AWG8 | 1.5..6 mm ² AWG16..AWG10 | |

INPUT WIRING

NUMBER OF WIRES -
Direct connection with wires with or without ferrules

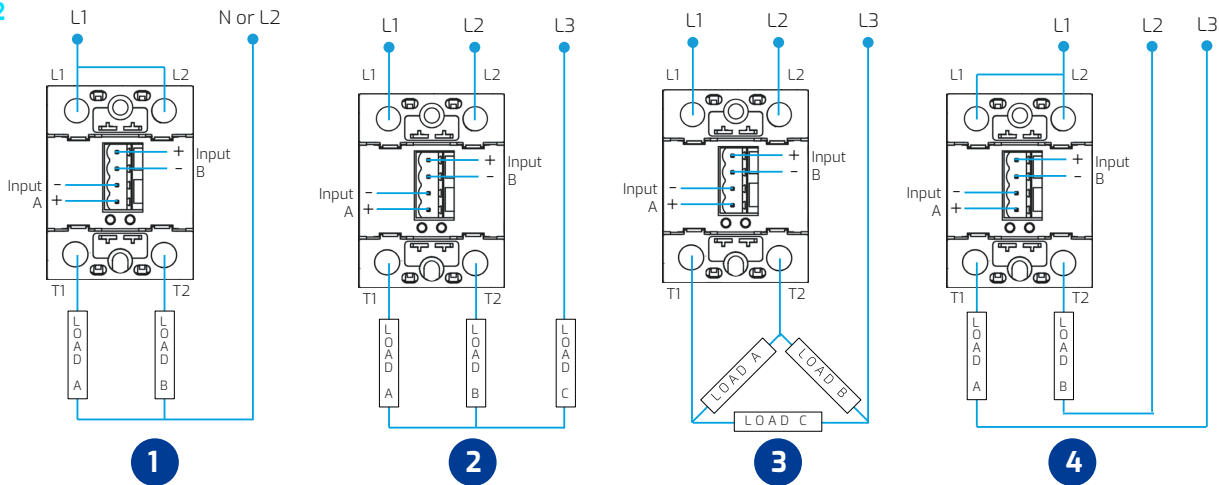
| 1 | | Recommended Tightening Torque Min 0.4 / Max 0.5 |
|--|--|--|
| SOLID (No ferrule) | STRANDED (With ferrule) | |
| | | |
| 0.2..2.5 mm ² AWG26..AWG12 | 0.2..2.5 mm ² AWG26..AWG12 | |

SCREWDRIVER TYPE: POZIDRIV 2

WARNING: The user should protect heat sensitive materials as well as people against any contact with the heatsink. For correct cooling, the SSR needs air convection. Less air convection produces an abnormal heating. In the event there is no space between two SSRs, reduce the load current. Forced cooling (ex. fan inside the cabinet) significantly improves the thermal performance. Heatsink temperature should never exceed 90 °C.

WIRING DIAGRAMS

GN2



1. Single-phase wiring
2. Star connection (balanced low voltage loads without neutral)
3. Delta connection (high voltage loads)
4. Open Delta connection (high voltage loads)

It's recommended to use external overvoltage protection (Varistor / TVS Diode) and short-circuit protection (fuse / circuit breaker), if they are not already integrated.

RECOMMENDED ACCESSORIES

| TYPE | DESCRIPTION | P/N |
|--|------------------------------|-----------|
| Heatsinks For Panel Mount Versions | 0.9 °C/W Thermal Resistance | 26532752N |
| | 1.1 °C/W Thermal Resistance | 26532753N |
| | 1.2 °C/W Thermal Resistance | 26532754N |
| | 1.75 °C/W Thermal Resistance | 26532755N |
| | 2.2 °C/W Thermal Resistance | 26532756N |
| DIN-Rail Adapter For 1-phase SSR | | 26532764N |
| Thermal Pads Heatsink Mounting | Pre-cut thermal pad | 26532720N |
| | Self-adhesive thermal pad | 26532722N |
| Screws Heatsink Mounting | Screw Mounting Kit | 26532001 |

| TYPE | DESCRIPTION | P/N |
|--|------------------------------|----------|
| Thermal Grease Heatsink Mounting | Thermal Grease | 26532003 |
| ID Tag For Panel Mount Versions | Label for SSR Identification | 26532004 |
| Connectors 4-Pin connector | 4 pole 90° & 270° | 26532005 |
| Connectors 4-Pin connector | 4 pole 270° | 26532006 |

IMPORTANT CONSIDERATIONS

Electrical equipment should be installed, operated, serviced and maintained only by qualified personnel. No responsibility is assumed by Crouzet for any consequences arising out of use of this manual. Be sure to use input and output voltage within operating ranges.

⚠ WARNING: The product's side panels may be hot, allow the product to cool before touching. Please follow mounting instructions. Failure to follow these instructions can result in serious injury or equipment damage.

TRANSIENT VOLTAGE

In AC power lines, transient voltages are common and may pose a risk for the operation, load and reliability of the SSR. In Crouzet SSR, the transient protection can rise 1600 V (please refer to product datasheet).

User may also use external transient protection to the SSR for additional protection (please refer to product datasheet).

WARNING

RISK OF MATERIAL DAMAGE AND HOT ENCLOSURE

- Confirm that the product power supply voltage and its tolerances are compatible with those of the electrical network.
- The product's side panels may be hot, allow the product to cool before touching.
- Follow proper mounting instructions including torque values.
- Do not allow liquids or foreign objects to enter this product.

⚠ DANGER

HAZARD OF ELECTRIC SHOCK, EXPLOSION OR ARC FLASH
Turn off power supply before working on this equipment.
Failure to follow these instructions can result in death, serious injury or equipment damage.