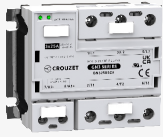


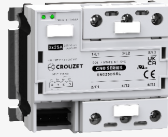
CROUZET SOLID STATE RELAYS - PANEL MOUNT PRODUCTS have been developed to offer all the advantages of electronic switching technology. The 84.4 mm industrial housing is quick to install. The product is compact and reliable. Please refer to the data sheet available on www.crouzet.com

AC OUTPUT

GN3



GN0



Panel mount - AC Output Multichannel

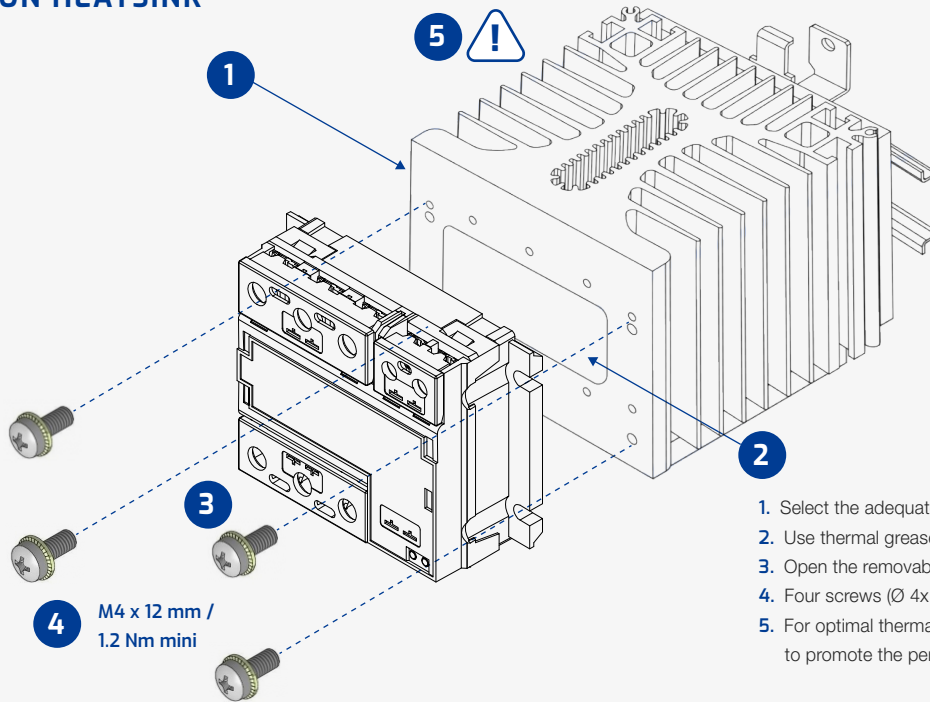
- GN3 for frequent start/stop operation of 3-Phase motors or heaters
- GN0 for start, stop & reverse, all-in-one product
- 25A and 50A versions available
- Built-in overvoltage protection
- IP20 touch-safe housing
- cRUus, CE and UKCA Recognized

PART NUMBER NOMENCLATURE

	Series	Output Current	Control Voltage	Overvoltage Protection	Switching Type	Output Voltage		Series	Output Current	Control Voltage	Overvoltage Protection	Switching Type	Output Voltage
	GN3	25	D	S	R	H		GN0	25	D	S	R	L
GN3	GN3: GN3 Series	25: 25A 50: 50A	A: 24-255 V~ D: 4-32 V---	S: Yes	R: Instantaneous Z: Zero Cross	H: 24-510 V~		GN0	GN0: Three Phase Reverse	25: 25A 50: 50A	D: 12-30 V---	S: Yes	R: Special Zero Cross L: 24-510 V~

MOUNTING INSTRUCTIONS

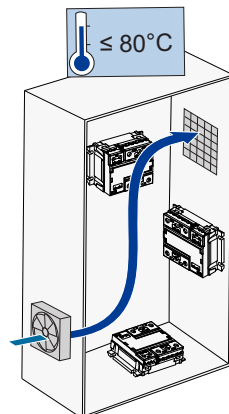
ON HEATSINK



1. Select the adequate heatsink (see thermal curves on product datasheet).
2. Use thermal grease between the SSR and heatsink (0.06 mm of thickness).
3. Open the removable cover.
4. Four screws (Ø 4x12 mm) are needed to mount the SSR on the heatsink.
5. For optimal thermal performance heatsink fins should be oriented vertically to promote the perfect convection airflow.

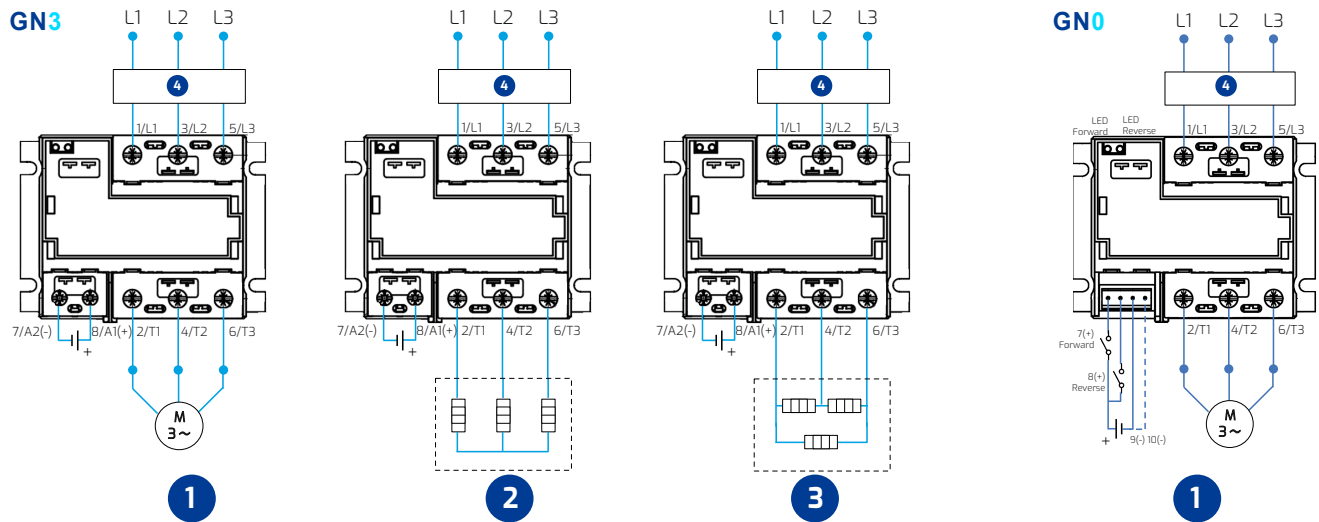
MOUNTING ON PANEL

1. Before mounting the SSR, locate the panel section. The surface must provide adequate heat sinking capability - preferably aluminum, uncoated, flat and clean.
2. Recommended to use thermal grease between the SSR and the panel.
3. SSR mounting slots have a diameter of 5.3 mm. Please use four screws to mount on the panel.
4. Be sure to tighten the screws until they contact the baseplate before applying full torque (1.5 Nm).



! WARNING: The user should protect heat sensitive materials as well as people against any contact with the heatsink. For correct cooling, the SSR needs air convection. Less air convection produces an abnormal heating. In the event there is no space between two SSRs, reduce the load current. Forced cooling (ex. fan inside the cabinet) significantly improves the thermal performance. Heatsink temperature should never exceed 90 °C.

WIRING DIAGRAMS



- 1. Wiring to control a 3-phase motor
- 2. Wiring to control heaters connected in star
- 3. Wiring to control heaters connected in delta
- 4. Protection Equipment

CONNECTION

RECOMMENDED ACCESSORIES

OUTPUT WIRING

NUMBER OF WIRES - Direct connection with wires with or without ferrules

1		2		Recommended Tightening Torque M5 screw N.m Min 2 / Typ 2.4 / Max 3
SOLID (No ferrule)	STRANDED (With ferrule)	SOLID (No ferrule)	STRANDED (With ferrule)	
1.5..10 mm ² AWG16..AWG8	1.5..6 mm ² AWG16..AWG10	1.5..10 mm ² AWG16..AWG8	1.5..6 mm ² AWG16..AWG10	

INPUT WIRING

NUMBER OF WIRES - Direct connection with wires with or without ferrules

1 & 2 GN3		1 & 2 GNO		Recommended Tightening Torque M5 screw N.m Min 1.2 / Typ 1.7 / Max 2
SOLID (No ferrule)	STRANDED (With ferrule)	SOLID (No ferrule)	STRANDED (With ferrule)	
0.75..2.5 mm ² AWG18..AWG14	0.75..2.5 mm ² AWG18..AWG14	0.2..2.5 mm ² AWG26..AWG12	0.2..2.5 mm ² AWG26..AWG12	

SCREWDRIVER TYPE: POZIDRIV 2

TYPE	DESCRIPTION	P/N
	Heatsinks For Panel Mount Versions 0.9 °C/W Thermal Resistance 1.2 °C/W Thermal Resistance	26532752N 26532754N
	DIN-Rail Adapter For DIN Rail	26532765N
	ID Tag For Panel Mount Versions	26532004
	Screws Heatsink Mounting	26532002
	Thermal Grease Heatsink Mounting	26532003

IMPORTANT CONSIDERATIONS

Electrical equipment should be installed, operated, serviced and maintained only by qualified personnel. No responsibility is assumed by Crouzet for any consequences arising out of use of this manual. Be sure to use input and output voltage within operating ranges.

! WARNING: The product's side panels may be hot, allow the product to cool before touching. Please follow mounting instructions. Failure to follow these instructions can result in serious injury or equipment damage.

WARNING

RISK OF MATERIAL DAMAGE AND HOT ENCLOSURE

- Confirm that the product power supply voltage and its tolerances are compatible with those of the electrical network.
- The product's side panels may be hot, allow the product to cool before touching.
- Follow proper mounting instructions including torque values.
- Do not allow liquids or foreign objects to enter this product.

DANGER

HAZARD OF ELECTRIC SHOCK, EXPLOSION OR ARC FLASH

Turn off power supply before working on this equipment.
Failure to follow these instructions can result in death, serious injury or equipment damage.