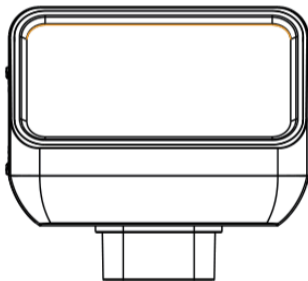


User Manual

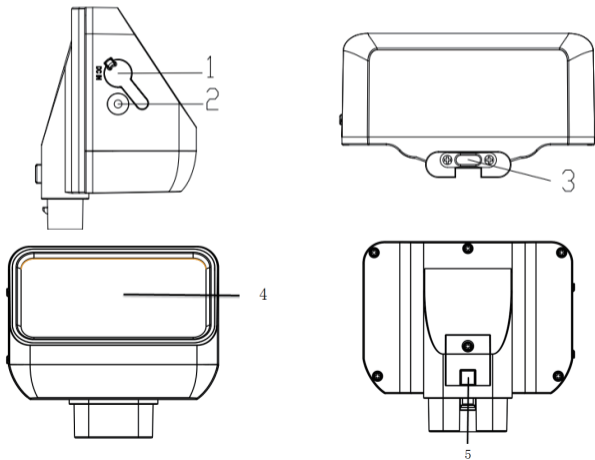


Function description

This product is a solar power bank used for hunting cameras:

- it can charge the battery under the sun outside
- The battery inside the solar panel can be charging with the adapter

Introduction



- 1.DC IN
- 2.LED indicator
- 3.DC OUT(TYPE-C)
- 4.Solar panels
- 5.Lock switch

Function declaration:

1.DC IN: it can charge the solar bank with an adapter(DC 2V/1A, Spec.: Φ 2.5mm/0.65mmw stylet)

2.DC OUT: Solar DC output to Hunting Camera,(TYPE-C port, install on top of machine)

3.LED indicator: When the adapter recharges the solar power, the red light is on, once fully, the red light is off. when the solar bank is recharged, the blue light is on, once fully, the blue light is off

4.Solar panels: When the sun shines on the solar panels, the panels can convert light energy into electricity to recharge the battery

5.Lock switch: Align the clasp position, Press down the solar bank, the Lock snap automatically, Press the lock button to pull out the solar bank

Installation and Attention

- Chen installing solar panels, don't let other leaves and objects hold the sun's rays where the sun can shine. It's best to install them in the open place
- Connect the connection line from the DC out of the solar bank to the camera DC IN, then it can be used
- About the solar bank, if there is any ports not to use, please cover the hole with the silicone to prevent leakage into the machine inside

Parameter

Product	Solar Power Bank
DC IN	12 V/DC 1A
DC OUT	DC 6.0V/2A Max (TYPE-C port)
Capacity	3.6V 2500mAh 18650 Li-ion
Over charge protection	Yes
Over discharge protection	Yes
Water resistant	IP65
Operating /storage temperature	-20°C to +60°C
Dimension	97x70x43 mm

Note: Product design specifications are based on the latest information at the time of writing this manual. Subject to change without notice, please refer to the actual camera.