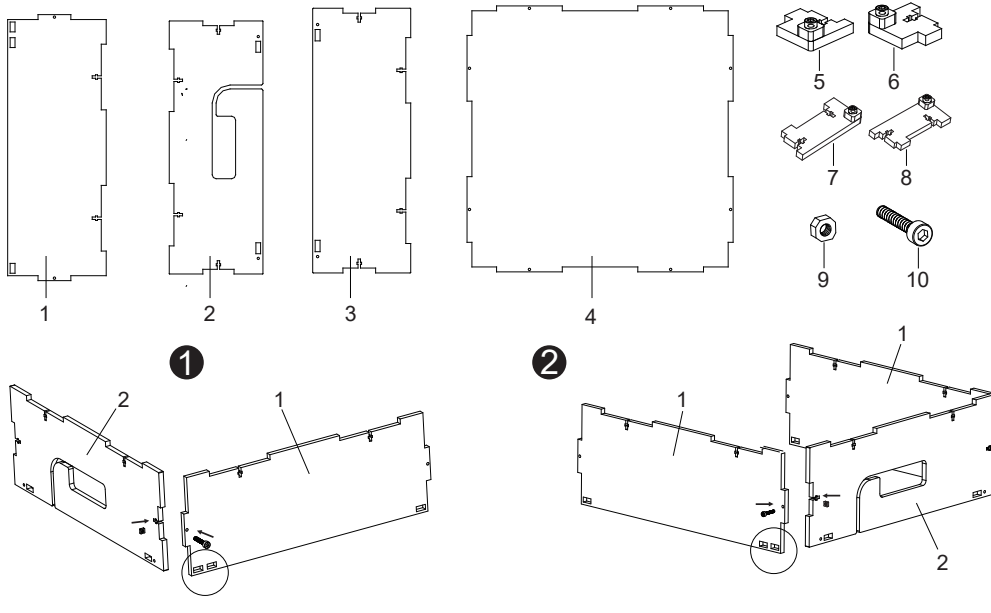
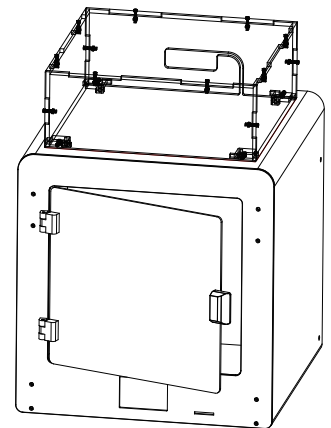
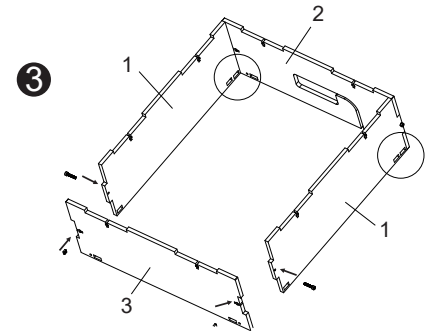
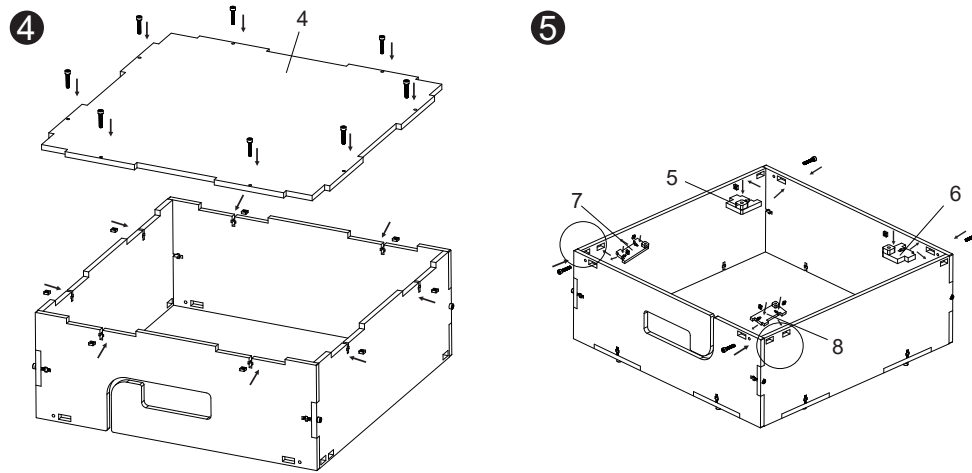


## Housing



- |                            |     |
|----------------------------|-----|
| 1. Left & Right panel      | 2x  |
| 2. Back panel              | 1x  |
| 3. Front panel             | 1x  |
| 4. Top panel               | 1x  |
| 5. Right front fixed block | 1x  |
| 6. Left back fixed block   | 1x  |
| 7. Left front fixed block  | 1x  |
| 8. Right back fixed block  | 1x  |
| 9. M3 hex nut              | 18x |
| 10. M3 x 15 Screw          | 18x |

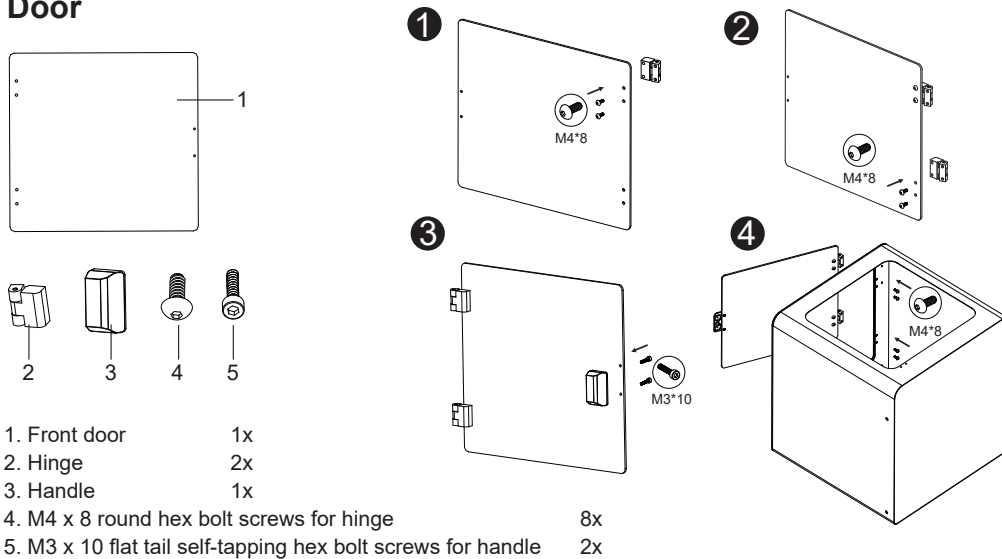
Put it together as a square, then fasten the screws.



Pay attention to the direction of the 4pcs of fixed blocks.

The installation is done.

## Door



- |  |    |
|--|----|
| 1. Front door  | 1x |
| 2. Hinge   | 2x |
| 3. Handle  | 1x |
| 4. M4 x 8 round hex bolt screws for hinge                    | 8x |
| 5. M3 x 10 flat tail self-tapping hex bolt screws for handle | 2x |

This is a publication by Conrad Electronic SE, Klaus-Conrad-Str. 1, D-92240 Hirschau ([www.conrad.com](http://www.conrad.com)).

All rights including translation reserved. Reproduction by any method, e.g. photocopy, microfilming, or the capture in electronic data processing systems require the prior written approval by the editor. Reprinting, also in part, is prohibited. This publication represent the technical status at the time of printing.

© Copyright 2021 by Conrad Electronic SE.