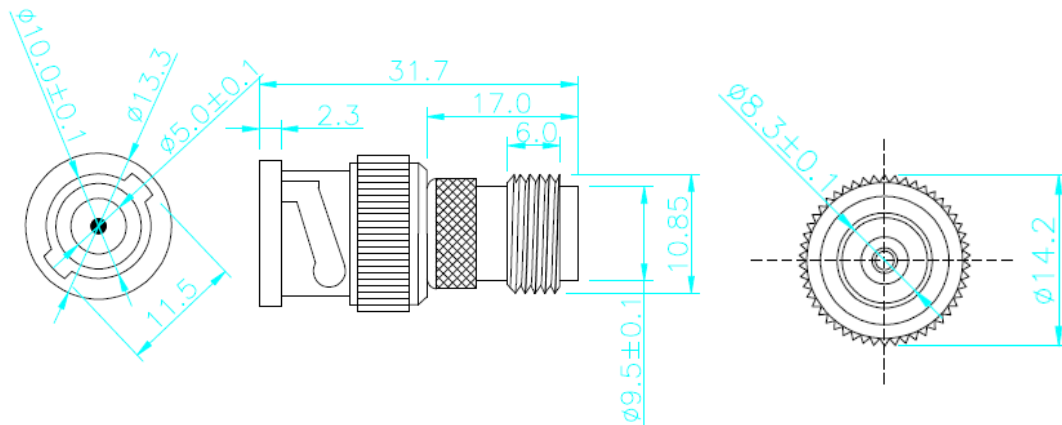


Data Sheet

BNC plug – TNC jack



Technical data

Connector: TNC socket to BNC plug

Impedance: 50 Ω

Material: Brass, nickel plated

Insulation material: PTFE