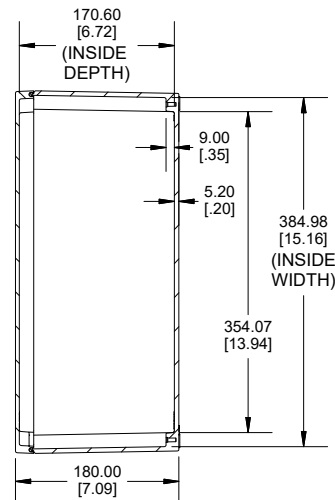
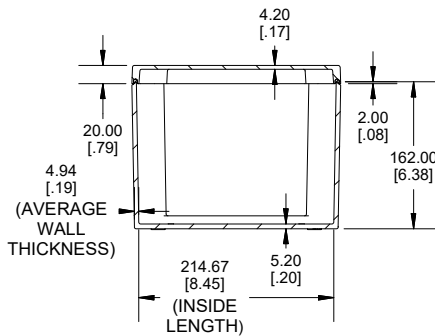
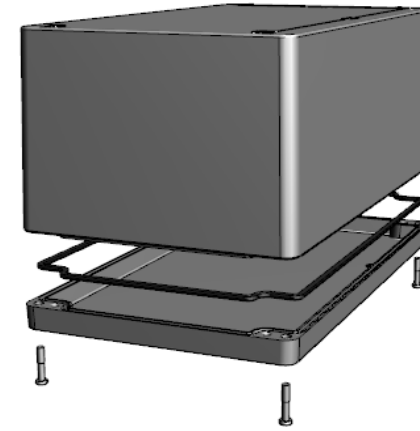


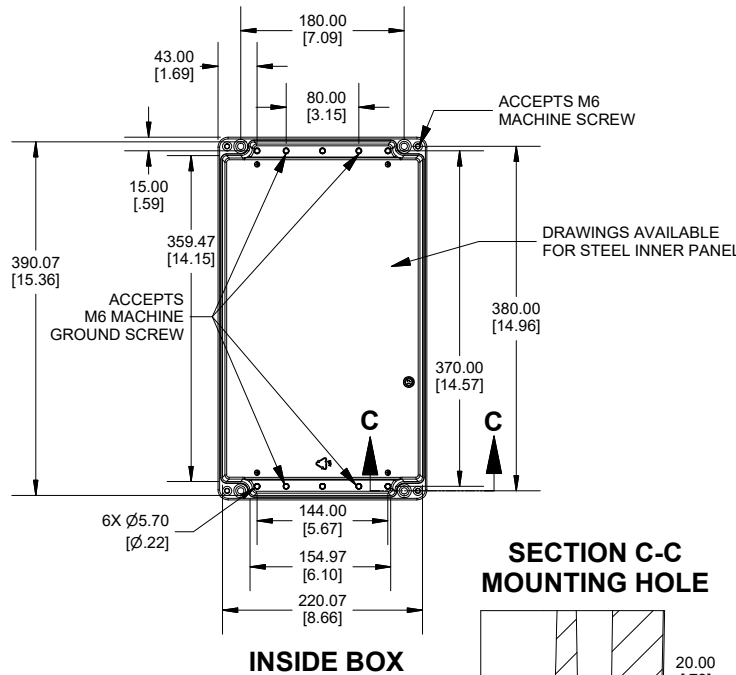
TOP VIEW



**SECTION A-A
END VIEW**

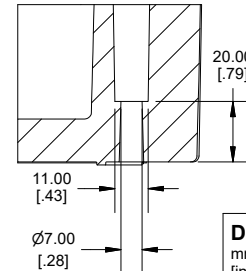


**SECTION B-B
SIDE VIEW**

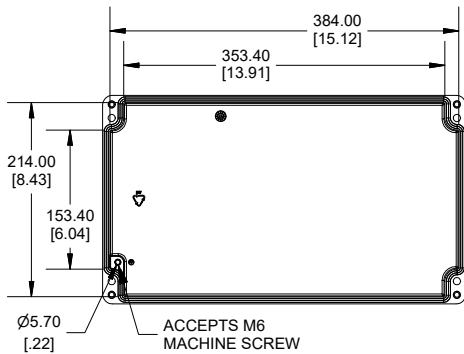


INSIDE BOX

**SECTION C-C
MOUNTING HOLE**



Dimensions:
mm
[inches]



INSIDE LID

UL US LISTED
FILE #E65324
NEMA 4, 4X, 6, 6P

Enclosures can be Factory Modified (Milling, Drilling, Printing etc.)
Contact Factory (modshop@hammfg.com) for quotes
Solid models of this enclosure available in .stp or .x_t
(Part number and text placement/orientation on our products are subject to change,
we do not recommend using them as a locating reference for modification purposes)

NOTE	
Purchased assembly includes box, lid, silicone gasket, 4 cover screws and 4 ground screws with washers. Box and lid are made from Diecast Aluminum Alloy.	
Recommended cover screw Torque 17.7-18.6 lbf.in (200 -210 cN.m)	
1590Z250	
1590Z250 Enclosure	
Natural Enclosure	1590Z250
Black Enclosure	1590Z250BK
Grey Enclosure - RAL7001 Gloss	1590Z250GY
ACCESSORIES	
Steel Inner Panel	1590Z250PL
Pre-Formed Silicone Gasket (2 Pack)	1590Z250G
Copper Ground Hardware (20 Pack) [M6 - 1.0 X 10mm / M6 Washer]	SCGM6-20
Stainless Steel Cover screws (12pkg) [M6 - 1.0 x 28mm]	SC599-12

**HAMMOND
MANUFACTURING®**
1590Z250
www.hammondmfg.com