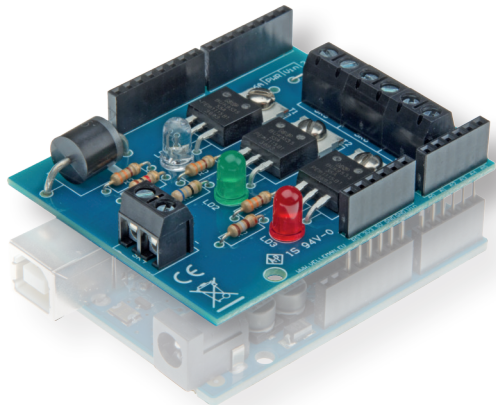


VMA01

MANUAL HVMA011

RGB Shield for Arduino®

velleman®
MODULES



Control 3 dimmer channels (1 x RGB or 3 single channels) with Arduino Uno™.

Features

- For use with Arduino Due™, Arduino Uno™, Arduino Mega™
- RGB indicator leds
- Screw terminals for led strip connection.
- With cascade connectors for other shields
- Selectable power supply: external power or power from Arduino Uno™ board

Specifications

- Max. current: 2A/channel
- Max. input voltage: 50VDC
- Dimensions: 68 x 53mm / 2.67 x 2.08"



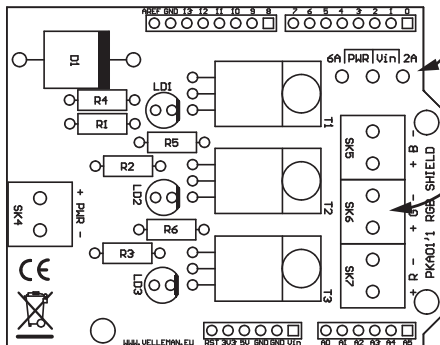


Participate our Velleman Projects Forum

6= Blue
5= Green
3= Red

1 EXTERNAL POWER SUPPLY INPUT

Max. 50VDC/6A

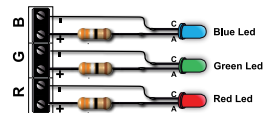
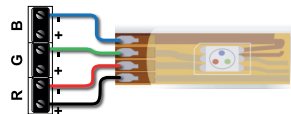


2 SELECT POWER SOURCE

Vin: Power from Arduino (max. 2A)

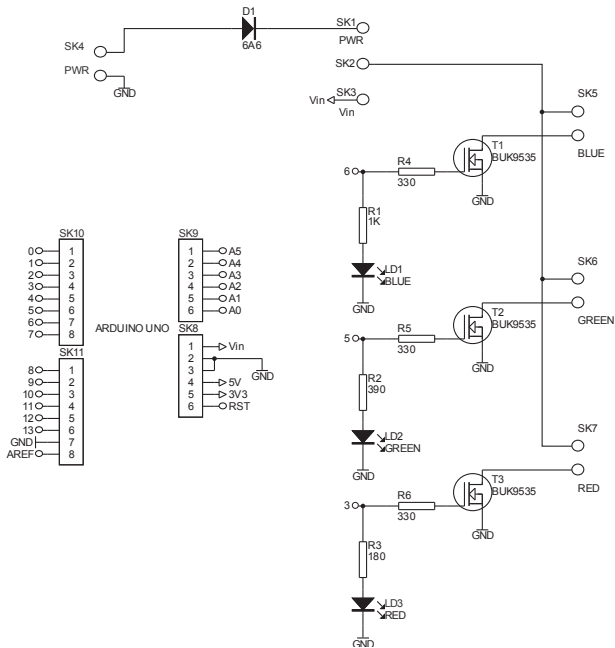
PWR: Power from external supply (max. 50VDC/6A)

3 RGB OUTPUTS



Current limit resistor

DOWNLOAD SAMPLE CODE FROM KA01 PAGE ON WWW.VELLEMAN.BE





The new Velleman Projects catalogue is
now available. Download your copy here:
www.vellemanprojects.eu



Modifications and typographical errors reserved - © Velleman nv. HVMA01
Velleman NV, Legen Heirweg 33 - 9890 Gavere.