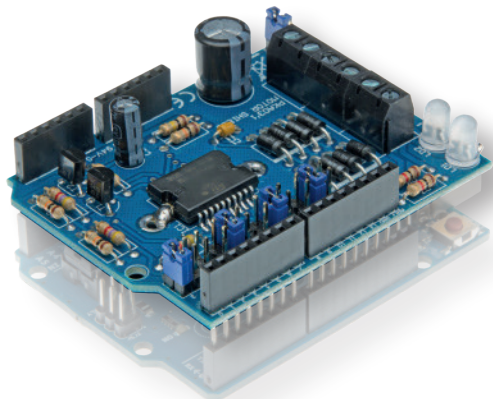


# VMA03

MANUAL HVMA03\*1

## Motor & Power shield Arduino®

velleman®  
MODULES



**Power shield that can drive: relays, solenoids, DC and stepper motors**

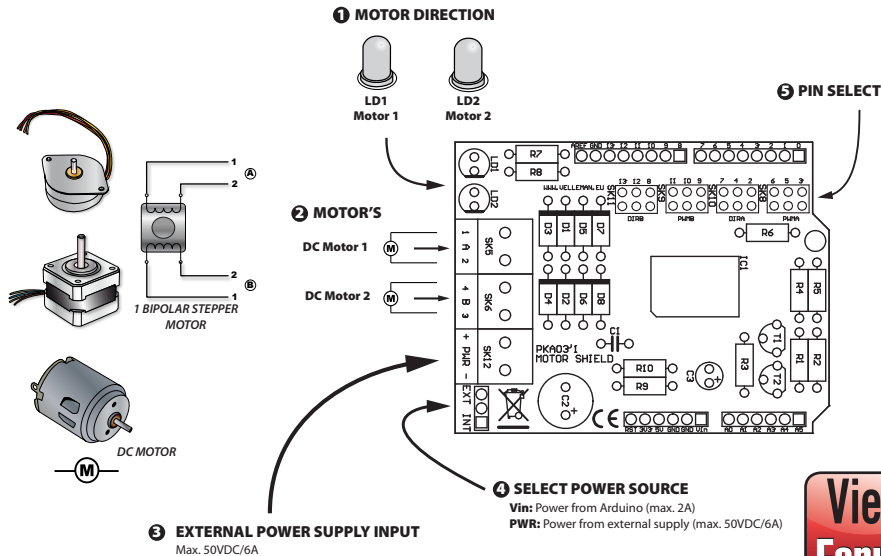
### Features

- For use with Arduino Due™, Arduino Uno™, Arduino Mega™
- Based on L298P dual full bridge driver IC
- Outputs: up to 2 DC motors or 1 bipolar stepper motor
- Power supply: external power or power from Arduino board

### Specifications

- Power supply: 7..46VDC
- Max current: 2A
- Dimensions: 68 x 53mm / 2.67 x 2.08"

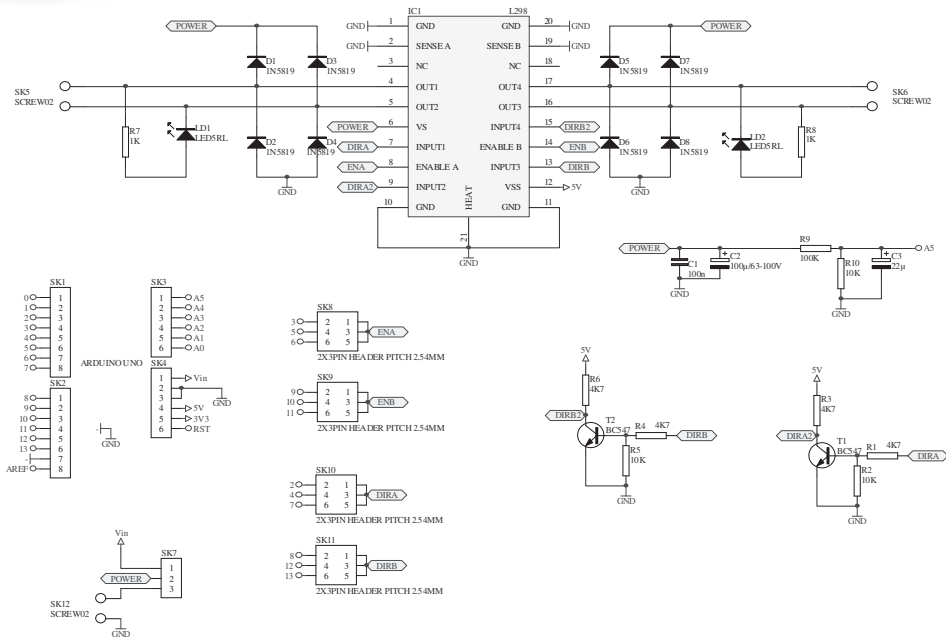


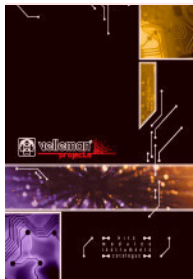


**DOWNLOAD SAMPLE CODE FROM KA03 PAGE ON WWW.VELLEMAN.BE**



Participate our Velleman Projects Forum





The new Velleman Projects catalogue is  
now available. Download your copy here:

**[www.vellemanprojects.eu](http://www.vellemanprojects.eu)**



Modifications and typographical errors reserved - © Velleman nv. HVMA03  
Velleman NV, Legen Heirweg 33 - 9890 Gavere.