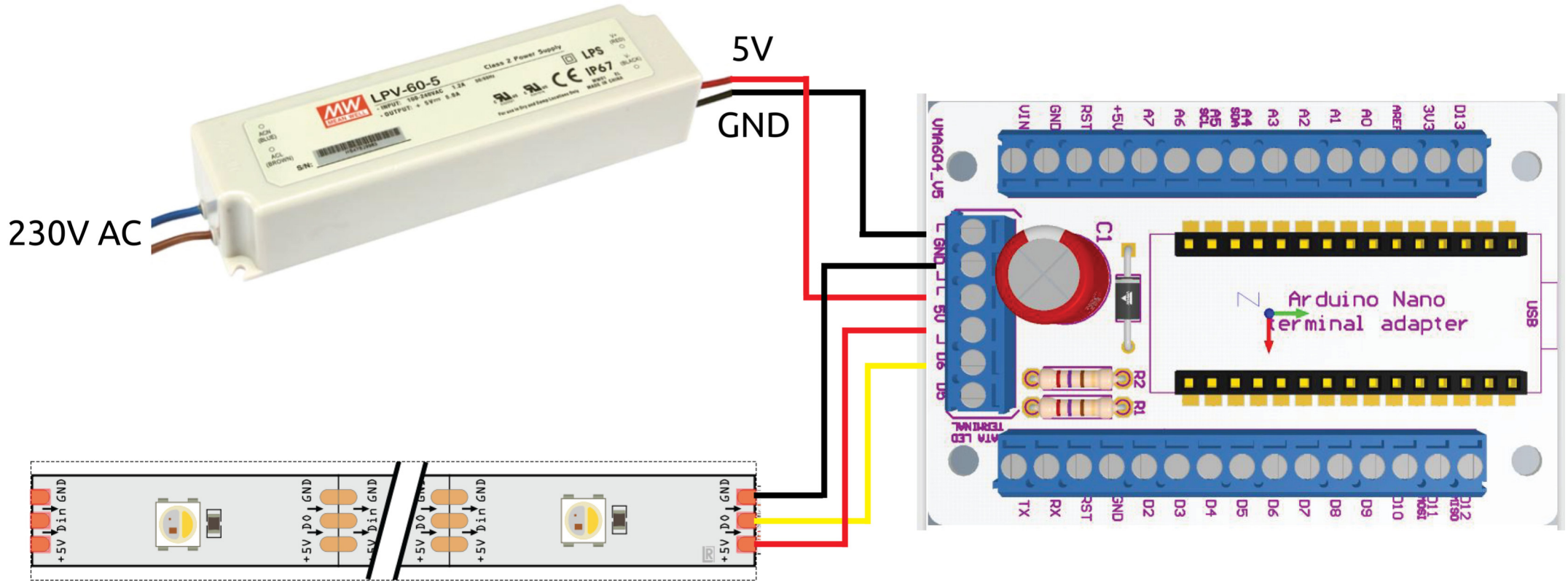


POWER SUPPLY  
(e.g. LPV-60-5)



5V DATA LED STRIP  
(e.g. E05N230DRG)