



# BOYA BY-WM3U 2.4 GHz Wireless Microphone Instruction Manual

[Home](#) » [Boya](#) » BOYA BY-WM3U 2.4 GHz Wireless Microphone Instruction Manual

*BOYA BY-WM3U 2.4 GHz Wireless  
Microphone Instruction Manual*



## 2.4 GHz Wireless Microphone

BY-WM3D  
BY-WM3U

INSTRUCTION MANUAL

Thank you for purchasing BOYA!

BY-WM3 is a 2.4GHz wireless microphone system, all-inclusive solution for making it ideal for capturing audio clearly. It's compatible with most smartphones, tablets, DSLR cameras, consumer camcorders, PCs, etc. The Charging case can charge the transmitters and receivers anywhere for a longer working time, and it's rechargeable via a USB-C port. Portable and lightweight body, BY-WM3 is designed for videographers, content creator, avid vlogger.

## Contents [ [hide](#) ]

- [1 Packaging Lists](#)
- [2 Product Structure:](#)
- [3 Transmitter & Receivers LED Status](#)
- [4 Charging Case's LED Status Lights](#)
- [5 Charging Indicator \(Charging Case\)](#)
- [6 Charging Indicator \(Transmitter & Receiver Charging\)](#)
- [7 How to use?](#)
  - [7.1 Receiver](#)
  - [7.2 Transmitter](#)
- [8 How to pairing ?](#)
- [9 Features](#)
- [10 Specification](#)
- [11 MAINTENANCE](#)
- [12 FCC STATEMENT:](#)
- [13 Documents / Resources](#)
- [14 Related Posts](#)

## Packaging Lists

### **BY-WM3D :**

- Charging Case
- Clip-on Minature Transmitter
- Professional Compact Receiver
- MFi Certified Lightning Adapter
- 3.5mm TRS Adapter
- 3.5mm TRRS Adapter
- Foam Windshield
- Fur windscreen
- 30cm/11.8" Type-C to USB-A Charging Cable

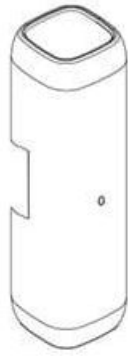
### **BY-WM3U :**

- Charging Case
- Clip-on Minature Transmitter
- Professional Compact Receiver
- Type-C Adapter
- 3.5mm TRS Adapter
- 3.5mm TRRS Adapter
- Foam Windshield
- Fur windscreen
- 30cm/11.8" Type-C to USB-A Charging Cable

**BY-WM3D consists of one clip-on transmitter, a portable receiver, charging case and their accessories as following:**



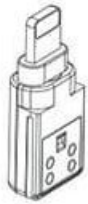
Transmitter



Receiver



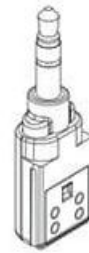
Charging Case



MFi Certified  
Lightning Adapter



TRRS Audio  
Adapter



TRS Audio  
Adapter



Type-C to USB-A  
Charging Cable



Foam Windshield

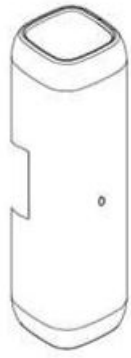


Fur windscreen

**BY-WM3U consists of one clip-on transmitter, a portable receiver, charging case and their accessories as following:**



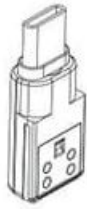
Transmitter



Receiver



Charging Case



Type-C  
Adapter



TRRS Audio  
Adapter



TRS Audio  
Adapter



Type-C to USB-A  
Charging Cable



Foam Windshield



Fur windscreen

## Product Structure:

BY-WM3D:

## Transmitter

### 1. Built-in Microphone



#### NOTE:

For optimal sound detection, do not hold your hand against the microphone head. Please refer to page for more details.

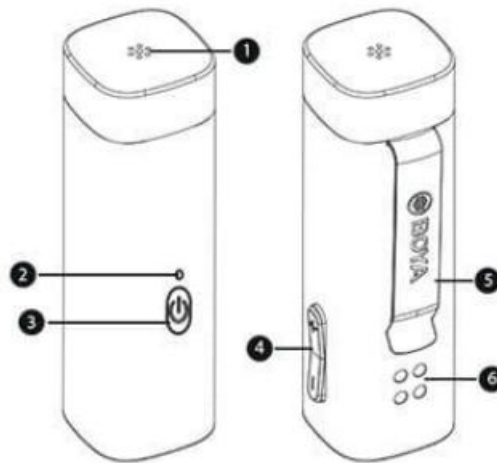
### 2. Power&Pairing Indicator

### 3. Power Button

### 4. +/- Button

### 5. Mic Clip

### 6. Charging Contacts



## Receiver

### 7. Power&Pairing Indicator

### 8. Contacts

### 9. Power Button

### 10. Charging Contacts

### 11. Mfi Certificated

Lightning Adapters

- For iPhone, iPad, iPod

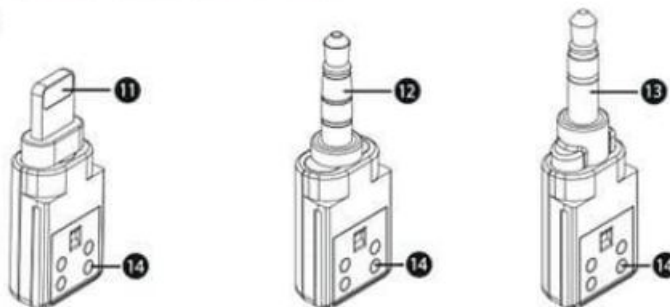
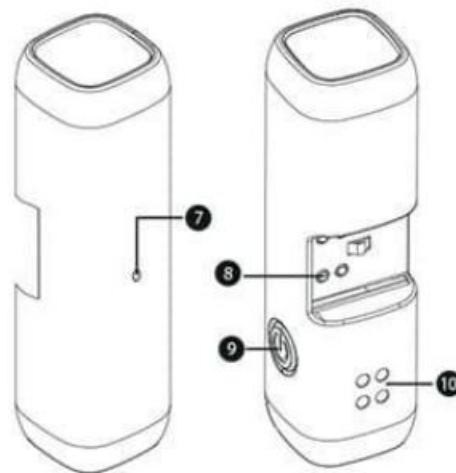
### 12. TRRS Audio Adapters

- For smartphone, laptop, tablet and others

### 13. TRS Audio Adapters

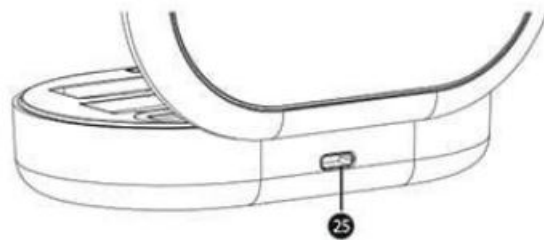
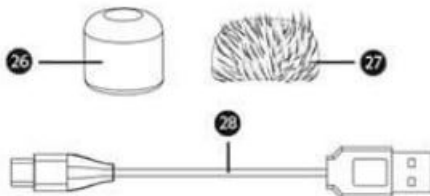
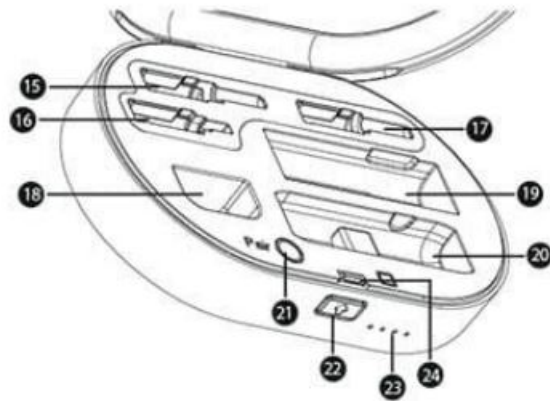
- For DSLR, camcorder, recorder

### 14. Contacts



## Charging Case

15. TRS Audio Adapters' Slot
16. Mfi Certificated Lightning Adapters' Slot
17. TRRS Audio Adapters' Slot
18. Foam Windshield's Slot
19. Transmitter's Slot
20. Receiver's Slot
21. Pair Button
22. Open Button
23. Battery Capacity Indicator
24. Catch
25. Charging Port (DC 5V)
26. Foam Windshield
27. Fur windscreen
28. 30cm/11.8" Type-C to USB-A Charging Cable



## BY-WM3U :

### Transmitter

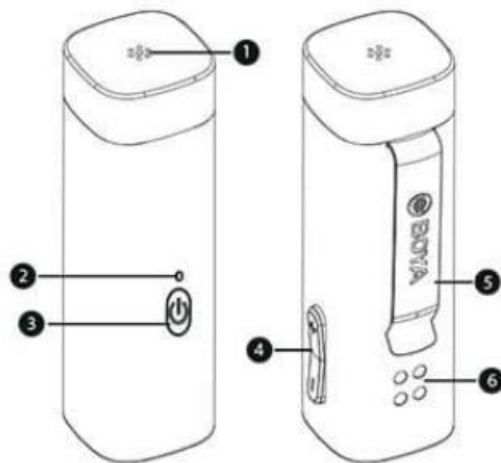
1. Built-in Microphone



#### NOTE:

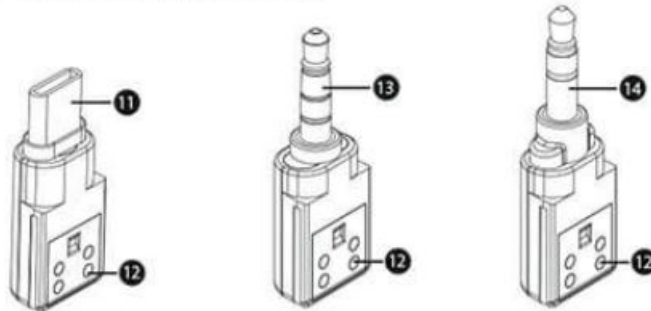
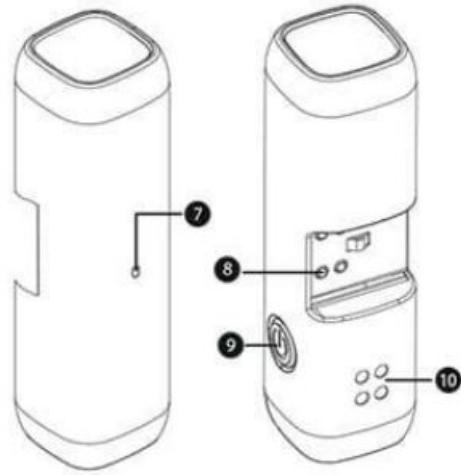
For optimal sound detection, do not hold your hand against the microphone head.

2. Power&Pairing Indicator
3. Power Button
4. +/- Button
5. Mic Clip
6. Charging Contacts



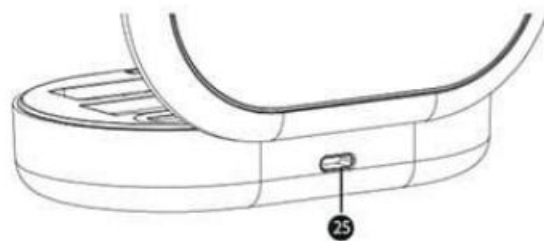
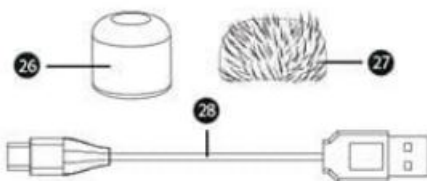
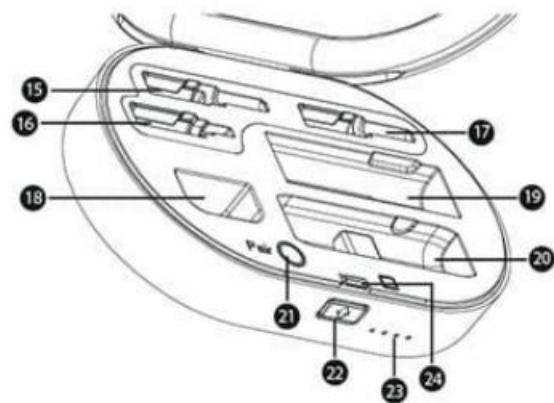
## Receiver

- 7. Power&Pairing Indicator
- 8. Contacts
- 9. Power Button
- 10. Charging Contacts
- 11. Type-C Adapters
- 12. Contacts
- 13. TRRS Audio Adapters  
- For smartphone, laptop,  
tablet and others
- 14. TRS Audio Adapters  
- For DSLR, camcorder, recorder



## Charging Case

- 15. TRS Audio Adapters' Slot
- 16. Type-C Adapters' Slot
- 17. TRRS Audio Adapters' Slot
- 18. Foam Windshield's Slot
- 19. Transmitter's Slot
- 20. Receiver's Slot
- 21. Pair Button
- 22. Open Button
- 23. Battery Capacity Indicator
- 24. Catch
- 25. Charging Port (DC 5V)
- 26. Foam Windshield
- 27. Fur windscreen
- 28. 30cm/11.8" Type-C to  
USB-A Charging Cable



## Transmitter & Receivers LED Status

<b>Status</b>	<b>Operation</b>	<b>Indicator</b>
Power On	1) Open the cover of case. 2) Long press the power button of transmitter and receiver until they turn on.	Lights On
Power Off	1) Put the device back to the case, and close the cover. 2) Long press the power button of transmitter and receiver until they turn off.	Lights Off
Entering Pairing Mode	Short press the power button of transmitter and receiver twice.	Quick Flashing in Blue Light
Paired Successfully	/	Solid Blue Light
Disconnected/ Out of Connection Mode	/	Slow Flashing in Blue Light
Low-battery Warning	/	Flashes Red Light
Mute On (TX Only)	Short press the power button of transmitter	Slow Flashing Red Light
Charging	/	Solid Red Light
Fully Charged		Red Lights Off

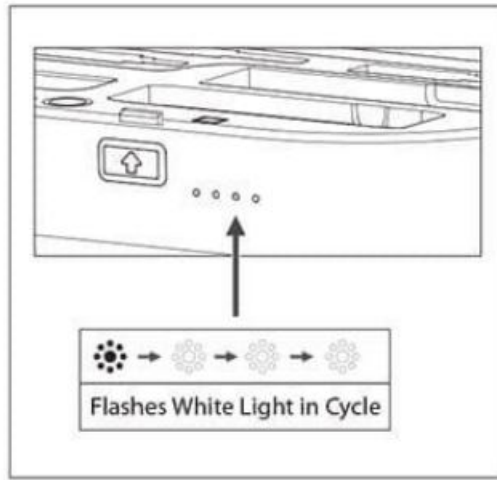
### Charging Case's LED Status Lights

<b>Status</b>	<b>Indicator</b>
Open/Closed	Current Battery's Capacity
Low-battery Warning	Flashes White Light
Charging	Flashes White Light in Cycle
Fully Charged	Lights Off

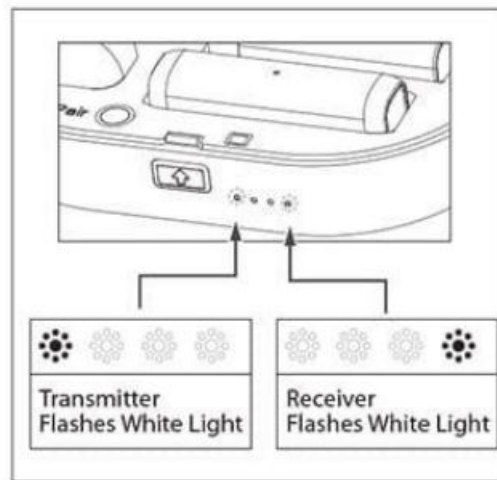
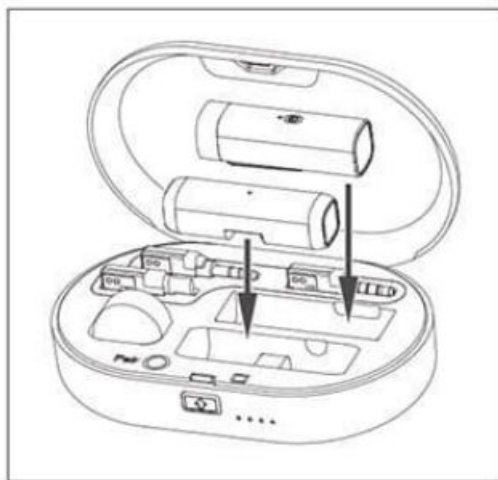
\* Please neatly placed the device in the charging case, to ensure that they can be charged

### Charging Indicator (Charging Case)



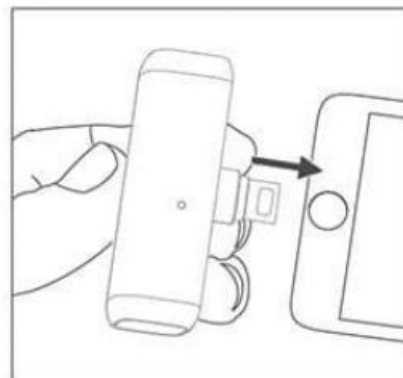
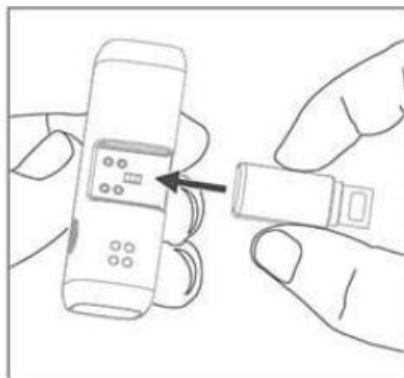


**Charging Indicator (Transmitter & Receiver Charging)**

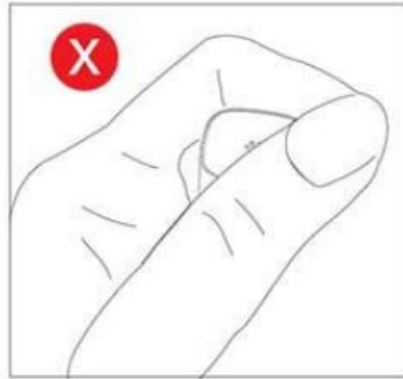
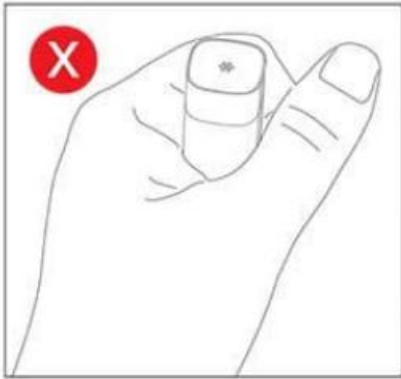


**How to use?**

**Receiver**



**Transmitter**

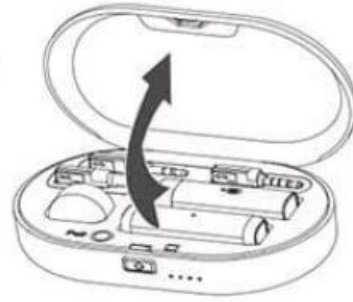


How to pairing ?

## Pairing Transmitter and Receiver by the Charging Case

### 1. Auto Pairing

1. Put the transmitter and receiver back to the case on the right position and direction, and close it.
2. Open the cover of the charging case again, the transmitter and receiver are powered on.
3. When they paired successfully, their indicators are in solid blue light.



### 2. One-touch pairing

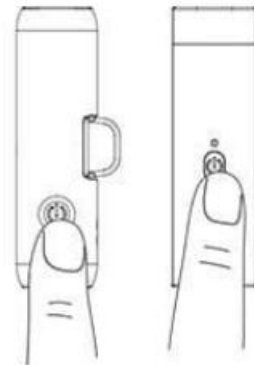
1. Open the charging case, the transmitter and receiver are powered on.
2. Long press the Pair button twice to enter into the pairing mode.
3. When they paired successfully, their indicators are solid blue.



## Pairing Transmitter and Receiver by Manually Matching

### 1. Manually matching

1. Open the charging case, the transmitter and receiver are powered on.
  2. Press the Pair button twice to enter into the pairing mode.
  3. When they paired successfully, their indicators are in solid blue light.
- When paired successfully, please follow the steps below:
4. Select a corresponding adapter and push it into the receiver.
  5. Connect the receiver to your audio devices, such as cameras, camcorders, smartphone and more.
  6. You are ready to record.



## Features

- 2.4 GHz Wireless Transmission Technology
- One-touch Pairing Fast Focus on Recording Subject
- lightweight and Low-Profile Design
- Fast-charging with Charging Case
- Alternative Types of Adapter
- Muting Function

## Specification

Transmission Type	2.4GHz
Polar Pattern	Omnidirectional
Frequency Response	20Hz-20KHz ( $\pm 3$ dB)
Distortion	<0.1%
Sampling Rates	48 kHz
Bit Depth	16 Bit
Signal-to-noise ratio	75db or more
Sensitivity	-42dB $\pm$ 3dB (1dB=1V/Pa@1kHz)
Operating Distance	20m (without obstacle)
Power Consumption	TX: 80mW RX: 60mW
Working Time	TX: 4.5 hours * two times
	RX: 8 hours * two times
Charging Time	TX: 2 hours
	RX: 2 hours
	Charging Case: 2 hours
Charging Port (Charging Case)	Type-C
Battery Capacity	TX: 100mA
	RX: 100mA
	Charging Case: 1000mA
Size	Charging Case: 120*77*30.5mm (4.7*3*1.2")
	TX: 51.8*15.6*18mm (2*0.6*0.7")
	RX: 54*15.6*15.6mm (2*0.6*0.6")
Weight	TX+RX+Charging Case: 129g (4.5 oz)
	TX: 10.5g (0.37 oz) RX: 9.5g (0.33 oz)

## **CAUTION**

1. Please use our original audio signal cable which is equipped, it's more compatible with the wireless microphone, and make the sound better.
2. The figure given is only the approximate value that applies when there are no obstructions between the transmitter and receiver. This distance will vary depending on metal objects, people and other obstructions and on the signal strength.
3. Battery life may vary depending on the type of battery used.

## **IMPORTANT**

- If you do not intend to use the wireless microphone for a long period time, please remove the batteries from both the transmitter and receiver.
- Do not touch the lavalier/lapel microphone, transmitter and receiver while recording, as this will cause noise to be recorded.
- Do not let the transmitter close to high-voltage equipment or to devices that emit strong electrom-agnetic fields, otherwise, it may cause the noise to be recorded.
- Do not use or leave the transmitter and receiver in hot, humid places.
- Do not leave the receiver attached to the camera when storing the camera in a case.
- Do not mix up to use the transmitter and receiver.

## **WARNING**

- Keep the wireless microphone out of the reach of children.
- Never use leaking batteries and never expose batteries to excessive heat or fire.

## **MAINTENANCE**

- Do not operate the device with wet hands or feet.
- Clean the equipment only in the way described in the instructions for use.
- Take care to prevent the equipment from dropping down. Make sure that the device is properly fastened and reliably mounted. If the device has dropped down on the floor have it inspected by a skilled electrician before you switch it on again.
- Should the equipment be damaged or defective, or if you notice a scorching smell:  
Interrupt the electric power supply immediately by removing the batteries. Do not operate the device with a damaged housing, do not repair the device yourself. Have the device only repaired by a skilled electrician.
- Always keep your device in good condition, as specified in these instructions for use.
- Do not open the device.

## WARNING

## FCC STATEMENT:

This device complies with Part 15 of the FCC Rules.  
Operation is subject to the following two conditions:

- (1) This device may not cause harmful interference, and
- (2) This device must accept any interference received, including interference that may cause undesired operation.

[www.boya-mic.com](http://www.boya-mic.com)

## SHENZHEN JIAYZ PHOTO INDUSTRIAL., LTD.

The BOYA logo is a trademark which is registered and owned by Shenzhen jizya photo Industrial., Ltd.  
COPY RIGHT 2010-2020

TEL" 4006131096

Email: [sales@boya-mic.com](mailto:sales@boya-mic.com)

[www.boya-mic.com](http://www.boya-mic.com)

[www.jiayz.com](http://www.jiayz.com)

## Documents / Resources



[BOYA BY-WM3U 2.4 GHz Wireless Microphone](#) [pdf] Instruction Manual  
BY-WM3D, BY-WM3U, 2.4 GHz Wireless Microphone