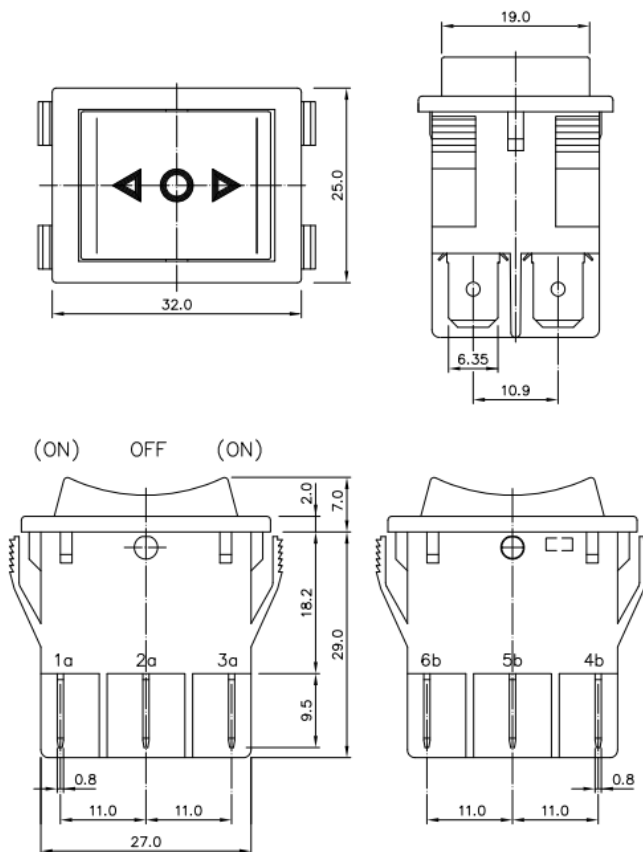


Data Sheet

Rocker switch 250 V AC 6 A 2 x (On)/Off/(On) momentary/0/momentary 1 pc(s)



Drawing:



Data Sheet

Technical data

Casing/button colour: Black

Functions: momentary/0/momentary

Switch function: 2 x (On)/Off/(On)

Print motif: ▲ /O/▼

Switching voltage & current: 250V AC 16A

Number of pins: 6

Connection: CEE 7/16 plug 6.3 mm, Solder tag

Product type: Toggle switch

Operation temperature: -10°C~ +80°C

Storage temperature: -40°C~ +80°C

Dielectric strength: 1500V

Insulation resistance: DC 500V 100MΩ OR MORE

Contact resistance: DC2-4V 1A20MΩ OR LESS

Electrical life cycle: 10000times

Mechanical life cycle: 50000times