

Instruction Manual

GAMING DESK

I Preface

This gaming desk consists of a heavy-duty steel desk frame and a desktop. Please read and completely understand this manual before installation in order to make sure the safe and correct use of the system and maintain the longevity of the overall construction.

Instructions of Safety and Warnings:

- Any failure to comply with the safety and installation instructions in this manual may cause serious bodily injury.
- Any incomplete observation of the instructions, warnings and additional information marked with the **"Note"** and "⚠" may result in serious damage to the system or its components.
- This product can be used by children aged from 8 years and above if they have been given supervision or instruction concerning use of the appliance in a safe way and understand the hazards involved. Children shall not play with the appliance. Cleaning and user maintenance shall not be made by children without supervision.
- Persons with reduced physical, mental abilities and or lack of experience and knowledge must not use the product, unless they're under supervision, understand the hazards involved or they have been thoroughly instructed in the use of the apparatus by a person who is responsible for the safety of these persons.
- Users should make sure that they never sit on the desktop in order to prevent serious bodily injury.



Other Safety Instructions:

- Don't leave the cords or plug unorganized in order to prevent tripping hazards.
- Any attempts to reconstruct the desk frame aren't allowed.
- Don't add anything to the adjustable junctions of the desk frame.
- Outdoor use is prohibited.

I Preparation

1 What are the specifications you need to know?



Weight Capacity
50kg (110lbs)



Operation Temperature
(-5°C-+40°C)

2 What are the tools you require while installation?



Bubble Level



Allen Wrench
(Included)

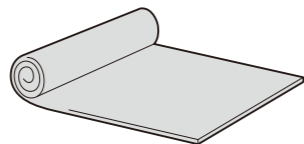


Drill



Phillips Screwdriver

3 What's the thing you'd better have before installation?



A Shipping Blanket
to protect the desk
and the floor

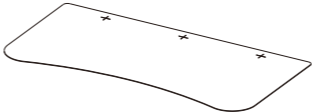
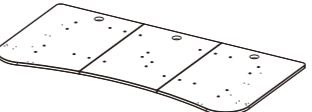


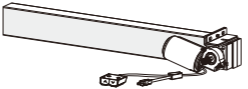
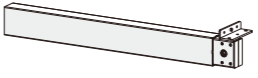




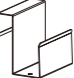
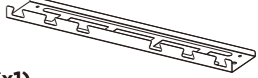








4 Things you need to know before installation

Please check all of the components shown in the component checklist. If any of the components are missing or damaged, contact your point of purchase for a replacement.













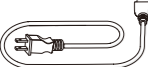


Disposal: The product with this mark indicates that this product shouldn't be disposed with other household wastes throughout the EU. To prevent possible harm to the environment or human health from uncontrolled waste disposal, recycle it responsibly to promote the sustainable reuse of material resources. To return your used device, please use the local recycle service or contact your point of purchase to withdraw the product.

I Checklist and Installation

 A (x1) Surface Pad	 B (x1) Desktop	 C (x2) Connection Bar	 D (x1) Crossbar				
 E (x1) Lifting Column	 F (x1) Lifting Column	 G (x2) Side Bracket	 H (x1) Sync Rod				
 I (x2) Foot	 J (x1) AC Adapter	 K (x1) Adapter Holder	 L (x1) Cable Management Tray				
 M (x2) Hook	 N (x1)	 O (x2)	 P (x1)	 Q (x1)	 R (x1)	 S (x8)	 T (x1)



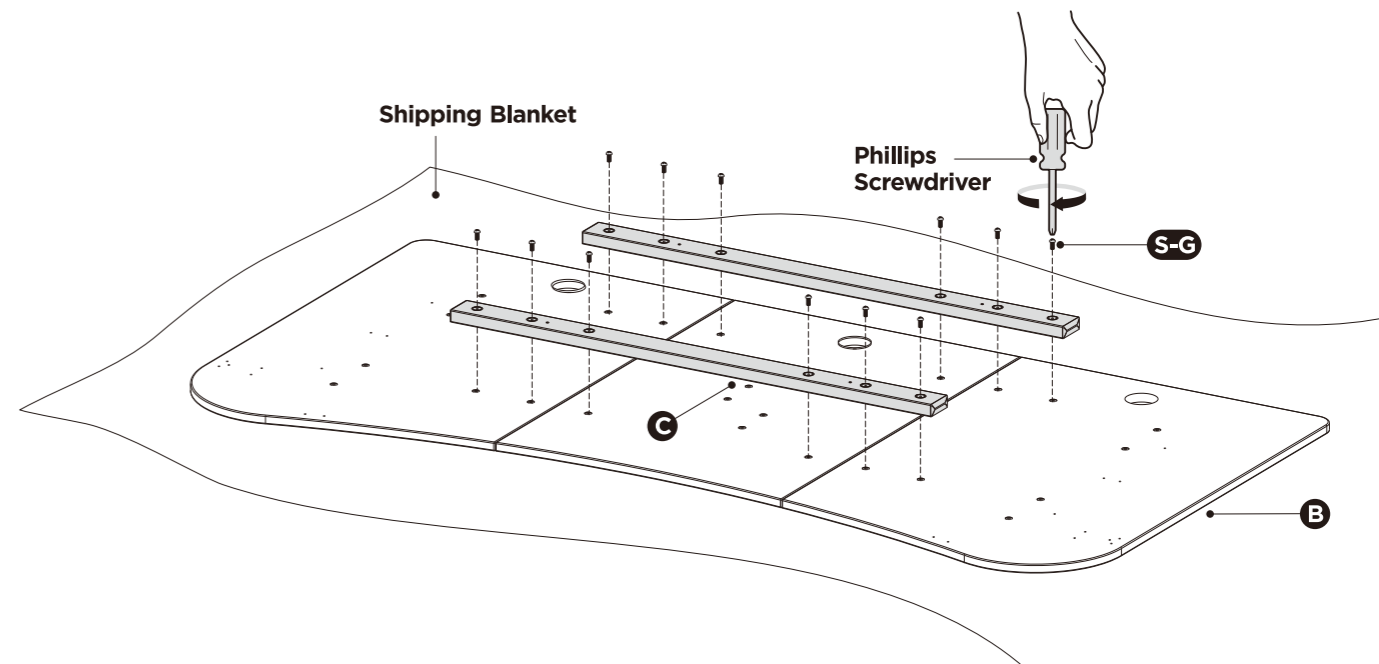
This page can be torn so that it's easier for you to match the components with the images.

 S-A (x4) M5x14 Hex Head Screw	 S-B (x2) M6x25 Hex Head Screw	 S-C (x8) M6x30 Hex Head Screw	 S-D (x4) M6x50 Hex Head Screw	 S-E (x5) ST3.5x13 Phillips Head Screw
 S-F (x4) M4x14 Screw	 S-G (x22) M5x14 Screw	 S-H (x5) ST4.2X13 Screw	 S-I (x8) ST4.2X13 Screw	 S-J (x10) Anti-Vibration Pad
 S-K (x1) Power Plug	 S-L (x3) Cable Clip	 S-M (x1) 4mm Allen Wrench		

Now let's start the installation.

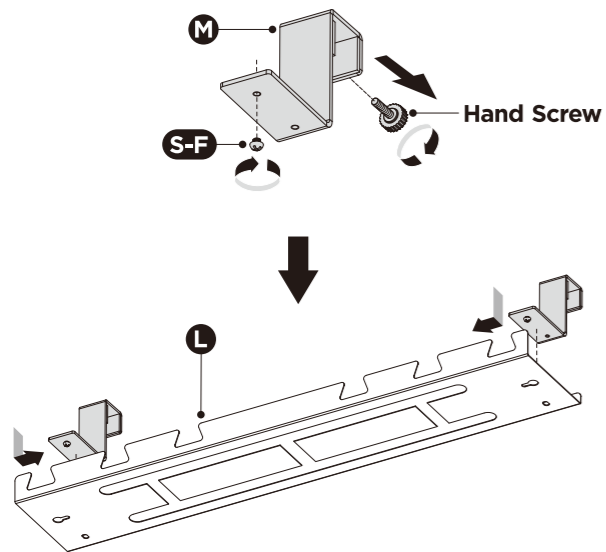
I Installing the Desktop

- Please prepare a spacious area for installation, and put a shipping blanket on the area to prevent scratches on the floor and the desktop.
- Place the **desktop B** upside down and assemble the desktop with **2 connection bars C** as shown using **12 screws S-G**.

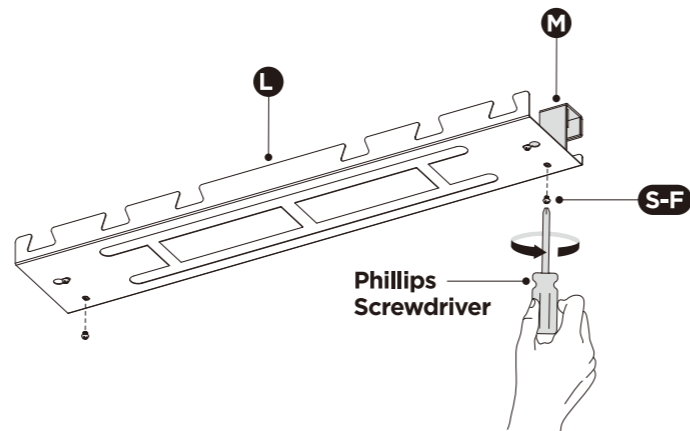


I Assembling the Cable Management Tray

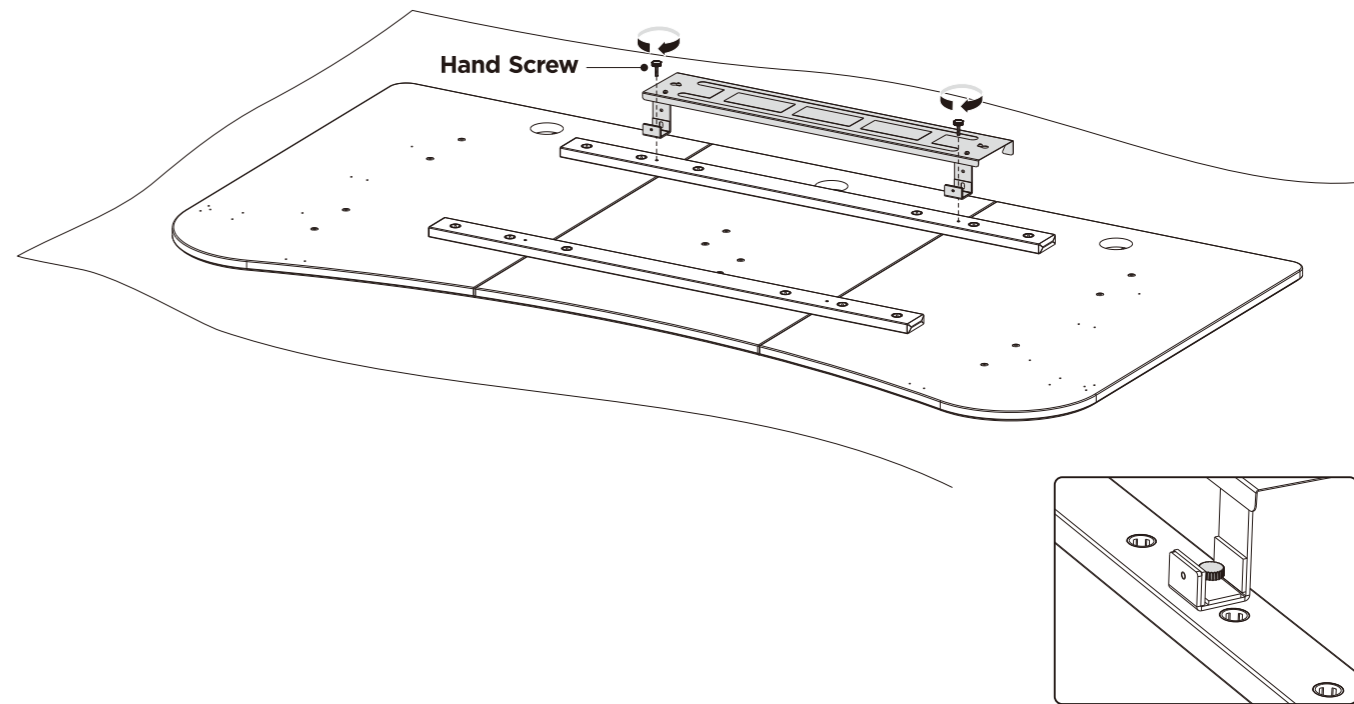
- Release the hand screw on the **hook M** as shown and save it for further use.
- Insert a **Phillips screw S-F** to the hole found on the bottom of the hook. Do not overtighten and leave a small gap so the hook will slide into the keyhole slot on the **cable management tray L**.
- Repeat the above steps for another hook.



- Insert another **2 screws S-F** from below as shown to attach the **hook M** to the **cable management tray L**. Tighten all screws.

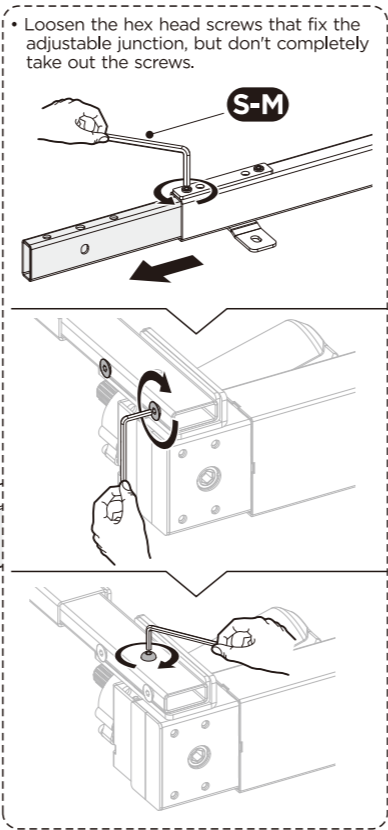
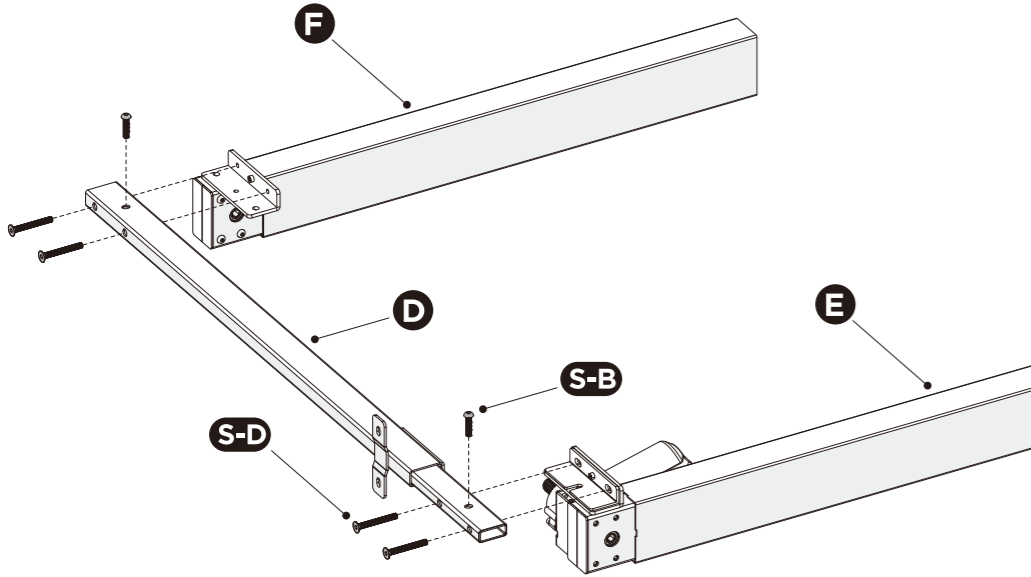


- Align the holes found on the hooks members to the holes found on the connection bars.
- Attach the cable management tray to the connection bar as shown with the **hand screws** released previously.



I Attaching the Crossbar

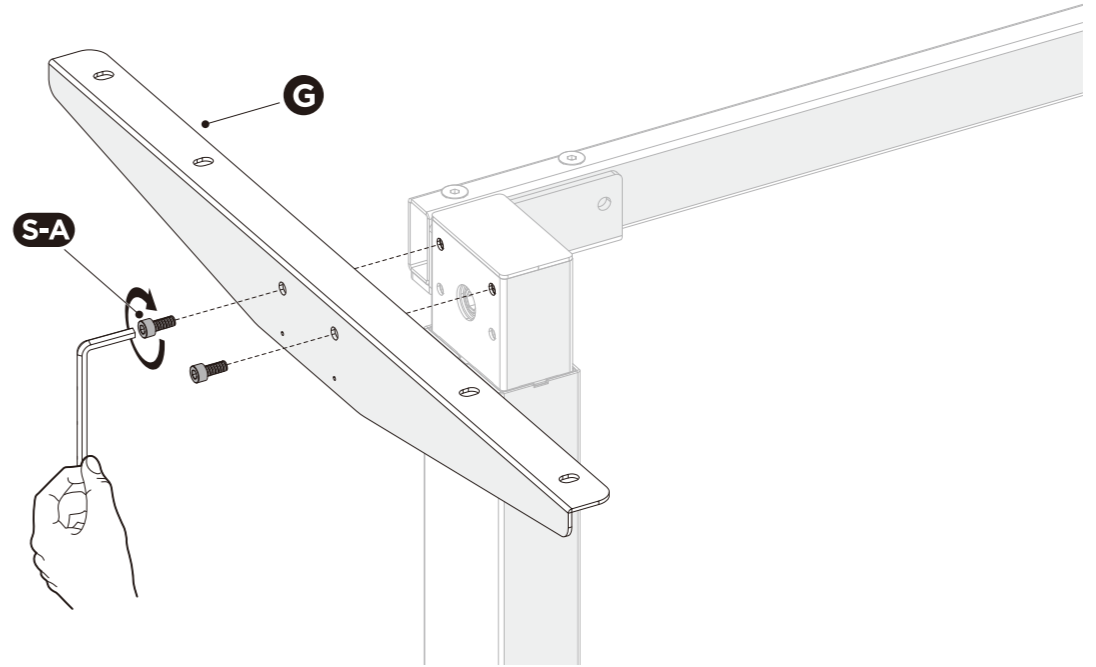
- Attach the **Crossbar D** to the **Lifting Columns E / F** using **4 M6x50 Screws S-D** and **2 M6x25 Screws S-B** as shown in the illustration.



- Loosen the hex head screws that fix the adjustable junction, but don't completely take out the screws.

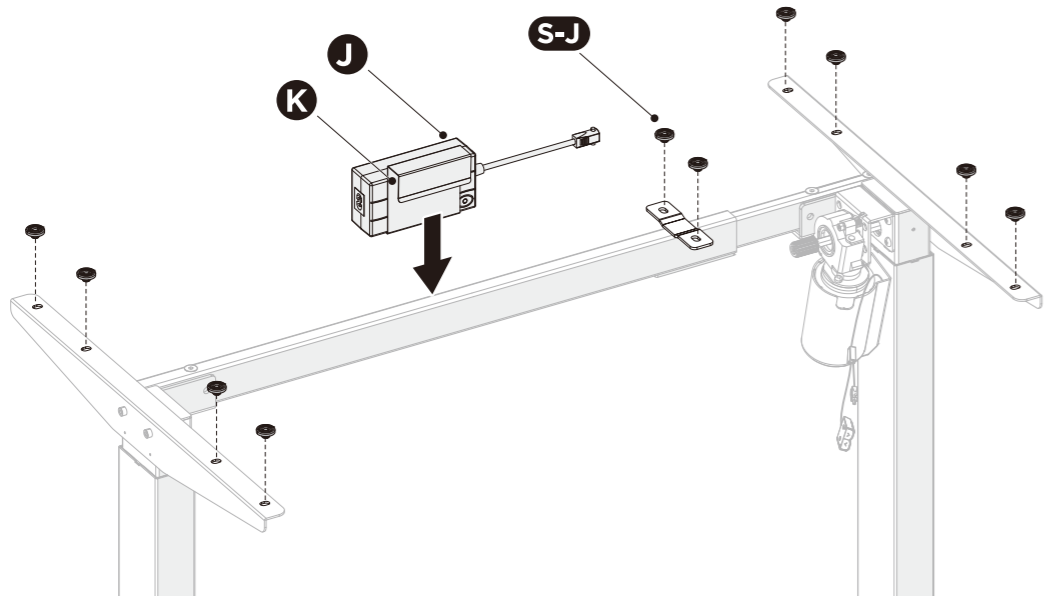
I Attaching the Side Brackets

- Attach each **Side Bracket G** to the Lifting Column using **2 M5x14 Screws S-A**.



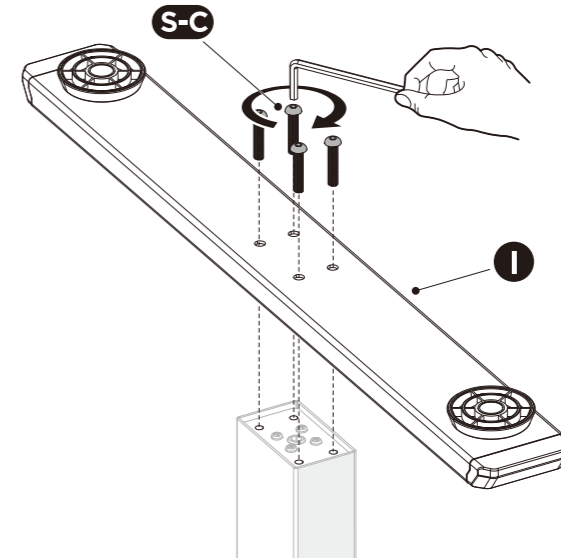
I Attaching the Anti-Vibration Pads and AC Adapter

- Hang the **Adapter Holder K** on the crossbar as shown, then put the **AC Adapter J** into it.
- Attach the **Anti-Vibration Pads S-J** to the surface of the crossbar on the ten positions as shown.



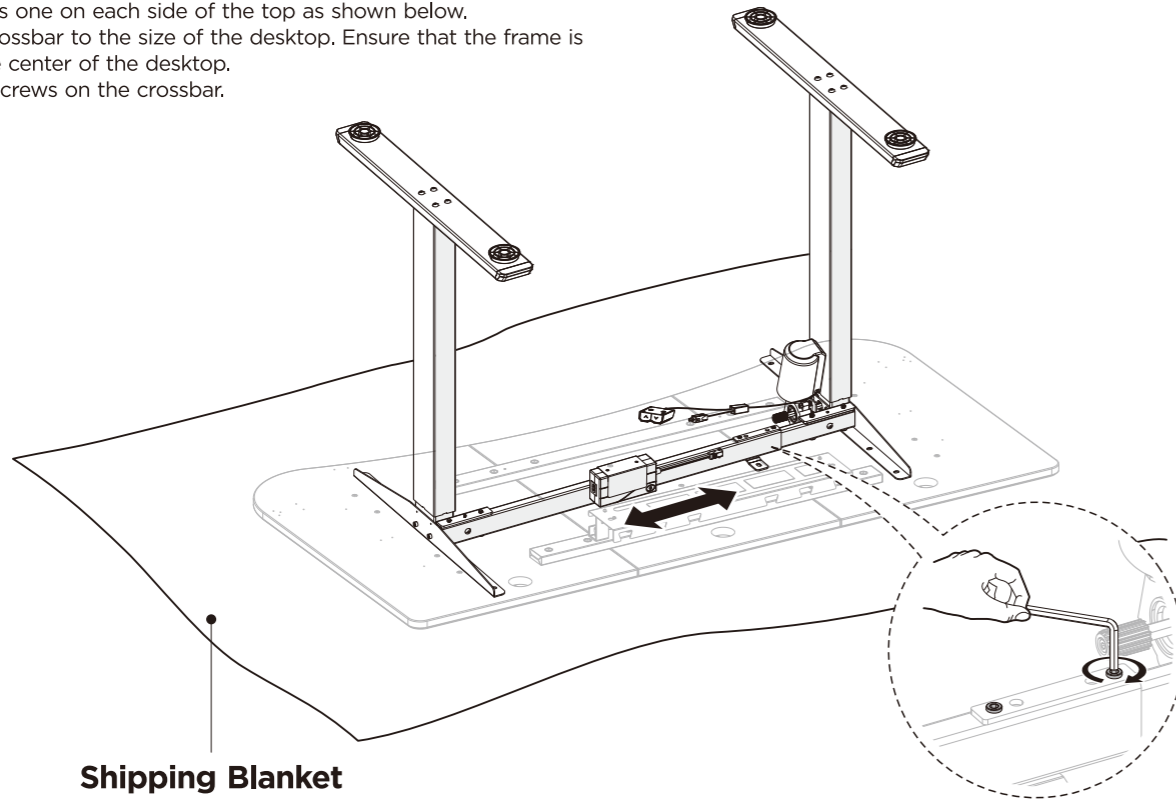
I Attaching the Feet

- Place the **Lifting Column E / F** upside down on the floor .
- Attaching the **Foot I** to the Lifting Column using **4 M6x30 Screws S-C**.
- Repeat the same process to attach the other foot.



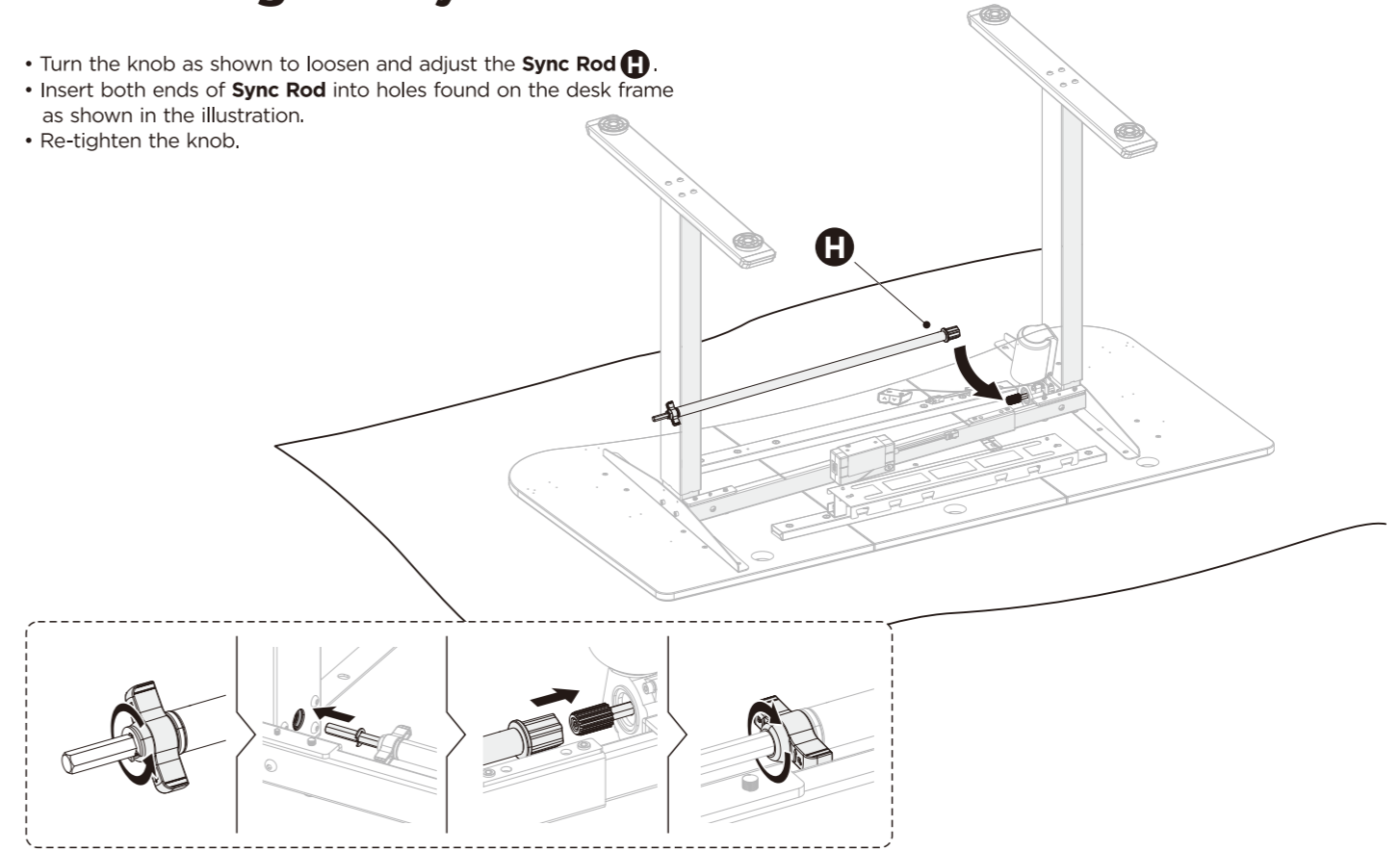
I Adjusting the Frame

- Carefully place the desktop upside down on the blanket/floor.
- Place the legs one on each side of the top as shown below.
- Adjust the crossbar to the size of the desktop. Ensure that the frame is placed in the center of the desktop.
- Tighten the screws on the crossbar.



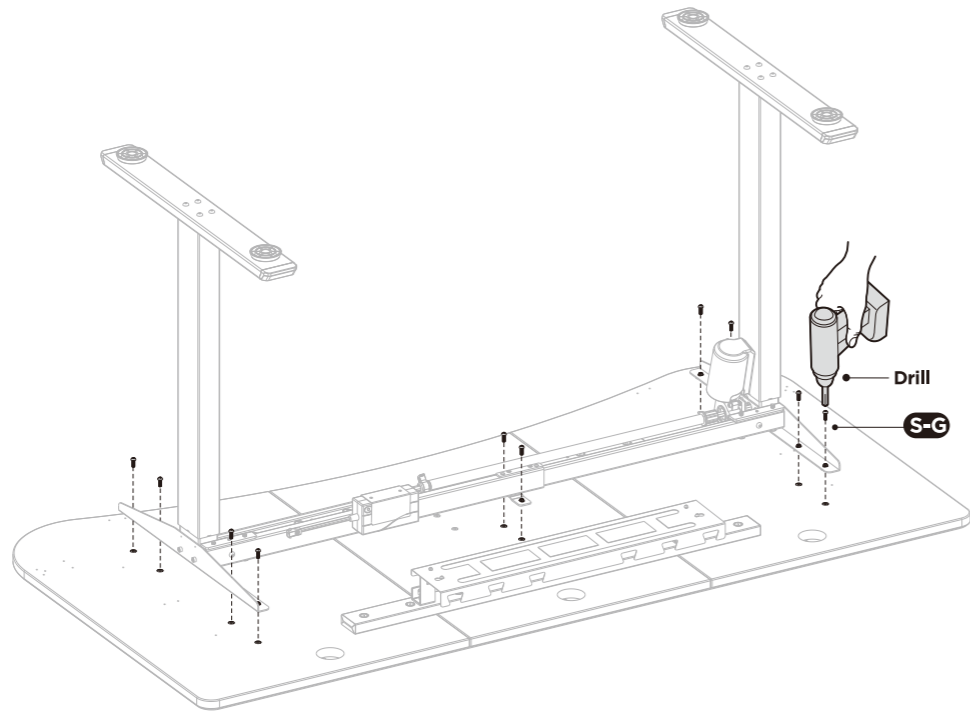
I Attaching the Sync Rod

- Turn the knob as shown to loosen and adjust the **Sync Rod H**.
- Insert both ends of **Sync Rod** into holes found on the desk frame as shown in the illustration.
- Re-tighten the knob.



I Drilling to the Desktop

- Attaching the assembled desk frame to the desktop through the mounting holes found on the Side Brackets and Crossbar as shown in the illustration using **10 M5x14 Screws S-G**.

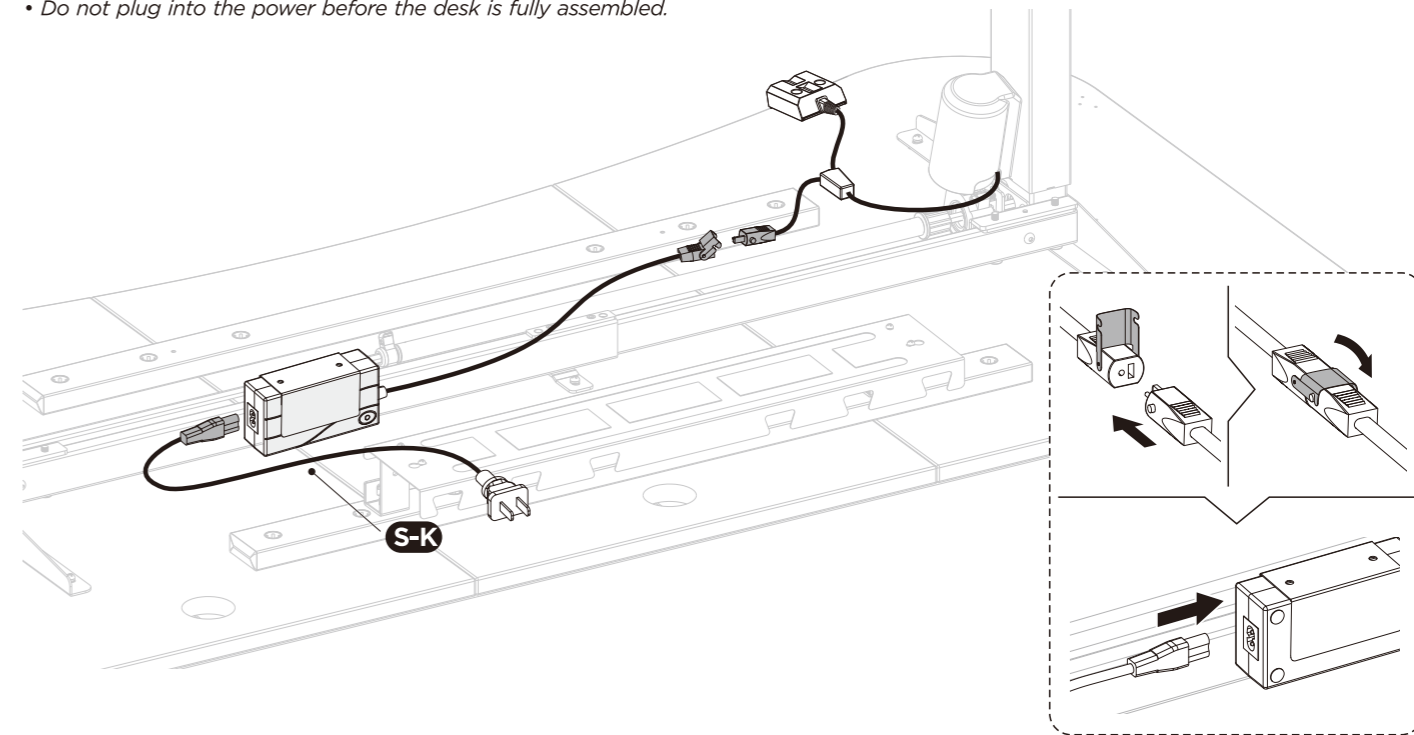


I Connecting Cords and Attaching the AC Adapter

- Connect the **Controller** with the **AC Adapter J** and motor as shown.
- Insert the **Power Plug S-K** into the **AC Adapter**.

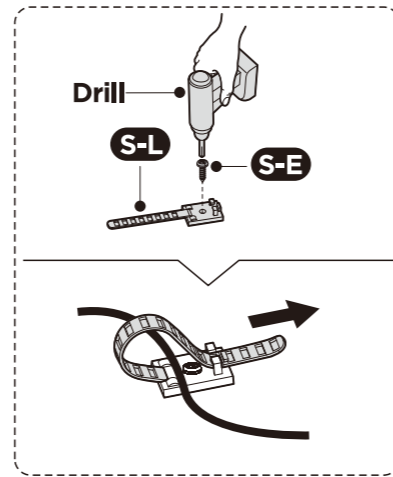
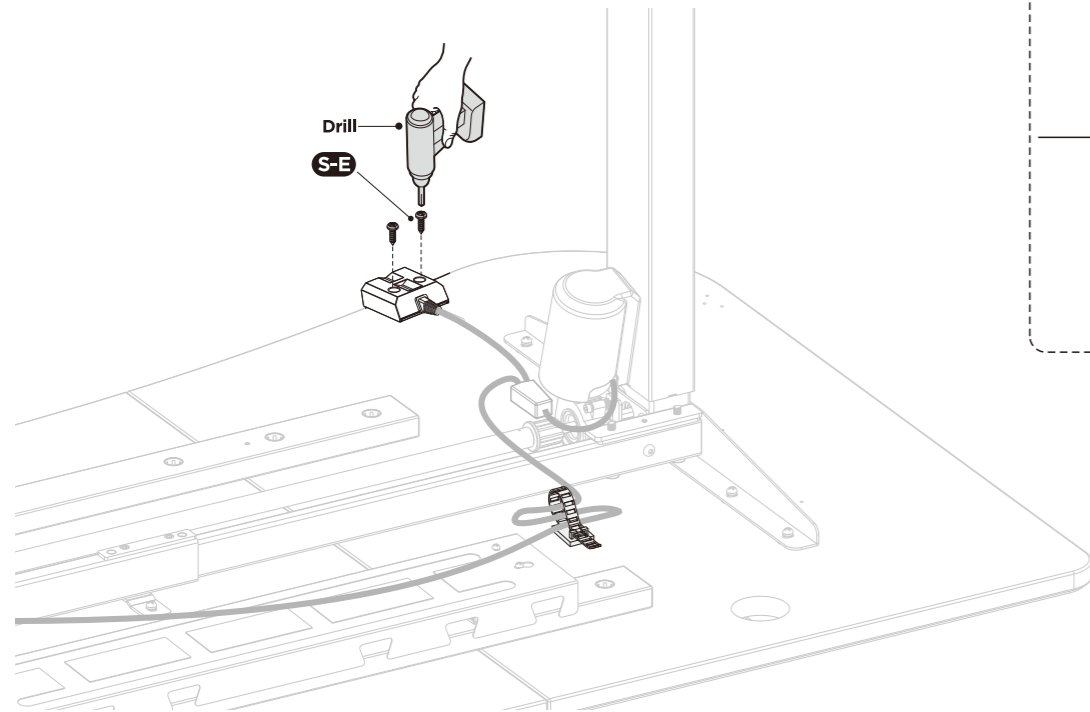
Note:

- Do not plug into the power before the desk is fully assembled.



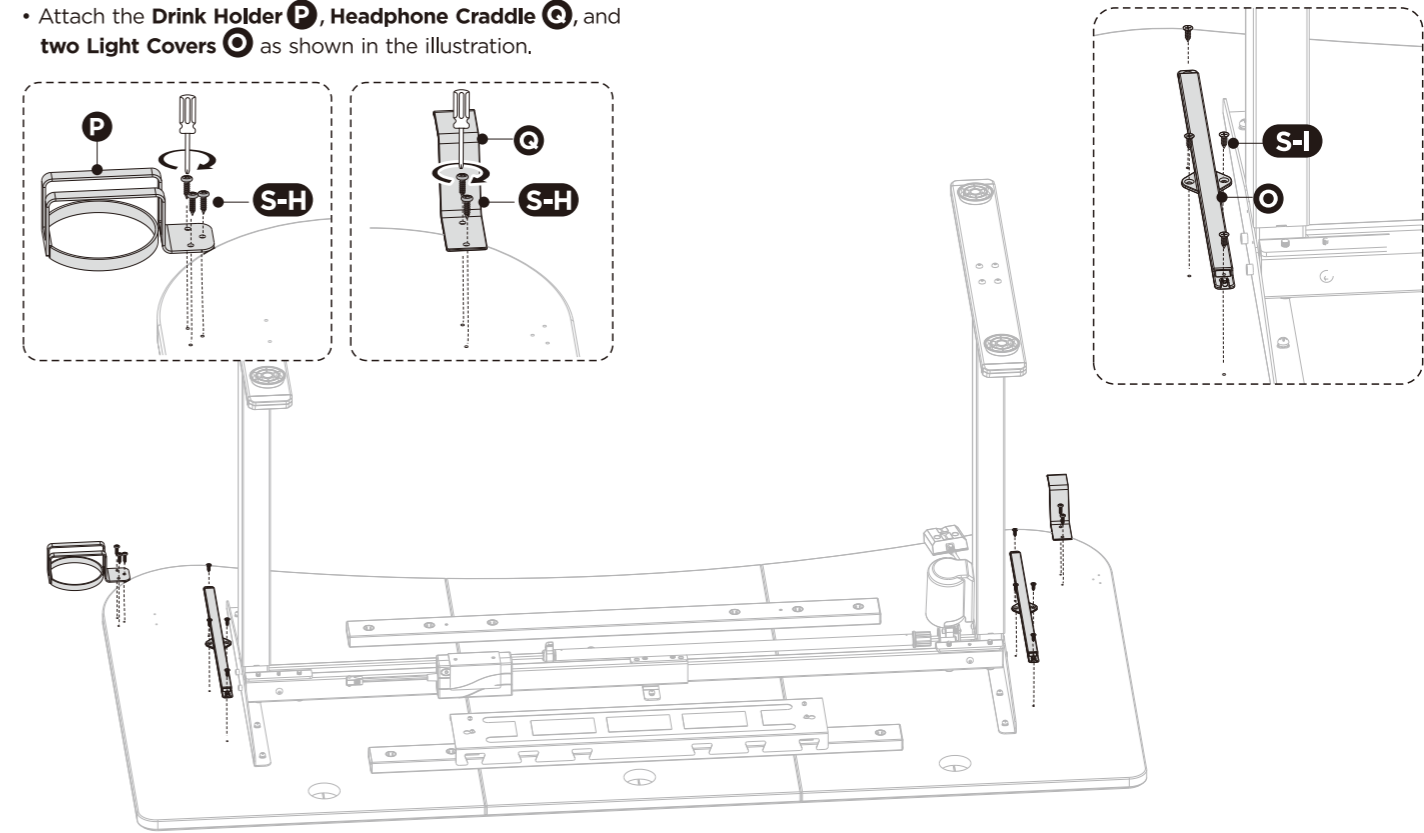
I Attaching the Controller and Cable Management

- Attach the **Controller** to the desktop using **2 ST3.5x13 Screws S-E**
- Run the cables through the **Cable Clips S-L** and attach the **Cable Clips** to the desktop with **ST3.5x13 Screws S-E** to ensure clean and neat surface.



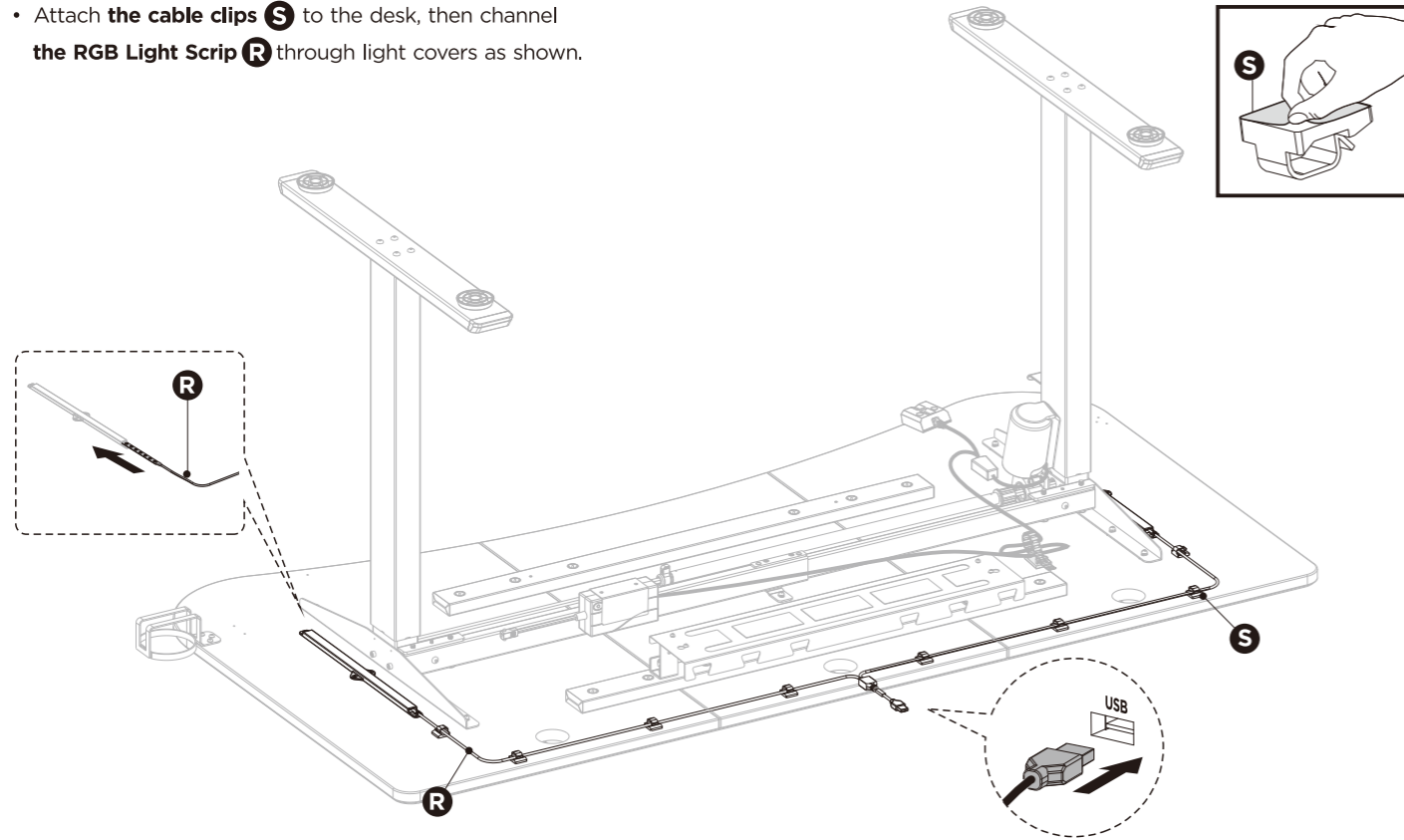
I Attaching the Accessories

- Attach the **Drink Holder P**, **Headphone Cradle Q**, and **two Light Covers O** as shown in the illustration.

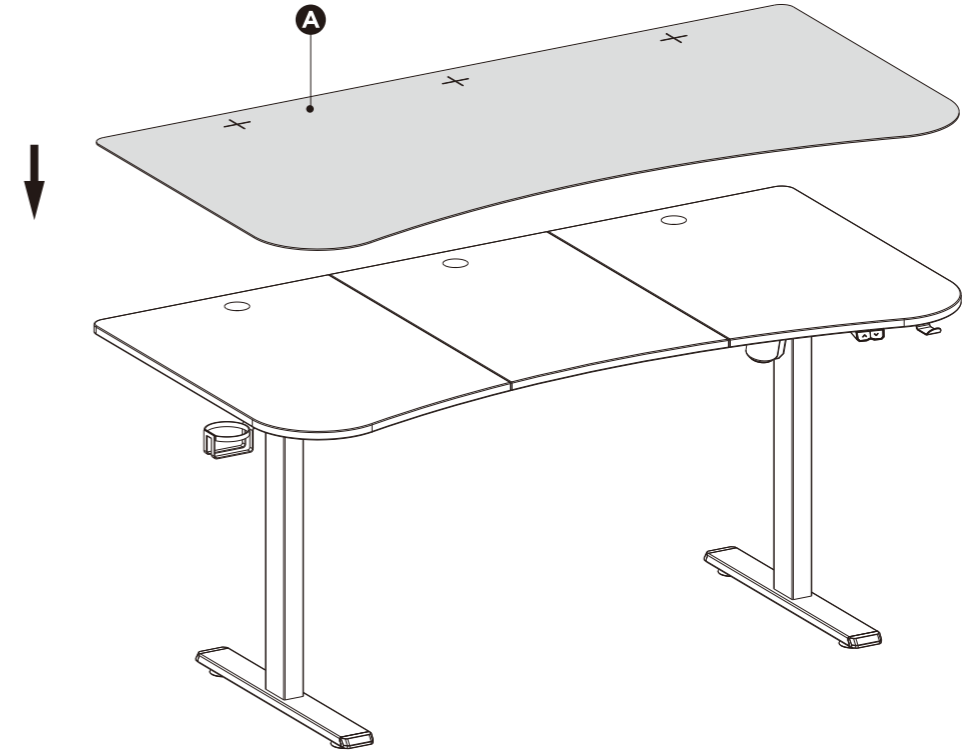


I Attaching the RGB Light Strip

- Attach the **the cable clips S** to the desk, then channel **the RGB Light Strip R** through light covers as shown.



I Laying the Surface Pad



I Adjusting the Desk

- Turn over the desk with the help of another person.
- There are two adjustable foot pads under each foot. If the floor isn't even, simply turn the pad to adjust the level to make the desk stable.

Tip: Use a bubble level (not included) to check if the desktop is even.

CAUTION: At least two people are required when turning over the desk, or serious bodily injuries might occur.

