

MLVA

Multilayer varistor ESD suppressor



Surface Mount Device

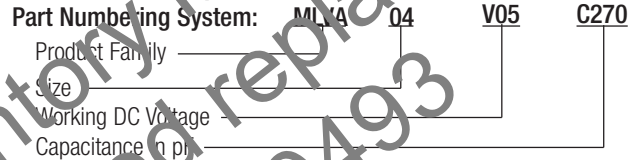


Applications

- Computers and peripherals
- Digital still cameras
- Cell phones
- Medical equipment
- Printers/copiers/scanners
- DVD Players
- MP3/Multimedia players
- LCD TV/Monitor
- External storage
- Cable/DSL Modems
- Set top boxes

Product features

- Zinc oxide based ceramic chip
- Provides ESD protection with fast response time (<1ns) allowing equipment to pass IEC 61000-4-2 Level 4 Test
- 0402 and 0603 meet IEC 61000-4-4 and 61000-4-5
- Low profile designs for board space savings
- Low and stable leakage current reduces power consumption
- Low clamping voltage
- Wide 5.5 to 26 Vdc operating voltage range
- Halogen free and RoHS compliant for global applications



Packaging

- Size 0201: 15,000 pieces per reel - EIA (EIAJ)
- Size 0402: 10,000 pieces per reel - EIA (EIAJ)
- Size 0603: 4,000 pieces per reel - EIA (EIAJ)

Specifications

Part Number	Size	Working Voltage		Varistor Voltage @ 1 mA Dc	Clamping Voltage	Capacitance pF	Peak Current (amps)	Transient Energy (Joules)
		V _{rms}	V _{dc}					
MLVA02V05C038	0201	4	5.5	4-11	30	33	-	-
MLVA02V05C047	0201	4	5.5	8-14	26	47	-	-
MLVA02V05C064	0201	4	5.5	8-14	26	64	-	-
MLVA04V05C270	0402	4	5	6.4-9.6	20	270	20	0.05
MLVA04V09C130	0402	7	9	10-15	32	130	20	0.05
MLVA04V14C090	0402	11	14	14.4-21.6	38	90	20	0.05
MLVA04V18C085	0402	14	18	17.6-26.4	45	85	20	0.05
MLVA06V5C270	0603	4	5.5	6.4-9.6	22	270	30	0.1
MLVA06V09C210	0603	7	9	10-15	27	210	30	0.1
MLVA06V14C150	0603	11	14	14.4-21.6	35	150	30	0.1
MLVA06V18C130	0603	14	18	17.6-26.4	40	130	30	0.1
MLVA06V26C100	0603	20	26	24.8-37.2	58	100	30	0.1

Working Voltage V_{rms} - Maximum AC operating voltage the varistor can maintain and not exceed 10 μA leakage current for 0402, 0603. Working Voltage V_{dc} - Maximum DC operating voltage the varistor can maintain and not exceed 10 μA leakage current for 0402, 0603.

Varistor Voltage - Voltage across the device measured at 1 mA DC current. Equivalent to V_B, "breakdown voltage."

Clamping Voltage - Maximum peak voltage across the varistor with 8/20 μs waveform and 1 A pulse current.

Capacitance - Device capacitance measured with zero volt bias 1 V_{rms} at 1 MHz.

Peak Current - Maximum peak current which may be applied with 8/20 μs waveform without device failure.

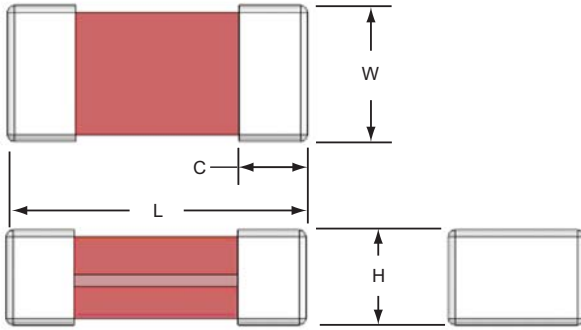
Transient Energy - Maximum energy which may be dissipated with the 10/1000 μs waveform without device failure.



Powering Business Worldwide

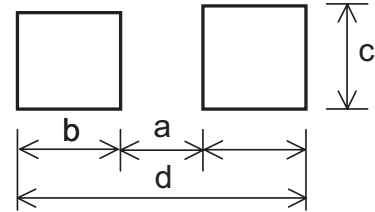
Discontinued effective February 26, 2016 or until inventory is depleted. Recommended replacement part MLVA-R data sheet #10493

Dimensions - mm



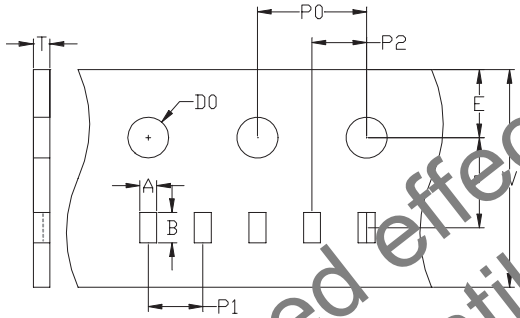
Size	L	W	H	C
0201	0.60±0.05	0.30±0.05	0.30±0.05	0.20±0.10
0402	1.00±0.15	0.50±0.10	0.50±0.10	0.25±0.15
0603	1.60±0.15	0.80±0.10	0.80±0.10	0.30±0.20

Recommended Pad Layout - mm (in)



Size	a	b	c	d
0201	0.23 (0.009)	0.30 (0.012)	0.45 (0.018)	0.83 (0.033)
0402	0.51 (0.020)	0.61 (0.024)	0.51 (0.020)	1.70 (0.067)
0603	0.50 (0.020)	1.02 (0.040)	0.76 (0.030)	2.54 (0.100)

Tape Packaging Specifications - mm



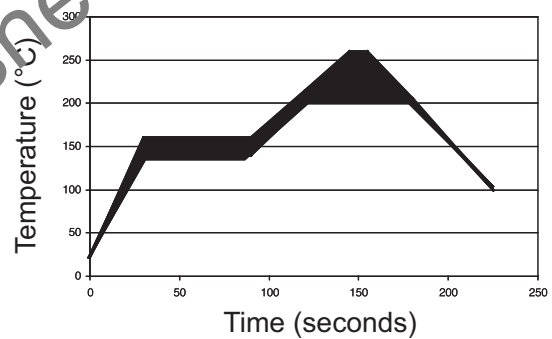
0201 Carrier Dimensions									
A	B	W	E	P0	P1	P2	D0	T	
0.37 ±0.03	0.69 ±0.03	8.0 ±0.1	1.75 ±0.05	3.5 ±0.05	4.0 ±0.1	2.0 ±0.05	2.0 ±0.05	1.55 ±0.05	0.42 ±0.03
0402 Carrier Dimensions									
0.58 ±0.03	1.2 ±0.03	8.0 ±0.1	1.75 ±0.05	3.5 ±0.1	4.0 ±0.1	2.0 ±0.05	2.0 ±0.05	1.55 ±0.05	0.60 ±0.03
0603 Carrier Dimensions									
1.05 ±0.15	1.90 ±0.15	8.0 ±0.30	1.75 ±0.10	3.50 ±0.10	4.0 ±0.10	2.00 ±0.05	2.00 ±0.10	1.50 ±0.10	-

Environmental Specifications

Characteristic	Value
Bias Humidity	+40°C, 90% RH for 1000 hours
Thermal Shock	+40°C to +85°C, 30 minute cycle, 5 cycles
Operating Temperature Range	-40°C to +85°C
Storage Temperature Range	-40°C to +85°C
Full Load Voltage	Working Voltage, 85°C, 1000 hours

Soldering Recommendations

- Compatible with lead and lead free solder reflow processes
- Peak reflow temperatures and durations:
 - IR Reflow = 260°C max for 30 sec. max.
 - Wave Solder = 260°C max. for 10 sec. max.
- Recommended IR Reflow Profile:



Life Support Policy: Eaton does not authorize the use of any of its products for use in life support devices or systems without the express written approval of an officer of the Company. Life support systems are devices which support or sustain life, and whose failure to perform, when properly used in accordance with instructions for use provided in the labeling, can be reasonably expected to result in significant injury to the user.

Eaton reserves the right, without notice, to change design or construction of any products and to discontinue or limit distribution of any products. Eaton also reserves the right to change or update, without notice, any technical information contained in this bulletin.

Eaton
Electronics Division
1000 Eaton Boulevard
Cleveland, OH 44122
United States
www.eaton.com/electronics

© 2017 Eaton
All Rights Reserved
Printed in USA
Publication No. 4070 BU-SB10346
August 2017

Eaton is a registered trademark.

All other trademarks are property of their respective owners.