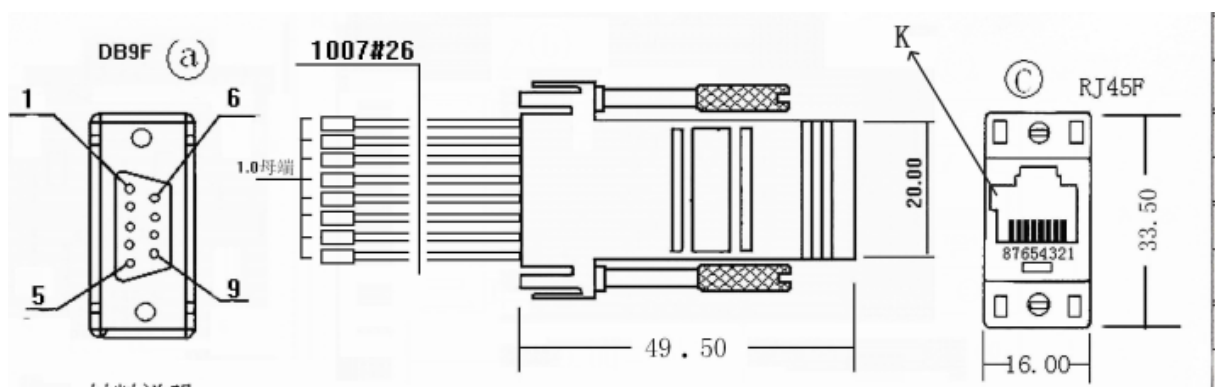


## Data Sheet

### D-SUB adapter D-SUB-socket 9-pin female to RJ45 socket



#### Technical data

Number of pins: 9P

Material: ABS

Connector Type: Adapter, straight

Contact material: Copper

Operating Temperature: -40°C-80°C