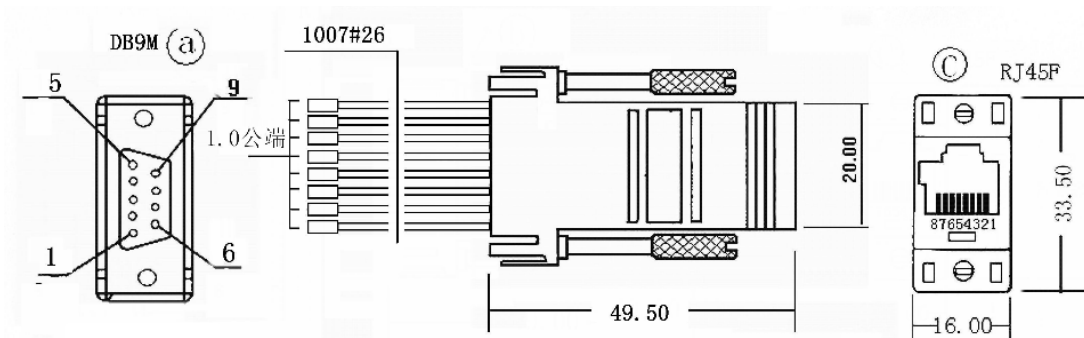


Data Sheet

D-SUB Adaptor 09PIN MALE to RJ45



Technical data

Number of pins: 9P

Material: ABS

Connector Type: Adapter straight

Contact material: Copper

Operating Temperature: -40°C to 80°C