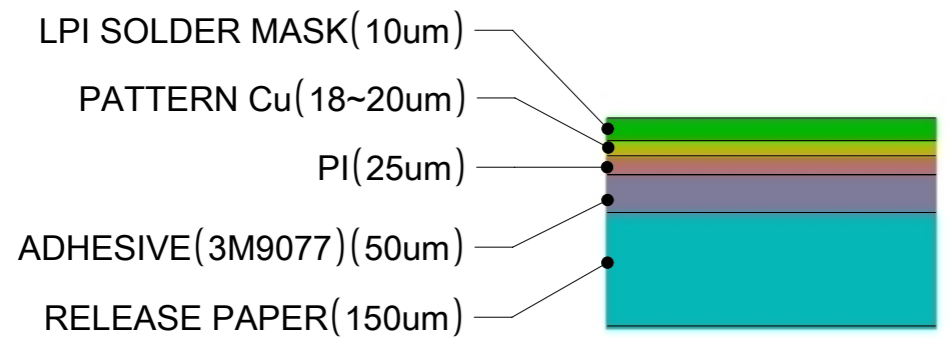
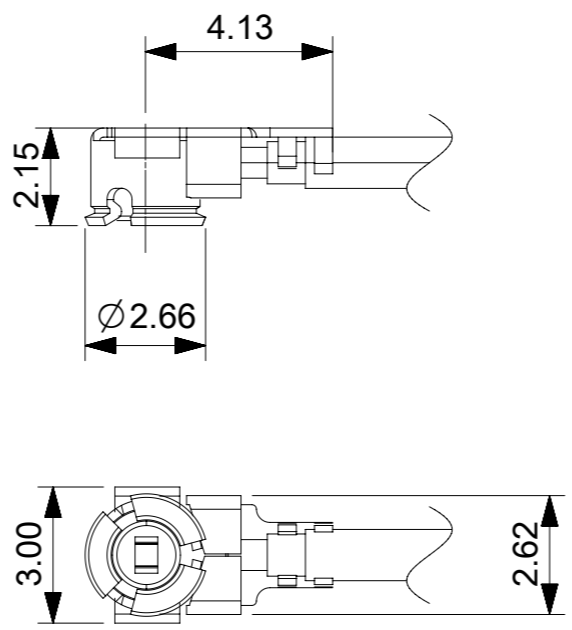


3D VIEW



FLEX LAYER
DETAIL A
SCALE 100:1



CONNECTOR

- NOTES:
- MATERIAL:
 FLEX SIZE:40.4*15.4mm
 CABLE:Ø1.13mm
 CONNECTOR:OD1.13 RF 2.5H MHF-13-N-01 CONNECTOR (PLUG GOLD PLATED)
 - SOLDER MASK:BLACK.
 - FOR PULL TEST, CAN NOT LIFT UP IN THE VERTICAL DIRECTION.
 - APPLICATION SPEC PLEASE REFER TO AS OF 2072350100.
 - PRODUCT SPEC PLEASE REFER TO PS OF 2072350100.
 - PACKAGING DRAWING PLEASE REFER TO PK OF 2072350100.
 - THE CONNECTOR WILL BE PROTECTED WITH A CAP.

ITEM	MATERIAL NO.	CABLE LENGTH"L1"	CABLE LENGTH"L2"
1	2072350100	93.5mm	100mm
2	2072350150	143.5mm	150mm
3	2072350200	193.5mm	200mm

SYMBOLS DIMENSION UNITS: mm SCALE: 2.5:1 GENERAL TOLERANCES (UNLESS SPECIFIED) ANGULAR TOL ± ° 4 PLACES ± 3 PLACES ± 0.05 2 PLACES ± 0.15 1 PLACE ± 0.2 0 PLACES ± 0.5 DRAFT WHERE APPLICABLE MUST REMAIN WITHIN DIMENSIONS	THIS DRAWING CONTAINS INFORMATION THAT IS PROPRIETARY TO MOLEX ELECTRONIC TECHNOLOGIES, LLC AND SHOULD NOT BE USED WITHOUT WRITTEN PERMISSION		CURRENT REV DESC:		
	EC NO: 174969		2018/04/12		
	DRWN: KCHENG06		2018/05/11		DOCUMENT NUMBER: 2072350100 DOC TYPE: PSD DOC PART: SD REVISION: A
	CHK'D: KCHENG06		2018/05/11		
APPR: XJSONG		2018/05/11		MATERIAL NUMBER: SEE TABLE CUSTOMER: GENERAL MARKET SHEET NUMBER: 1 OF 1	
DOCUMENT STATUS: P1 RELEASE DATE: 2018/05/11 09:17:21		THIRD ANGLE PROJECTION 		DRAWING: A3-SIZE SERIES: 207235	