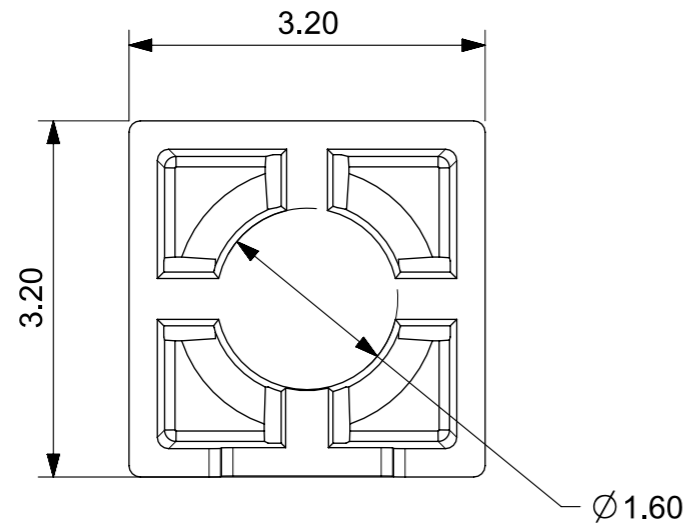
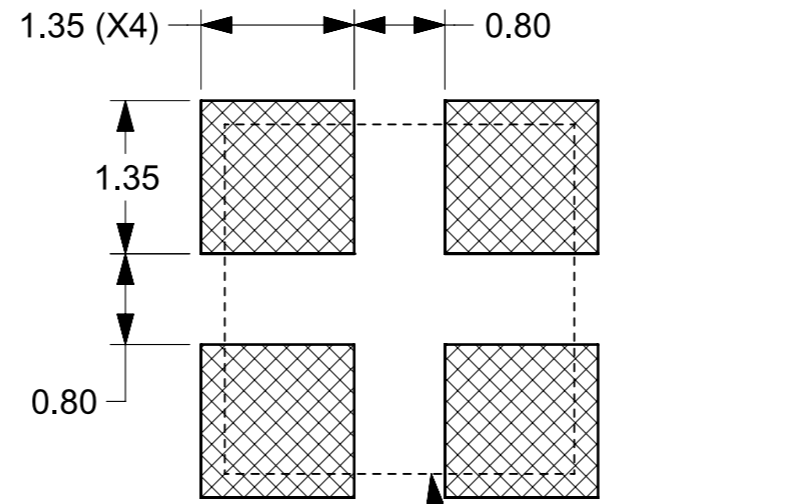


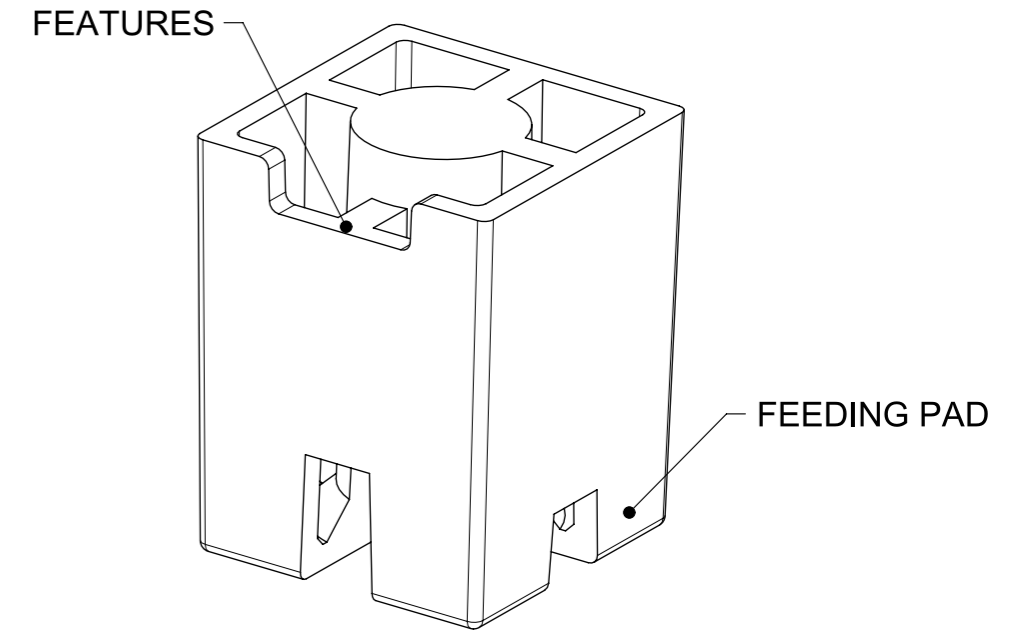
4	3	2	1
REV	DATE	DESCRIPTION	
E	2020/05/11	UPDATE PCB PAD	



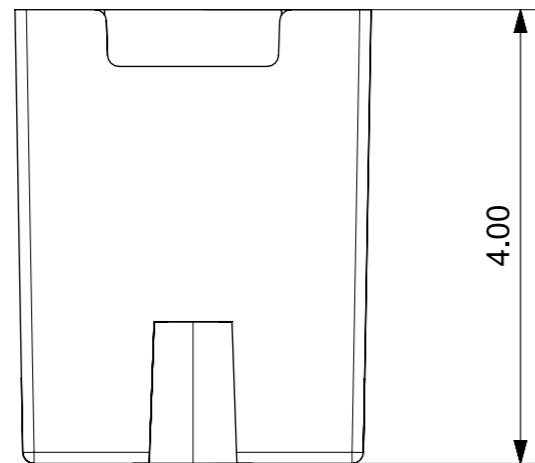
TOP VIEW



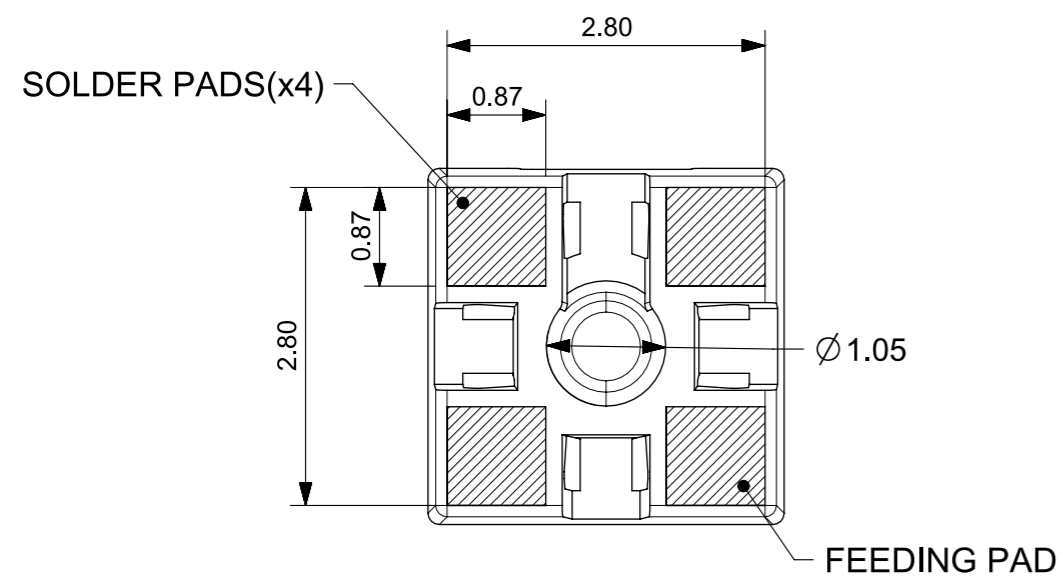
RECOMMENDED PCB LAYOUT



3D VIEW



SIDE VIEW



PADS OF PRODUCT FOR SOLDER
BOTTOM VIEW

NOTES:

1. MATERIAL:LCP-LDS,COLOR:BLACK.
2. FOR PCB DETAILS,PLEASE SEE THE MOLEX P/N : 479489001.
3. PACKING SPEC REFER TO PK OF 479480001.
4. PRODUCT SPEC REFER TO PS OF 479480001.
5. APPLICATION SPEC REFER TO AS OF 479480001.

FUNCTIONAL SYMBOLS	THIS DRAWING CONTAINS INFORMATION THAT IS PROPRIETARY TO MOLEX ELECTRONIC TECHNOLOGIES, LLC AND SHOULD NOT BE USED WITHOUT WRITTEN PERMISSION		CURRENT REV DESC: EC DESCRIPTION		molex						
	▽A = 0	mm	SCALE	15:1							
▽E = 0	GENERAL TOLERANCES (UNLESS SPECIFIED)				SD FOR 2.4GHz MID SMT ANTENNA						
▽F = 0	ANGULAR TOL ± 0.5°										
DIVISIONAL SYMBOLS	4 PLACES	±	EC NO: 637286		PRODUCT DESIGN DRAWING						
	3 PLACES	±	DRWN: KCHENG06 2020/05/11								
	2 PLACES	±	CHK'D: CZHOU05 2020/05/11								
	1 PLACE	±	APPR: XJSONG 2020/05/11								
	0 PLACES	±	INITIAL REVISION:								
DRAFT WHERE APPLICABLE MUST REMAIN WITHIN DIMENSIONS		THIRD ANGLE PROJECTION	DRAWING	SERIES	MATERIAL NUMBER	CUSTOMER	DOCUMENT NUMBER	DOC TYPE	DOC PART	REVISION	
			A3-SIZE	47948	479480001	GENERAL MARKET	479480001	PSD	SD	E	
DOCUMENT STATUS		RELEASE DATE		SHEET NUMBER		1 OF 1					