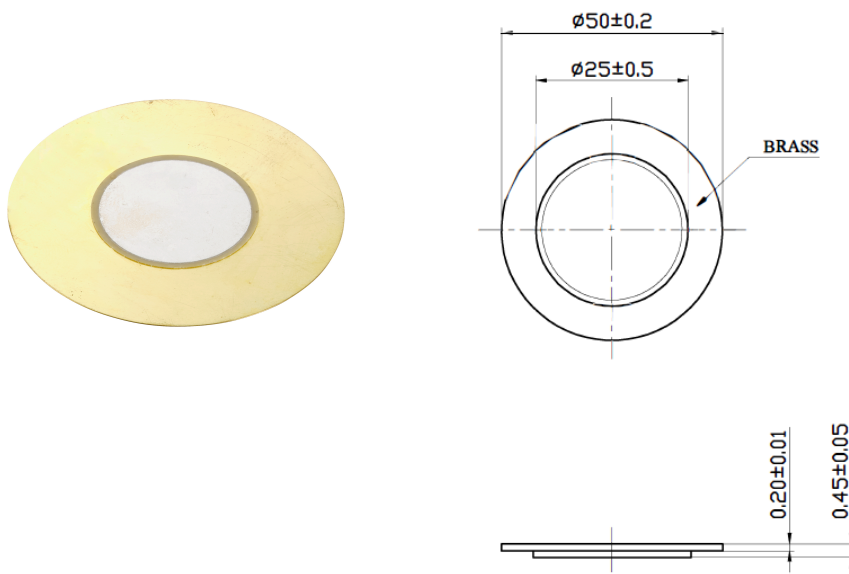


## Data Sheet

### Piezo ceramic element (external drive type) 30V



### Technical data

This specification is applied to the piezo element (at 25°C)

Resonant Frequency	3.0KHz $\pm$ 0.5 KHz
Resonant Resistance	500 $\Omega$ max.
Capacitance	35000pF $\pm$ 30% at 100 Hz
Input Voltage	30Vp-p max.
Cable length	Open end appx. 150 mm with O.D. 0.8mm <sup>2</sup>
Sound signal type	Continuous signal tone
Operating Temperature	-20°C to 50°C
Storage Temperature	-20°C to 70°C