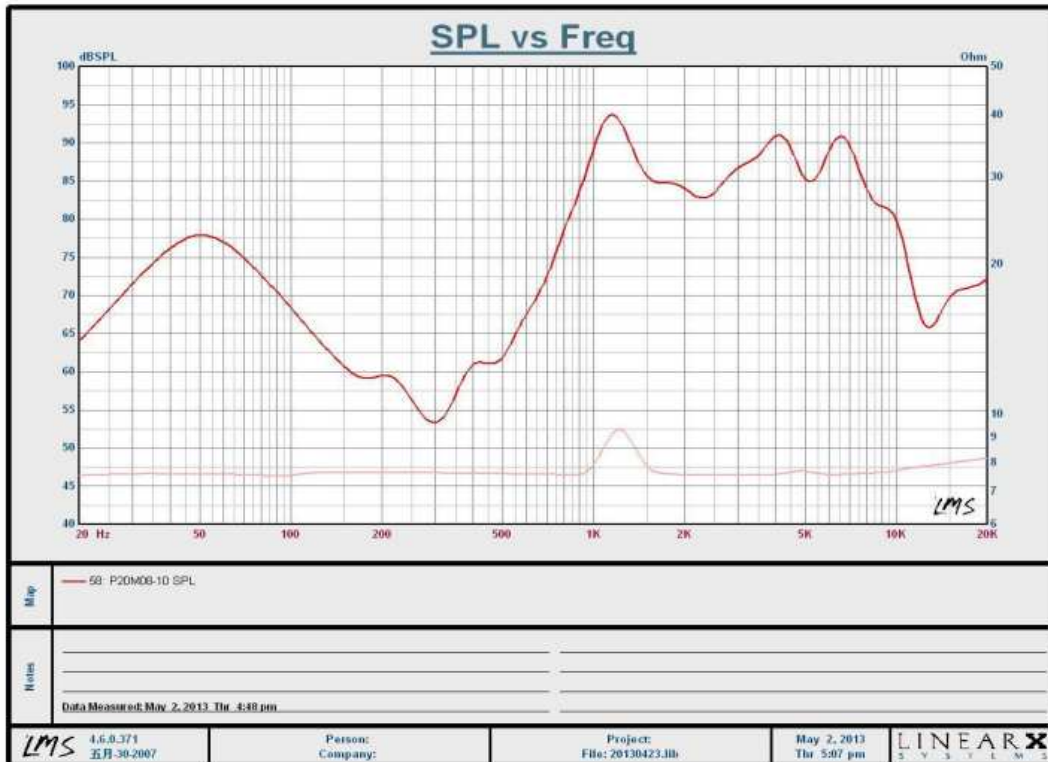
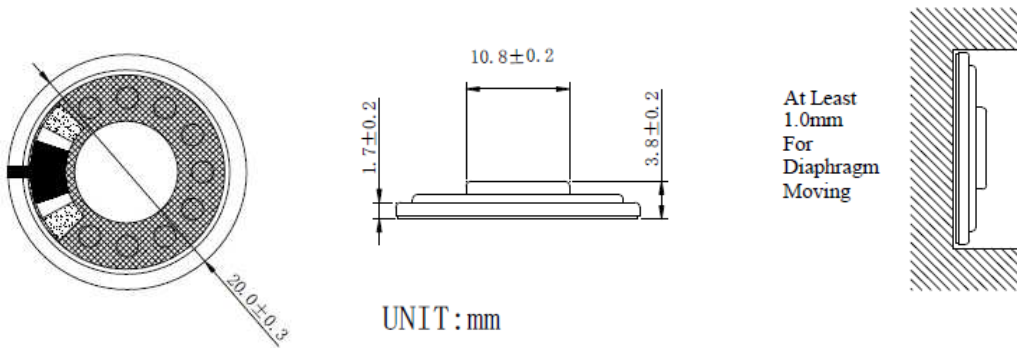


Data Sheet

Miniature speaker 8 Ω 87 dB Ø20 mm



Data Sheet

Technical specification:

| | |
|---|---|
| Product dimension | Ø20mm x 3.80 (height) mm |
| Magnet size | Ø8 x 1 mm |
| Nominal Impedance | 8 Ohm±15% At 1000 Hz |
| Normal Power | 0.5 W |
| Max. power | 1.0 W |
| Lowest Resonant Power | 1250 ± 20%Hz |
| Output Sound Pressure Level (S.P.L.) | 87 ± 3 dB/1W Average at 800,1000,1200,1500 Hz. |
| Frequency | 300~3K Hz , Average SPL-10 dB |
| Distortion | 3 % Max. At 1000 Hz |
| Weight | 2.3 g ± 0.5 g |
| Operation Temperature | -25°C to +50 °C |
| Storage Temperature | -25 °C to +60 °C |