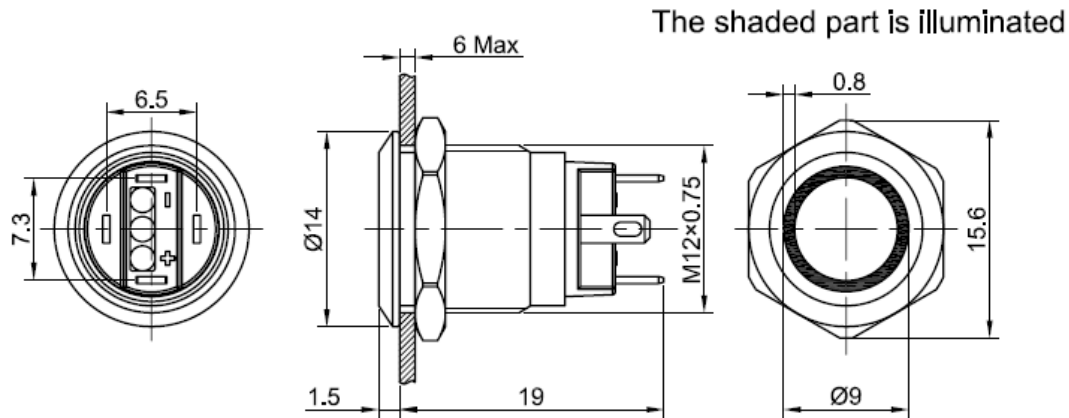


Item no.: 2522724, 2522725, 2522726, 2522727

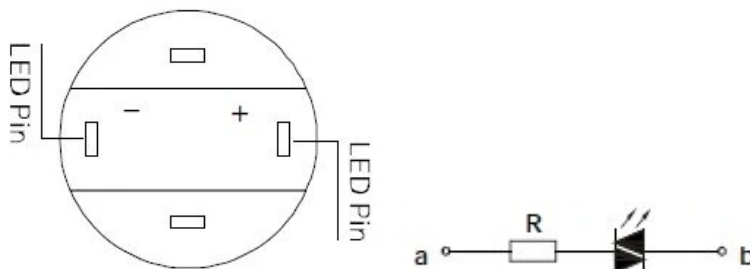
Data Sheet

Push button switch

Version 08/22



6MAX: means the panel thickness, the max thickness for the panel no more than 6mm.



Using AC/DC LED lamp, the terminals have no difference of anode and cathode: Using inner resistor, do not need to connect outer resistor

Specification

Mounting diameter	13 mm
Head shape	Flat round head
Operation type	Momentary
Contact structure	1NO
Switch rating	2A/48VDC
Illumination type	Ring
Terminal	Soldering Pins
Body material	Stainless steel
Operating and storage temperature	-25 to +55 °C
Operating and storage humidity	45 to 85 % RH
Base material	PA
IP rating	IP67
Mechanical lifetime.....	50,000 cycles
Electrical lifetime	200,000 cycles
Dielectric strength.....	1500 V AC, 50HZ, 1 minute
Insulation resistance.....	≥ 100MΩ (500VDC)

Item no.: 2522724, 2522725, 2522726, 2522727

Data Sheet

Item no.	LED color	LED voltage / Current
2522724	Red	24 V / 15 mA
2522725	Green	24 V / 15 mA
2522726	Blue	24 V / 15 mA
2522727	White	24 V / 15 mA