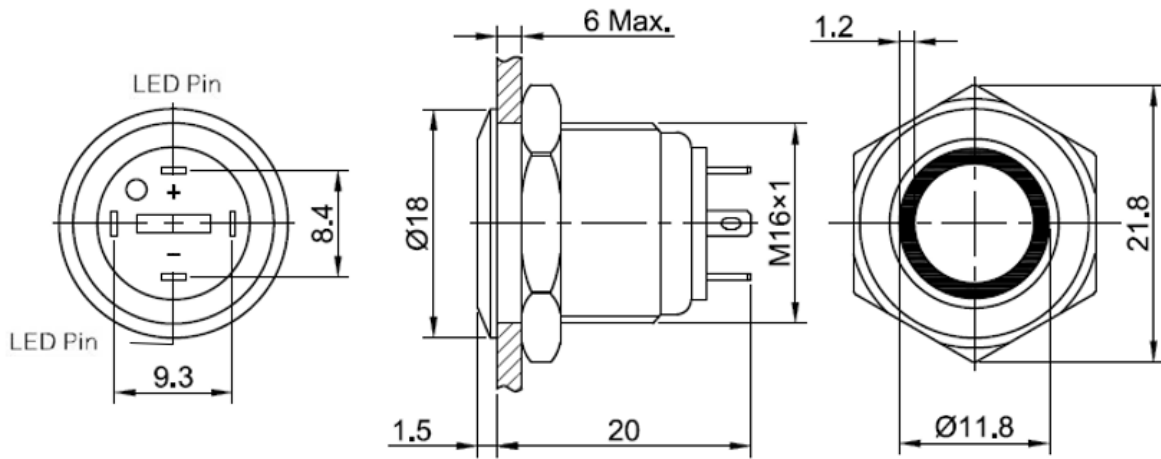


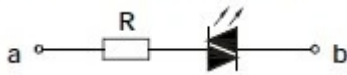
# Data Sheet

## Push button switch

Version 08/22



6MAX: means the panel thickness, the max thickness for the panel no more than 6mm.



Using AC/DC LED lamp, the terminals have no difference of anode and cathode: Using inner resistor, do not need to connect outer resistor

## Specification

Mounting diameter .....	17 mm
Head shape .....	Flat round head
Operation type .....	Momentary
Contact structure .....	1NO
Switch rating .....	2A/48VDC
Illumination type .....	Ring
Terminal .....	Soldering Pins
Body material .....	Stainless steel
Operating and storage temperature .....	-25 to +55 °C
Operating and storage humidity .....	45 to 85 % RH
Base material .....	PA
IP rating .....	IP65
Mechanical lifetime.....	1,000,000 cycles
Electrical lifetime .....	50,000 cycles
Dielectric strength.....	1500V AC, 50HZ, 1 minute
Insulation resistance.....	≥ 100MΩ (500VDC)

## Data Sheet

---

Item no.	LED color	LED voltage / current
2522728	Red	24 V / 15 mA
2522729	Green	24 V / 15 mA
2522730	Blue	24 V / 15 mA
2522731	White	24 V / 15 mA