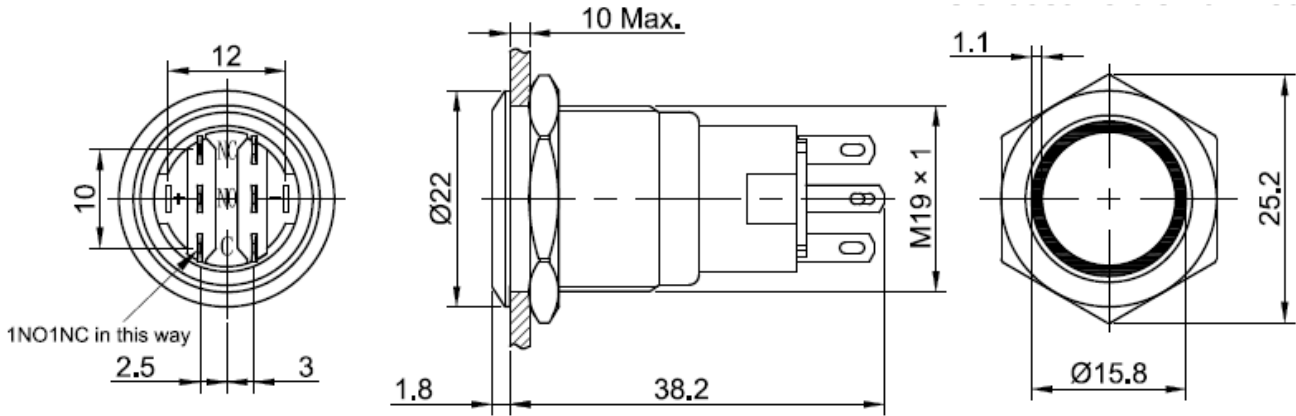


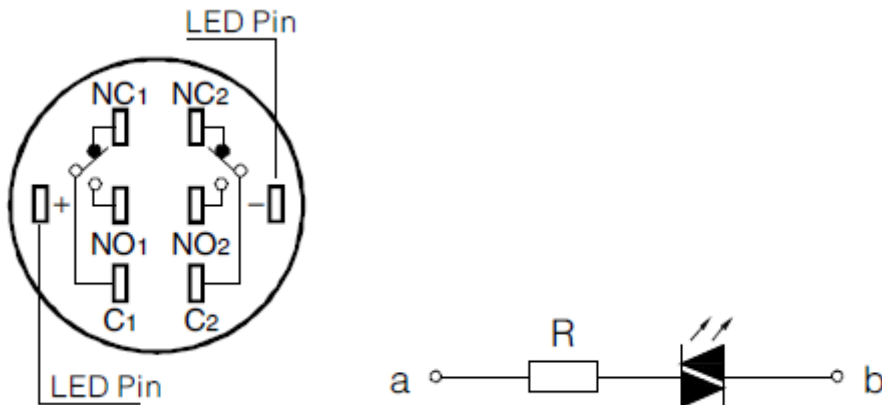
Data Sheet

Push button switch

Version 08/22



10MAX: means the panel thickness, the max thickness for the panel no more than 10mm.



Using AC/DC LED lamp, the terminals have no difference of anode and cathode: Using inner resistor, do not need to connect outer resistor

Specification

Mounting diameter	20 mm
Head shape	Flat round head
Operation type	Momentary / Latching
Contact structure	1NO1NC / 2NO2NC
Switch rating	3 A / 250 VAC
Illumination type	Ring
Terminal	Soldering Pins
Body material	Stainless steel
Operating and storage temperature	-25 to +55 °C

Data Sheet

Operating and storage humidity	45 to 85 % RH
Base material	PA
IP rating	IP65
Mechanical lifetime.....	1,000,000 cycles
Electrical lifetime	50,000 cycles
Dielectric strength.....	1500 VAC, 50HZ, 1 minute
Insulation resistance.....	≥ 100 MΩ (500 VDC)

Item No.	LED color	Contact structure	Function	LED voltage / current
2522732	Red	1NO1NC	Momentary	24 V / 15 mA
2522733	Green	1NO1NC	Momentary	24 V / 15 mA
2522734	Blue	1NO1NC	Momentary	24 V / 15 mA
2522735	White	1NO1NC	Momentary	24 V / 15 mA
2522736	Red	1NO1NC	Latching	24 V / 15 mA
2522737	Green	1NO1NC	Latching	24 V / 15 mA
2522738	Blue	1NO1NC	Latching	24 V / 15 mA
2522739	White	1NO1NC	Latching	24 V / 15 mA
2522740	Red	2NO2NC	Momentary	24 V / 15 mA
2522741	Green	2NO2NC	Momentary	24 V / 15 mA
2522742	Blue	2NO2NC	Momentary	24 V / 15 mA
2522743	White	2NO2NC	Momentary	24 V / 15 mA
2522744	Red	2NO2NC	Latching	24 V / 15 mA
2522745	Green	2NO2NC	Latching	24 V / 15 mA
2522746	Blue	2NO2NC	Latching	24 V / 15 mA
2522747	White	2NO2NC	Latching	24 V / 15 mA