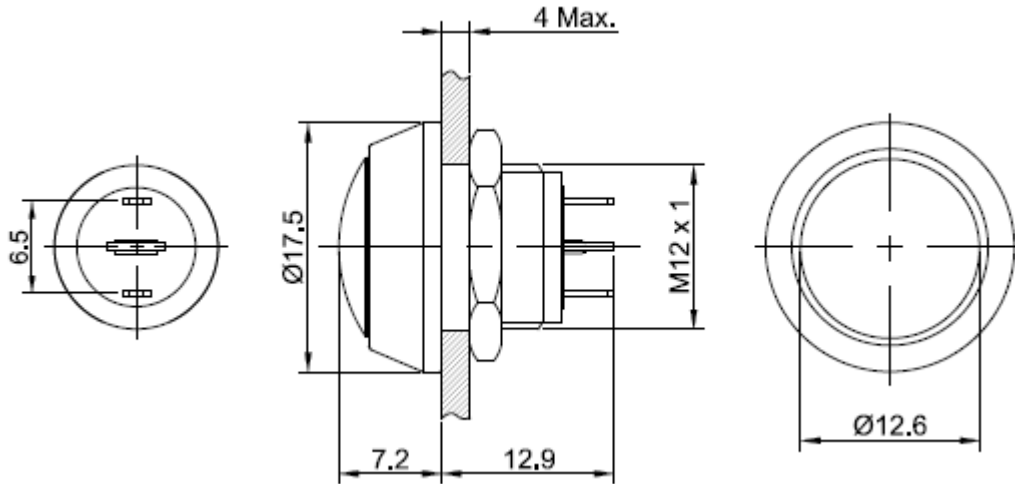


Push button switch

Version 08/22



4MAX: means the panel thickness, the max thickness for the panel no more than 4mm.

Specification

Mounting diameter	13mm
Head shape	Domed head
Operation type	Momentary
Contact structure	1NO
Switch rating	2A/48VDC
Terminal	Soldering Pins
Body material	Nickel plated brass / Stainless steel
Operating and storage temperature	-25 to +55 °C
Operating and storage humidity	45 to 85 % RH
Base material	PA
IP rating	IP65
Mechanical lifetime.....	1,000,000 cycles
Electrical lifetime	200,000 cycles
Dielectric strength.....	1500V, AC 50HZ, 1 minute
Insulation resistance.....	≥ 100MΩ (500VDC)

Item no.	Material
2522748	Nickel plated brass
2522749	Stainless steel