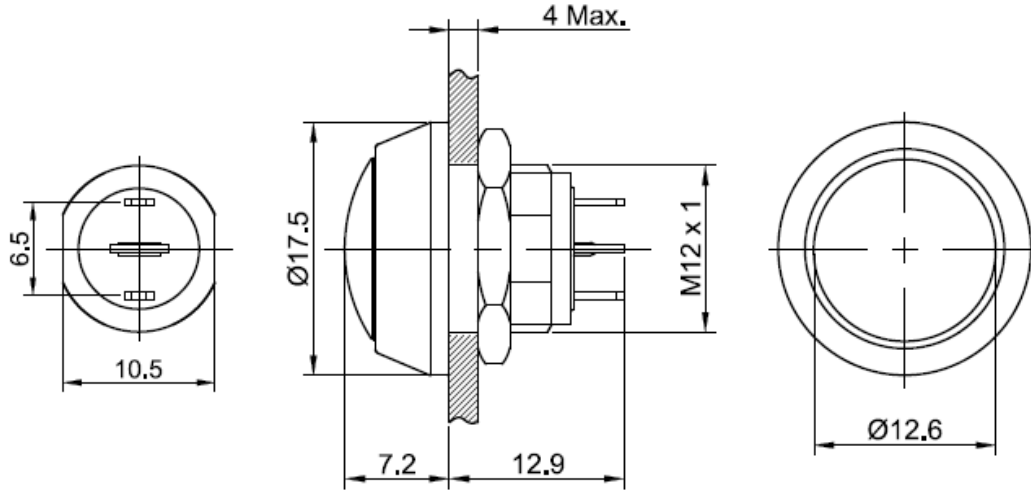


Data Sheet

Push button switch

Version 08/22



4MAX: means the panel thickness, the max thickness for the panel no more than 4mm.

Specification

Mounting diameter	13mm
Head shape	Domed head
Operation type	Momentary
Contact structure	1NO
Switch rating	2 A/48 VDC
Terminal	Soldering Pins
Body material	Zn-Al alloy
Operating and storage temperature	-25 to +55 °C
Operating and storage humidity	45 to 85 % RH
Base material	PA
IP rating	IP65
Mechanical lifetime.....	1,000,000 cycles
Electrical lifetime	200,000 cycles
Dielectric strength.....	1500V, AC 50HZ, 1 minute
Insulation resistance.....	≥ 100MΩ (500VDC)

Item no.	Head color
2522750	Red
2522751	Green
2522752	Blue
2522753	Black