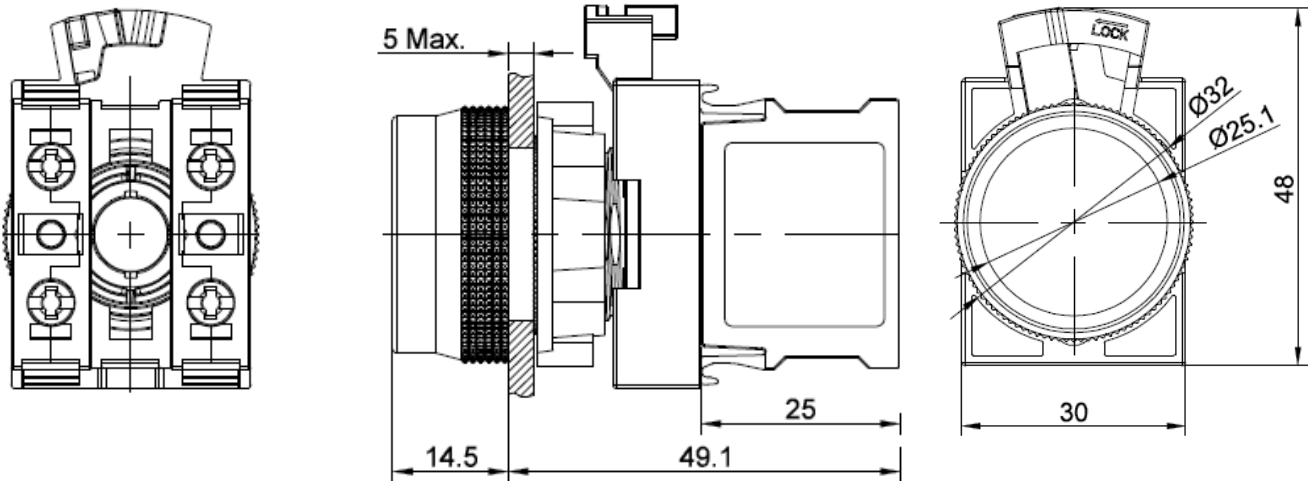


Data Sheet

Push button switch

Version 10/23



Specification

Mounting diameter.....	22 mm
Head shape.....	Round head
Operation type.....	Momentary/latching
Contact structure.....	1NO1NC
Switch rating.....	Ie/Ue: 5A/250AC
Terminal.....	Screw terminal
Operating and storage temperature.....	-25 to +55°C
Operating and storage humidity.....	45 to 85 % RH
IP rating.....	IP40
Mechanical lifetime.....	1,000,000 (momentary) / 500,000(latching)
Electrical lifetime.....	50,000 cycles
Dielectric strength.....	3000V, AC 50HZ, 1 minute
Insulation resistance.....	≥ 100MΩ

Item no.	Operation type	Head color (w/o illumination)
2522754	Momentary	Red
2522755	Momentary	Green
2522756	Momentary	Blue
2522757	Latching	Red
2522758	Latching	Green
2522759	Latching	Blue