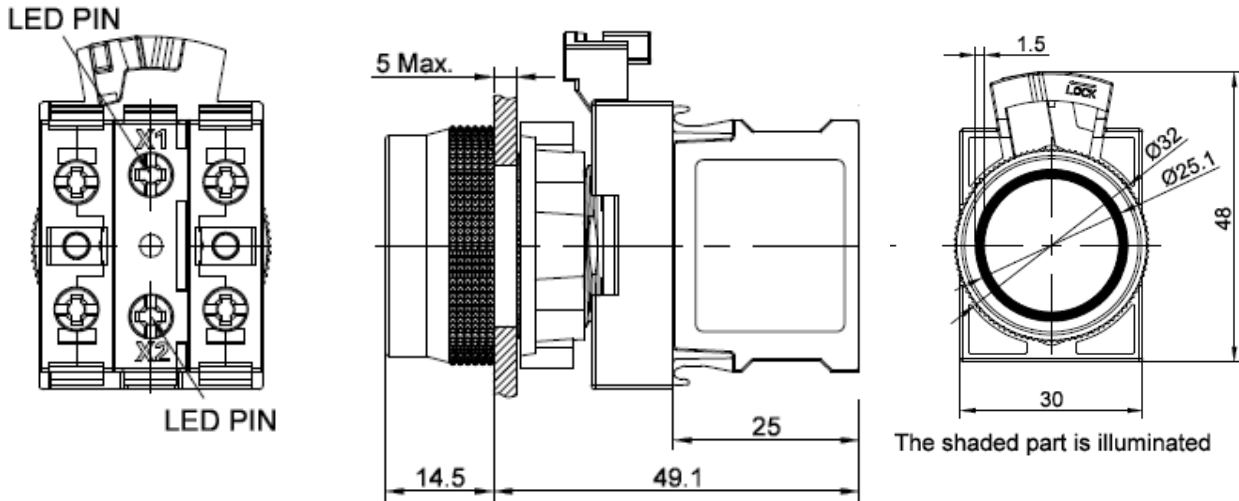


# Data Sheet

## Push button switch

Version 10/23



### Specification

Mounting diameter.....	22 mm
Head shape.....	Round head
Operation type.....	Momentary/latching
Illumination.....	Ring illumination
Contact structure.....	1NO1NC
Switch rating.....	Ie/Ue: 5A/250AC
Terminal.....	Screw terminal
Operating and storage temperature.....	-25 to +55°C
Operating and storage humidity.....	45 to 85 % RH
IP rating.....	IP40
Mechanical lifetime.....	1,000,000 (momentary) / 500,000(latching)
Electrical lifetime.....	50,000 cycles
Dielectric strength.....	3000V, AC 50HZ, 1 minute
Insulation resistance.....	≥ 100MΩ

Item no.	Operation type	ring color	LED voltage
2522760	Momentary	Red	12 V-24 V
2522761	Momentary	Green	12 V-24 V
2522762	Momentary	Blue	12 V-24 V
2522763	Latching	Red	12 V-24 V
2522764	Latching	Green	12 V-24 V
2522765	Latching	Blue	12 V-24 V