

MSW - SWITCH-DISCONNECTORS

Safety in every movement



Motors | Automation | Energy | Transmission & Distribution | Coatings



Switch-Disconnectors MSW

Summary

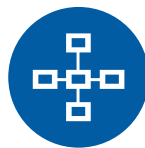
Introduction	04
General Characteristics	06
Selection	08
Change-Over Switch	10
Switch-Disconnectors in Thermoplastic Enclosure	12
Switch-Disconnectors	13
Accessories	15
Dimensions	17

SAFETY IN EVERY MOVEMENT

MSW switch-disconnectors were developed according to IEC 60947-3 / UL 508 and enable the manual drive of motors, machines and other equipment. They are also used to drive and interrupt electrical circuits under load conditions.



Modern and compact design, demanding little installation space



Complete accessory line



Terminals with IP20 degree of protection



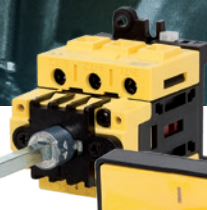
IP65 protection rating handles that allow the use of up to three padlocks and door interlocking



ON/OFF indication on the handle



Two mounting options for the switch-disconnectors, meeting the needs of different applications



Mounting on base

Switch-disconnector in IP65 enclosure



Mounting on base - direct command switch



Mounting on base - change-over switch



Mounting on top

General Characteristics

EN 60947-3 characteristics			MSW 12	MSW 16	MSW 20	MSW 25 MSWB 25	MSW 40 MSWB 40	MSW 63 MSWB 63	MSW 80 MSWB 80	MSW 100	
Rated operating voltage Ue	V		690								
Rated insulation voltage Ui	V		690								
Rated impulse withstand voltage Uimp	kV		4	4	4	8	8	8	8	8	
Rated thermal current Ith = Iu	A		16	20	25	32	40	63	80	100	
Rated thermal current in enclosed Ithe	A		12	16	20	32	40	63	80	86	
Frequency	Hz		50/60								
Rated operating current Ie: alternate current											
AC-21 A	690 V	A	12	16	20	32	40	63	80	100	
AC-22 A	500 V	A	-	-	-	-	-	-	-	100	
	690 V	A	12	16	20	25	32	63	80	86	
AC-23 A	3 phases 3 poles	230 V	A/kW	10/3	13/4	16/5	25/7.5	32/10	63/20	80/25	70/22
		400 V	A/kW	10/5.5	13/7.5	16/9	25/15	32/18.5	50/28	75/42	67/37
		500 V	A/kW	10/7.5	14/10	16/11	25/15	32/22	50/35	75/52	67/45
		690 V	A/kW	10/7.5	14/10	16/12.5	16/15	20/18.5	26/25	32/31	38/37
AC-3	2 phases 2 poles	110 V	A/kW	10/0.75	12/1.1	16/1.5	-	-	-	-	-
		230 V	A/kW	10/2	12/2.2	16/3.5	-	-	-	-	-
	3 phases 3 poles	230 V	A/kW	8/2.2	10/3	12/4	22/5.5	27/7.5	45/14	60/19	60/18.5
		400 V	A/kW	8/4	10/5.5	12/6.5	22/11	27/15	40/22	60/30	55/30
Rated interruption current AC-23 A (cos-φ 0.45)	3 phases 3 poles	500 V	A/kW	8/5.5	10/7.5	12/8	22/11	27/18.5	35/24	45/31	55/37
		690 V	A/kW	6/5.5	8/7.5	10/9	16/11	20/15	22/21	25/24	32/30
		230 V	A	80	104	128	200	256	360	600	560
		400 V	A	80	104	128	200	256	360	536	536
Rated short-time short circuit withstand current - Icw (1s)	3 phases 3 poles	500 V	A	80	112	128	200	256	280	536	536
		690 V	A	80	112	128	128	160	176	256	304
		690 V	A	300	300	300	800	800	1,200	1,500	1,500
Short-circuit making capacity (peak value) - Icm	A		1,200	1,200	1,200	1,500	1,500	2,200	2,800	2,840	
Conditional rated short circuit withstand current	kA		5	5	5	10	10	10	10	10	
Fuse rating gG	500 V	A	-	-	-	-	-	-	-	100	
	690 V	A	20	20	20	40	40	63/80	63/80	-	
UL 508 characteristics											
General use	600 V ac	A	12	16	20	32	40	60	80	100	
Standard motors load	Single-phase 2 poles	120 V ac	HP(FLA)	0.5 (9.8)	1 (16)	1.5 (20)	1.5 (20)	2 (24)	2 (24)	3 (34)	3 (34)
		240 V ac	HP(FLA)	1 (8)	1.5 (10)	2 (12)	3 (17)	5 (28)	5 (28)	7.5 (40)	10 (50)
	Single-phase 3 poles	240 V ac	HP(FLA)	3 (9.6)	5 (15.2)	5 (15.2)	7.5 (22)	10 (28)	10 (28)	15 (42)	10 (28)
		480 V ac	HP(FLA)	5 (7.6)	7.5 (11)	10 (14)	10 (14)	15 (21)	25 (34)	30 (40)	25 (34)
		600 V ac	HP(FLA)	5 (6.1)	7.5 (9)	10 (11)	15 (17)	20 (22)	30 (32)	40 (41)	30 (32)
Protection degree	Handle	EN 60529 (UL 50)	IP65 (TYPE 1 - 4 - 4X - NEMA 4X)								
	Terminals	EN 60529	IP20								
Material group	EN 60947-1		II								
Pollution grade	EN 60947-1		3								
Flammability	UL 94		V0								
Ambient temperature	Operation	°C	-25 +85				-25 +55				
	Storage	°C	-30 +85				-30 +70				
Switching force (3 poles)			0.8 Nm (7.1 lb.in.)			0.8 Nm (7.1 lb.in.)		1 Nm (8.85 lb.in.)		1.5 Nm (13.3 lb.in.)	
Connection											
Terminal block caliber	EN 60947-1		A3			A6		A8		A8	
Terminal screw			M3.5			M4		M5		M5	
Tightening torque	EN 60947-1		0.8 Nm			1.2 Nm		3 Nm		3 Nm	
	UL 508		7.5 lb.in. (0.85 Nm)			7 lb.in. (0.8 Nm)		32 lb.in. (3.6 Nm)		32 lb.in. (3.6 Nm)	
Connection cross-section											
Flexible conductors	mm ²		1x0.75/4 - 2x0.75/2.5			1.5-10		6-25		6-25	
	AWG		16-12			12-8		10-2		10-2	
Solid conductors	mm ²		1x0.75/4 - 2x0.75/2.5			1.5-10		10-25		10-35	
	AWG		16-12			12-8		10-2		10-2	
Opening angles			90°								
Mechanical life	120 operations per hour mil/cl		750,000			100,000					

Note: auxiliary contacts are not available for MSW 12, MSW 16, MSW 20 and MSW 100 switch-disconnectors

MSW 125	MSW 160	Auxiliary contacts	MSWR 25	MSWR 40	MSWR 63	MSWR 80	MSWR 125	MSWR 160
690								
800			690				800	
8	8	4	8	8	8	8	8	8
125	160	16	32	40	63	80	125	160
125	160	10	32	40	63	80	125	160
50/60								
125	160	AC-15 500 V - 4 A	32	40	63	80	125	160
125	160	DC-13 250V - 0.4A	-	-	-	-	125	160
125	160	-	25	32	63	80	125	160
125	160	-	25/7.5	32/10	63/20	80/25	-	-
125	160	-	25/15	32/18.5	50/28	75/42	125	160
100	125	-	25/15	32/22	50/35	75/52	100	125
80	100	-	16/15	20/18.5	26/25	32/31	80	100
-	-	-	-	-	-	-	-	-
-	-	-	-	-	-	-	-	-
-	-	-	22/5.5	27/7.5	45/14	60/19	-	-
-	-	-	22/11	27/15	40/22	60/30	-	-
-	-	-	22/11	27/18.5	35/24	45/31	-	-
-	-	-	16/11	20/15	22/21	25/24	-	-
-	-	-	200	256	360	600	-	-
1280	1280	-	200	256	360	536	1.000	1.280
-	-	-	200	256	280	536	800	1000
800	800	-	128	160	176	256	640	800
3,000	3,000	-	800	800	1,200	1,500	3.000	3.000
4,500	4,500	-	1,500	1,500	2,200	2,800	4.500	4.500
15	15	1	10	10	10/5	10/5	10	10
125	125	10	-	-	-	-	-	-
-	-	-	40	40	63/80	63/80	125	125
125	150	HD A600 AC Q600 DC	32	40	60	80	125	150
20 (108)	20 (108)	-	-	-	-	-	-	-
40 (104)	40 (104)	-	-	-	-	-	-	-
25 (68)	25 (68)	-	7.5 (22)	10 (28)	10 (28)	15 (42)	25 (68)	25 (68)
50 (65)	50 (65)	-	10 (14)	15 (21)	25 (34)	30 (40)	50 (65)	50 (65)
60 (62)	60 (62)	-	15 (17)	20 (22)	30 (32)	40 (41)	60 (62)	60 (62)
IP65 (TYPE 1 - 4 - 4X - NEMA 4X)		-	IP65 (TYPE 1 - 4 - 4X - NEMA 4X)					
IP20								
IIIa	IIIa		II					
3								
V0								
-25 +55								
-30 +70								
2.6 Nm (23 lb.in)		-	0.8 Nm (7.1 lb.in)		1 Nm (8.85 lb.in.)		1.5 Nm (13.3 lb.in.)	
A11		A2	A6		A8		A11	
M8		M3.5	M4		M5		M8	
6 Nm		0.8 Nm	1.2 Nm		3 Nm		6 Nm	
53 lb.in. (6 Nm)		12 lb.in (1.3 Nm)	10.6 lb.in.		32 lb.in (3.6 Nm)		53 lb.in. (6 Nm)	
10/50		1-2.5	1.5-10		6-25		6-70	
2/0-6		3/0-6	18-12		12-8		10-2	
10-70		10-70	1-2.5		1.5-10		10-25	
2/0-6		3/0-6	18-12		12-8		10-2	
90°		-	90°		90°		90°	
100,000		1,500,000	100,000		100,000		30,000	

Selection

HOW TO SELECT THE MSW ACCORDING TO YOUR APPLICATION?



The MSW line offers a range of accessories and configurations, available in the default configuration and which can be selected to suit the application requirements. Check out below the four steps necessary for the proper selection of the MSW switch-disconnector.

1 - Mounting

MSW switch-disconnectors are mounted on panel doors or bases according to the selected model.

- **Mounting on door:** in this system, the switch-disconnector is mounted on panel doors by means of screws. The switch-disconnector and the handle are always coupled.
- **Mounting on base:** the switch-disconnector is mounted on a base, like the panel plates, by screws or DIN rail. There is a shaft to couple the switch-disconnector to the handle. The uncoupling of the switch-disconnector and the handle is only possible when the switch-disconnector is in the OFF position.

2 - Current

The switch-disconnector must present a rated current capacity equal to or above the rated current of the circuit/load. The MSW switch-disconnectors withstand currents up to 160 A. The rated values are indicated in the general characteristics table (pages 6 and 7).

3 - Handle and Shaft

The handles of the MSW switch-disconnectors, developed with IP65 degree of protection, allow the use of up to three padlocks when in the OFF position, ensuring safety during maintenance.

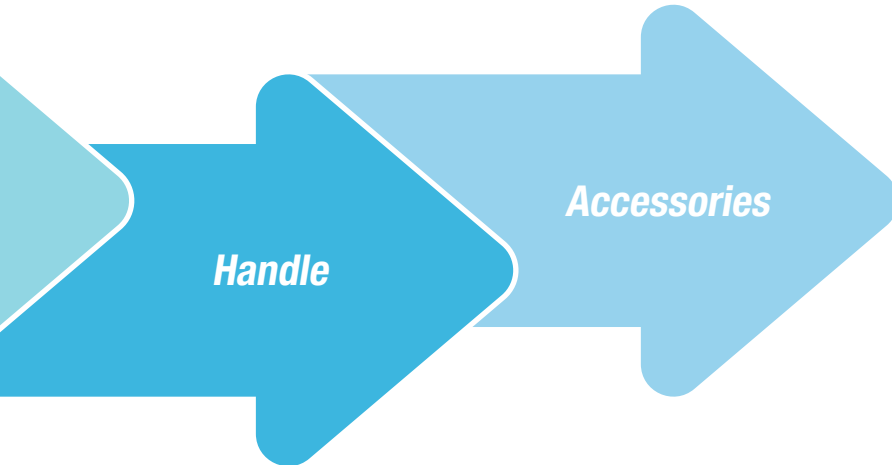
For switch-disconnectors with base mounting, besides the handle, it is necessary to use a shaft.

The shaft must have a length equal to or longer than the distance between the switch-disconnector and the handle.

The handles for the MSW switch-disconnectors are available in blue and yellow or black and gray.

With those characteristics, it is possible to define a standard switch-disconnector, but WEG offers other accessories that may be required for each application.





MSW SELECTED!

4 - Accessories

4.a - Auxiliary Contacts

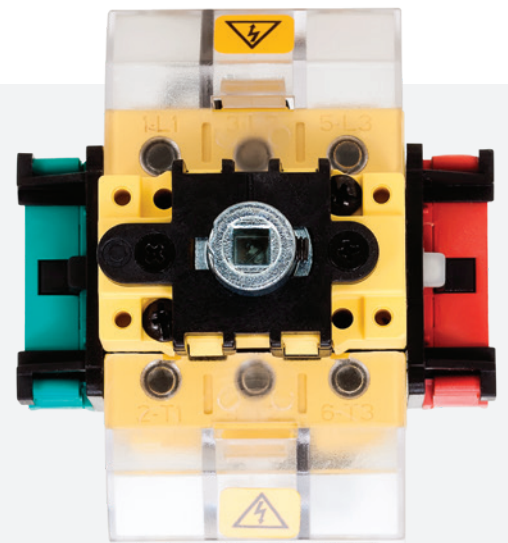
The MSW line provides auxiliary contacts for mounting on the sides of the switch-disconnector. On each side of the switch-disconnector, it is possible to mount an auxiliary contact, as shown in the figure on the right.

4.b - Terminal Cover

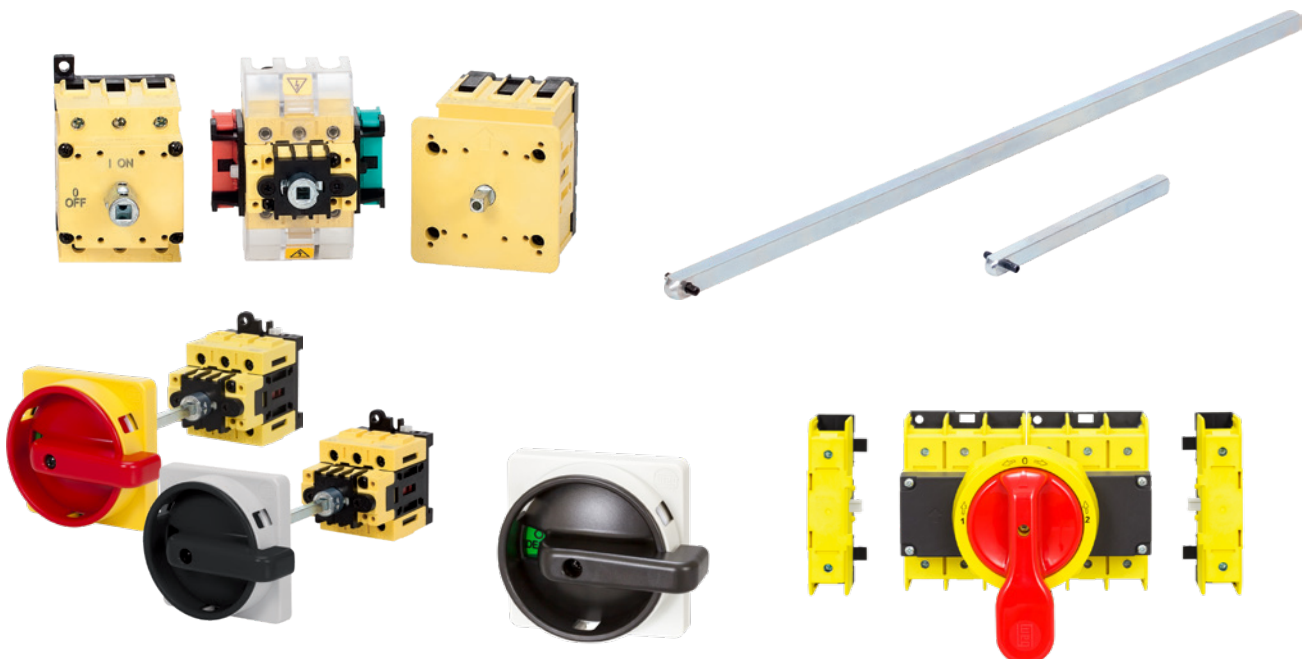
In compliance with the Brazilian regulatory standard NR10, the MSW line offers terminal covers for protection against inadvertent touches, reducing the risk of direct contact with the switch-disconnector terminals.

4.c - Additional Pole

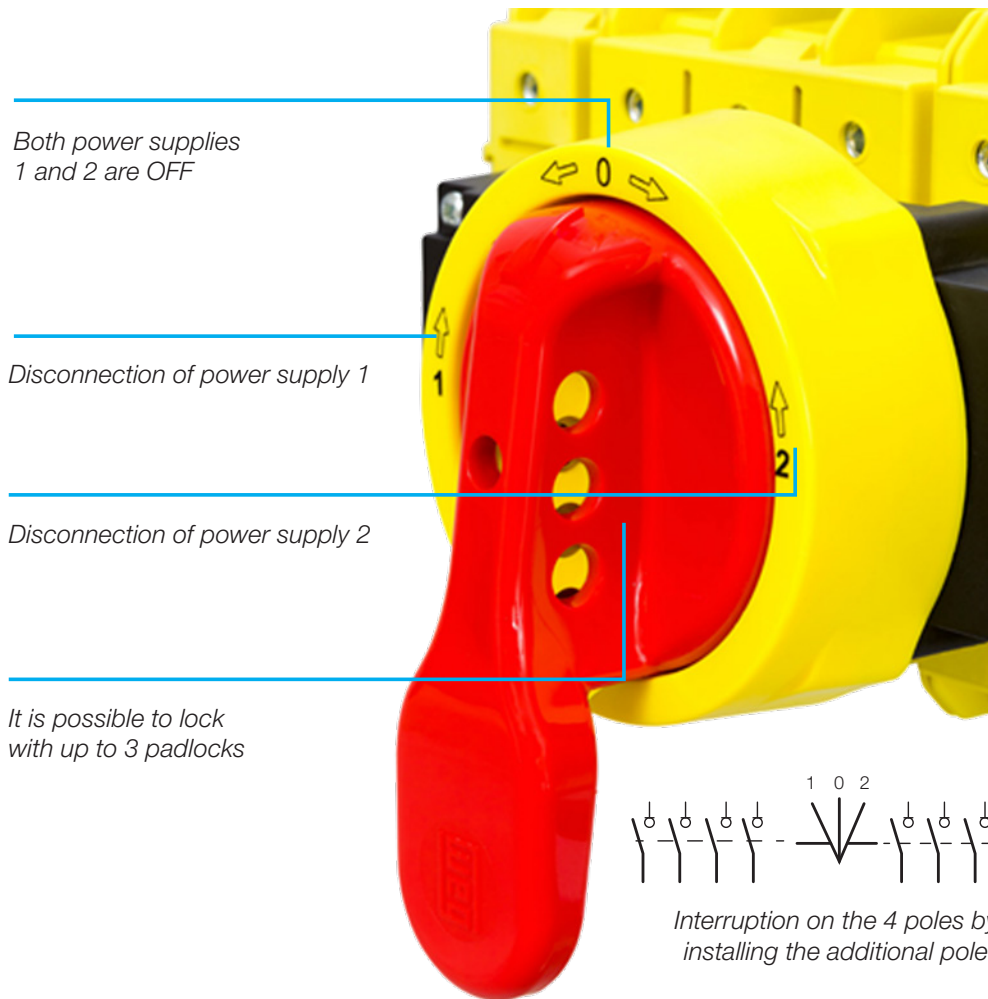
For applications that require disconnection of the neutral, the MSW line has an additional neutral pole, which can be mounted on the side of the switch disconnector.



Example of a switch-disconnector with two auxiliary contacts and two terminal covers.



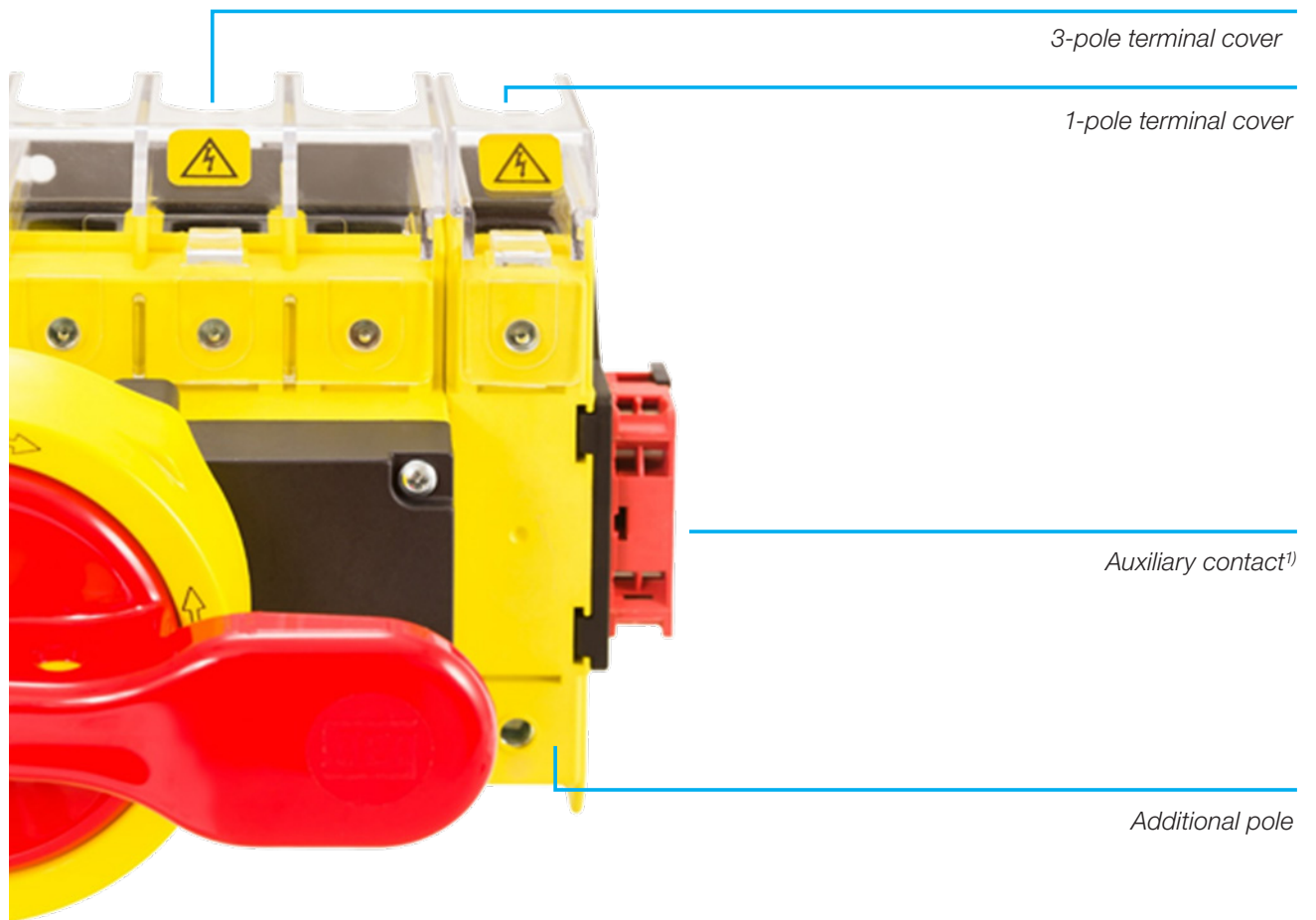
Change-Over Switch



- The reversing switch consists of two on-load switch-disconnectors.
- The interlocking prevents both power supplies from being simultaneously turned on, ensuring complete separation between the electrical circuits.
- When the handle is placed in number 1, the power supply on the left is disconnected.
- When the handle is placed in number 2, the power supply on the right is disconnected.
- The switching always occurs from power supply (1) to the zero point (0, in this position both switch-disconnectors are OFF), and then to power supply (2). The operation occurs by means of a single handle, through positions 1-0-2.
- A 4-pole version can be assembled by installing an additional pole (accessory item).



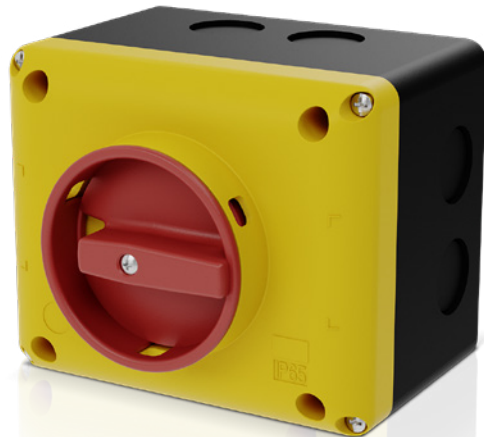
Change-Over Switch



Note: 1) The fitting of the auxiliary contact on the additional pole (as shown in the picture) is only possible on 125 and 160 A models. Other models must be fitted directly to the switch-disconnector.



Switch-Disconnectors in Thermoplastic Enclosure



IP65
DEGREE OF
PROTECTION

- Surface-mounted switch-disconnectors (base);
- Four current options: 25 A, 40 A, 63 A and 80 A;
- Two color options: yellow cover with red handle or gray cover with black handle;
- Locking in the OFF position with up to three padlocks;
- Knock-outs for cable gland: flexibility allowing cable entry/exit at the top, bottom and rear of the box;
- Robust and heat resistant enclosures;
- An additional pole can be installed (accessory item);
- An auxiliary contact can be installed (accessory item);
- IP65 protection rating.

Switch-Disconnectors

Mounting on Top

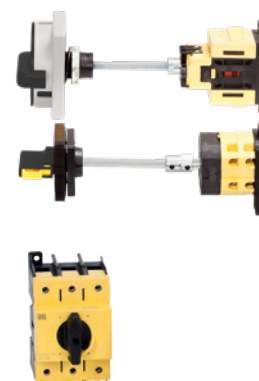
Reference code	Current (A)	Switch-disconnector mounting	Poles	Shaft (mm)	Code
MSW 12 P3 H ¹⁾	12	Top	3	-	12258388
MSW 12 P3 ²⁾				-	12258305
MSW 12 P2 H ¹⁾			2	-	12258395
MSW 12 P2 ²⁾				-	12258391
MSW 16 P3 H ¹⁾	16	Top	3	-	12258389
MSW 16 P3 ²⁾				-	12258306
MSW 16 P2 H ¹⁾			2	-	12258397
MSW 16 P2 ²⁾				-	12258392
MSW 20 P3 H ¹⁾	20	Top	3	-	12258390
MSW 20 P3 ²⁾				-	12258307
MSW 20 P2 H ¹⁾			2	-	12258438
MSW 20 P2 ²⁾				-	12258394
MSW 25 P3 N-H ¹⁾	25	Top	3	-	15481462
MSW 25 P3 N ²⁾				-	15481467
MSW 40 P3 N-H ¹⁾	40	Top	3	-	15481464
MSW 40 P3 N ²⁾				-	15481528
MSW 63 P3 H ¹⁾	63	Top	3	-	11898922
MSW 63 P3 ²⁾				-	11898884
MSW 80 P3 H ¹⁾	80	Top	3	-	11898923
MSW 80 P3 ²⁾				-	11898885
MSW 100 P3 H ¹⁾	100	Top	3	-	11898945
MSW 100 P3 ²⁾				-	11898887



Notes: 1) The standard supply includes rotary handle for the panel door in red and escutcheon in yellow.
 2) Only the mechanism of the switch-disconnector is supplied (no rotary handle).
 3) Supply of the switch-disconnector with black handle on request.

Mounting on Base

Reference code	Current (A)	Switch-disconnector mounting	Poles	Shaft (mm)	Code
MSW 12 B3 H ¹⁾	12	Base	3	85	12258443
MSW 12 B3 ²⁾				-	12258440
MSW 12 B2 H ¹⁾			2	85	12258459
MSW 12 B2 ²⁾				-	12258446
MSW 16 B3 H ¹⁾	16	Base	3	85	12258444
MSW 16 B3 ²⁾				-	12258441
MSW 16 B2 H ¹⁾			2	85	12258460
MSW 16 B2 ²⁾				-	12258447
MSW 20 B3 H ¹⁾	20	Base	3	85	12258445
MSW 20 B3 ²⁾				-	12258442
MSW 20 B2 H ¹⁾			2	85	12258461
MSW 20 B2 ²⁾				-	12258458
MSW 25 B3 H ¹⁾	25	Base	3	85	11898938
MSW 25 B3 ²⁾				-	11898940
MSW 40 B3 H ¹⁾	40	Base	3	85	11898925
MSW 40 B3 ²⁾				-	11898946
MSW 63 B3 H ¹⁾	63	Base	3	85	11898942
MSW 63 B3 ²⁾				-	11898924
MSW 80 B3 H ¹⁾	80	Base	3	85	11898941
MSW 80 B3 ²⁾				-	11898926
MSW 125 B3 H ¹⁾	125	Base	3	300	11898943
MSW 125 B3 ²⁾				-	11898939
MSW 160 B3 H ¹⁾	160	Base	3	300	11898944
MSW 160 B3 ²⁾				-	11898927



Notes: 1) Red rotary handle for panel door and yellow escutcheon included.
 2) Only the mechanism of the switch-disconnector is supplied (no rotary handle and no shaft).
 3) Supply of the switch-disconnector with black handle on request.

Switch-Disconnectors

Mounting on Base - Direct Command Switch

Reference code	Current (A)	Switch-disconnector mounting	Poles	Shaft (mm)	Code
MSWD 12 B3 HB	12	Base	3	-	12736260
MSWD 16 B3 HB	16			-	12736261
MSWD 20 B3 HB	20			-	12736262
MSWD 25 B3 HB	25			-	12736263
MSWD 40 B3 HB	40			-	12736264
MSWD 63 B3 HB	63			-	12736265
MSWD 80 B3 HB	80			-	12736266



Note: black rotary handle.

Change-Over Switch

Reference code	Current (A)	Switch-disconnector mounting	Poles	Handle	Code
MSWR 25 B3 H	25	Base	3	Red/yellow	12686300
MSWR 40 B3 H	40			Red/yellow	12686301
MSWR 63 B3 H	63			Black	12686302
MSWR 80 B3 H	80			Black	12686303
MSWR 125 B3 H	125			Red/yellow	12686305
MSWR 160 B3 H	160			Red/yellow	12484706



Switch-Disconnectors in IP65 Enclosure

Reference code	Current (A)	Switch-disconnector mounting	Poles	Front part color	Code
MSWB 25 B3 H	25	Base	3	Yellow cover red handle	14891129
MSWB 40 B3 H	40				14891131
MSWB 63 B3 H	63				14891132
MSWB 80 B3 H	80				14891133
MSWB 25 B3 HB	25			Gray cover black handle	14906720
MSWB 40 B3 HB	40				14906721
MSWB 63 B3 HB	63				14906722
MSWB 80 B3 HB	80				14906723



Note: black enclosure base.



Accessories

Rotary Operating Handle

- Prevents the panel door from being opened while the switch-disconnector is in the ON position (valid for base-mounted switch-disconnectors);
- Total locking (switch-disconnector + panel door) in the OFF position with up to three padlocks;
- IP65 protection rating;
- Base-mounted switch-disconnector models come with standard shaft.

Reference code	Switch-disconnector	Color	Switch-disconnector mounting	Shaft (mm)	Code	
MSW H 20-P-R	MSW 12 / MSW 16 / MSW 20	Red and yellow	Top	-	12258462	
MSW H 85-20-B-R			Base	85 (□5)	12258463	
MSW H 40-P-N-R	MSW 25 / MSW 40		Top	-	15481531	
MSW H 85-40-B-R			Base	85 (□5)	11899512	
MSW H 85-80-B-R	MSW 63 / MSW 80		Base	85 (□6)	11966588	
MSW H 100-P-R			Top	-	11899509	
MSW H 300-160-B-R	MSW 125 / MSW 160		Base	300 (□6)	11899515	
MSW H 20-P-B	MSW 12 / MSW 16 / MSW 20		Black and gray	Top	-	12746820
MSW H 85-20-B-B				Base	85 (□5)	12746821
MSW H 40-P-N-B	MSW 25 / MSW 40			Top	-	15481530
MSW H 85-40-B-B		Base		85 (□5)	12746823	
MSW H 85-80-B-B	MSW 63 / MSW 80	Base		85 (□6)	12746824	
MSW H 100-P-B	MSW 63 / MSW 80 / MSW 100	Top		-	12746825	
MSW H 300-160-B-B	MSW 125 / MSW 160	Base		300 (□6)	12746826	



Note: the rotary operating handle accessory item can be used in the MSW line (base and top). Not compatible with MSWD, MSWR and MSWB lines.

Shaft for Rotary Operating Handle

Reference code	Switch-disconnector	Dimensions (mm)	Code
MSW HS 185-40	MSW 12 / MSW 16 / MSW 20 / MSW 25 / MSW 40	185 (□5)	12030688
MSW HS 300-40		300 (□5)	12030689
MSW HS 185-160	MSW 63 / MSW 80 / MSW 125 / MSW 160	185 (□6)	12030690
MSW HS 300-160		300 (□6)	12030691



Note: the rotary operating handle shaft accessory item can be used in the MSW line (base and top). Not compatible with MSWD, MSWR and MSWB lines.

Additional Pole¹⁾

- Models for base-mounted switches: application in MSW (base), MSWD, MSWR and MSWB;
- Models for top-mounted switches (door): application in MSW (top).

Reference code	Switch-disconnector	Switch-disconnector mounting	Code
MSW AP 25-B-1NA	25	Base	12727284
MSW AP 40-B-1NA	40		12727285
MSW AP 63-B-1NA	63		12727298
MSW AP 80-B-1NA	80		12727299
MSW AP 160-B-1NA ²⁾	125/160		13052847
MSW AP 25-P-1NA	25	Top	12727286
MSW AP 40-P-1NA	40		12727287
MSW AP 63-P-1NA	63		12727300
MSW AP 80-P-1NA	80		12727301



Notes: 1) The same item can be installed on either side of the switch-disconnector.
2) Auxiliary contact block can be assembled.

Accessories

Auxiliary Contact

- Direct mounting on the side of the switch-disconnector;
- It is possible to install up to two auxiliary contacts per switch-disconnector;
- Models for base-mounted switches: application in MSW (base), MSWD, MSWR and MSWB;
- Models for top-mounted switches (door): application in MSW (top).

Reference code	Switch-disconnector	Switch-disconnector mounting	Conductor cross-section	Code
MSW AC 40-B-1NF	25 / 40	Base	1 mm ² - 2.5 mm ² 18 AWG - 12 AWG	11899456
MSW AC 40-B-1NA				11899457
MSW AC 40-P-1NF		Upper part		11899468
MSW AC 40-P-1NA				11899469
MSW AC 80-B-1NF	63 / 80	Base		11899470
MSW AC 80-B-1NA				11899471
MSW AC 80-P-1NF		Upper part		11899472
MSW AC 80-P-1NA				11899476
MSW AC 160-B-1NF	125 / 160	Base	13233893	
MSW AC 160-B-1NA			13233894	



Note: 1) Fastening the auxiliary contact to the additional pole accessory item is only possible in 125 A and 160 A models. Other models must be fastened directly to the switch-disconnector.

Terminal Cover

- Provides protection against inadvertent touch on the switch-disconnector terminals;
- Models for base-mounted switches: application in MSW (base), MSWD and MSWR;
- Models for top-mounted switches (door): application in MSW (top).

Reference code	Switch-disconnector	Switch-disconnector mounting	Poles	Code
MSW TS 40-B-3	25 / 40	Base	3	11899501
MSW TS 40-P-3		Top	3	11899502
MSW TS 40-B/P-1		Base / Top	1	13164767
MSW TS 80-B/P-3	63 / 80	Base / Top	3	11899504
MSW TS 80-B/P-1		Base / Top	1	13164788
MSW TS 100-P-3	100	Top	3	11899505
MSW TS 160-B-3	125 / 160	Base	3	13164789
MSW TS 160-B/P-1		Base	1	13164790



Note: to cover the terminals on the 100 A model, it is necessary to use 2 pieces of item MSW TS 100-P-3.

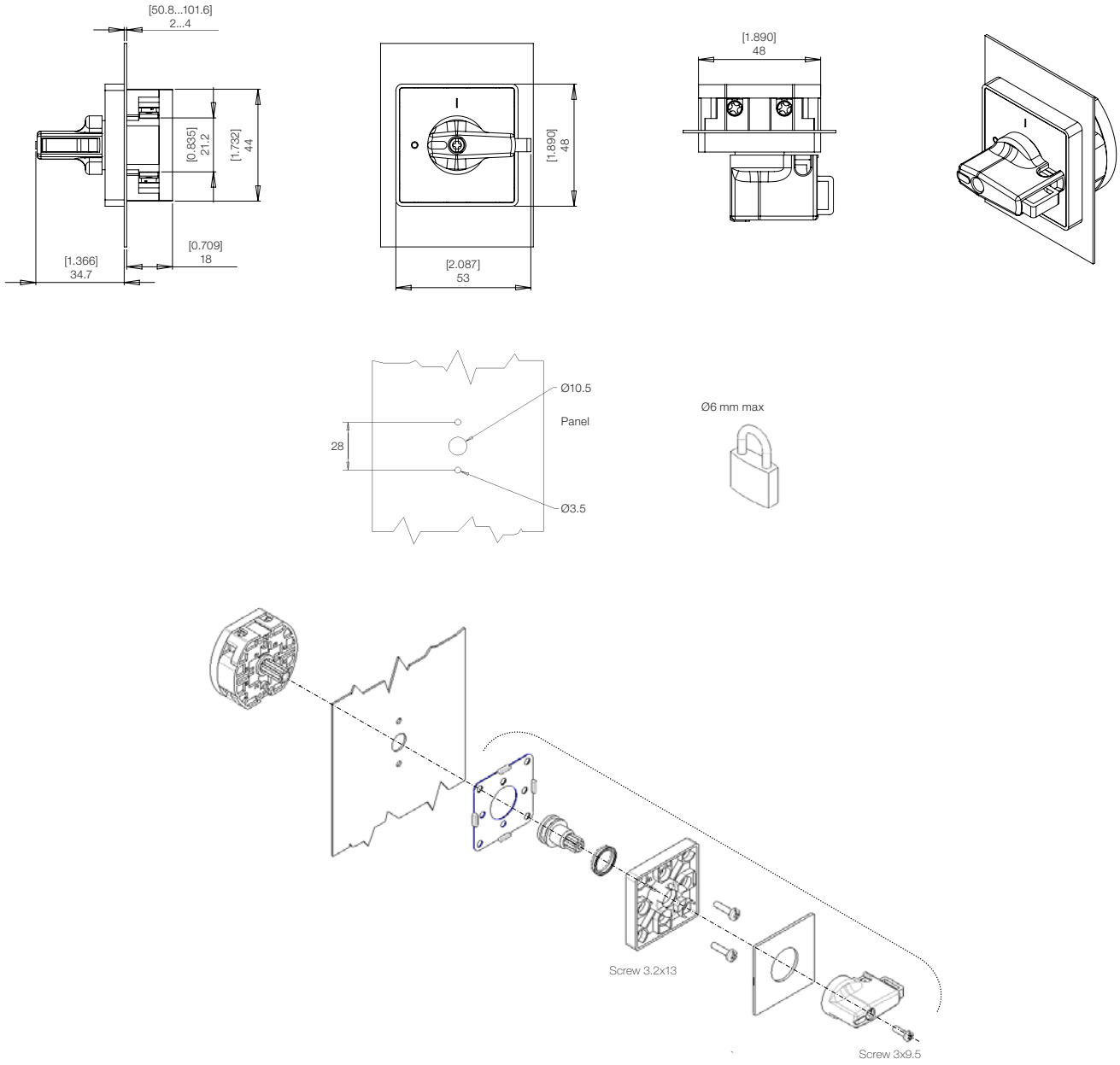
Mounting Tool

Reference code	Switch-disconnector	Code
MSW FK PT	MSW 25/MSW 40/MSW 63/MSW 80/MSW 100	12187331



Dimensions

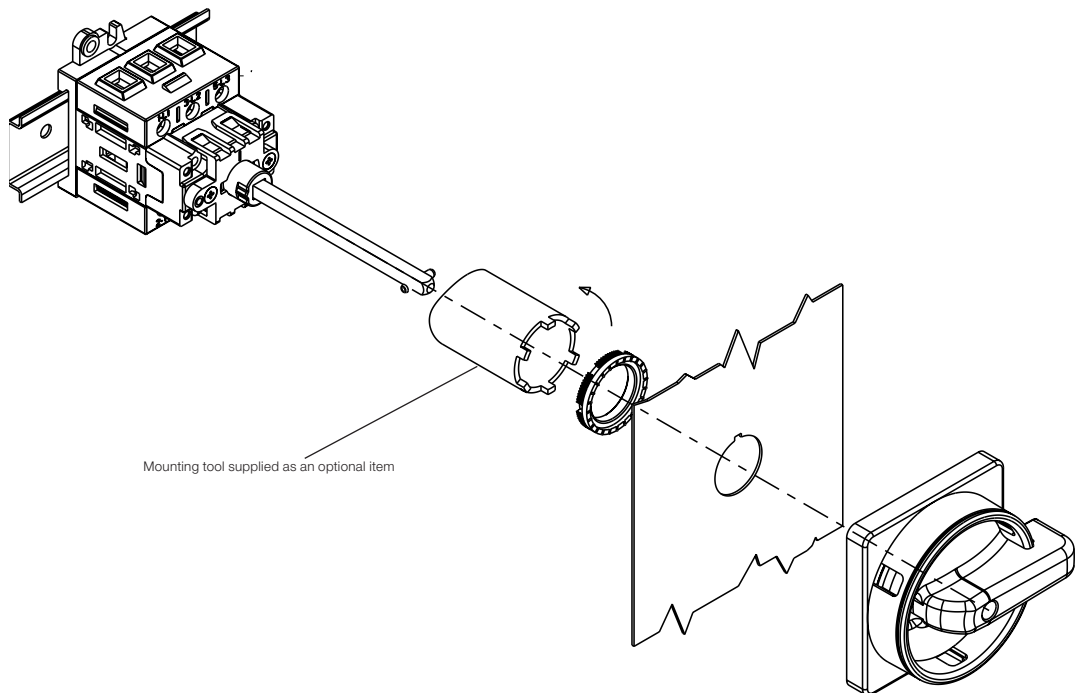
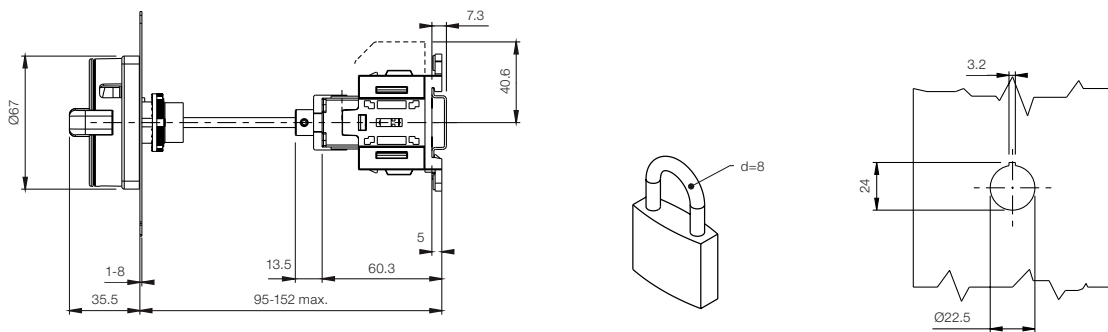
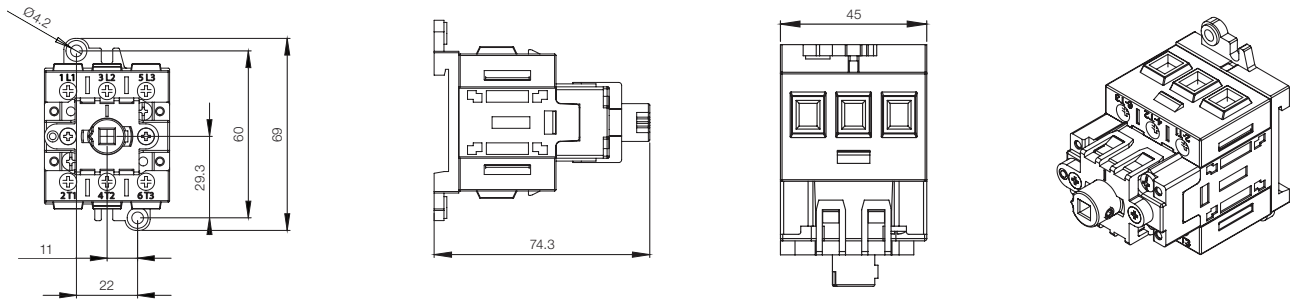
MSW 12 P2 / MSW 16 P2 / MSW 20 P2



Note: dimensions in mm.

Dimensions

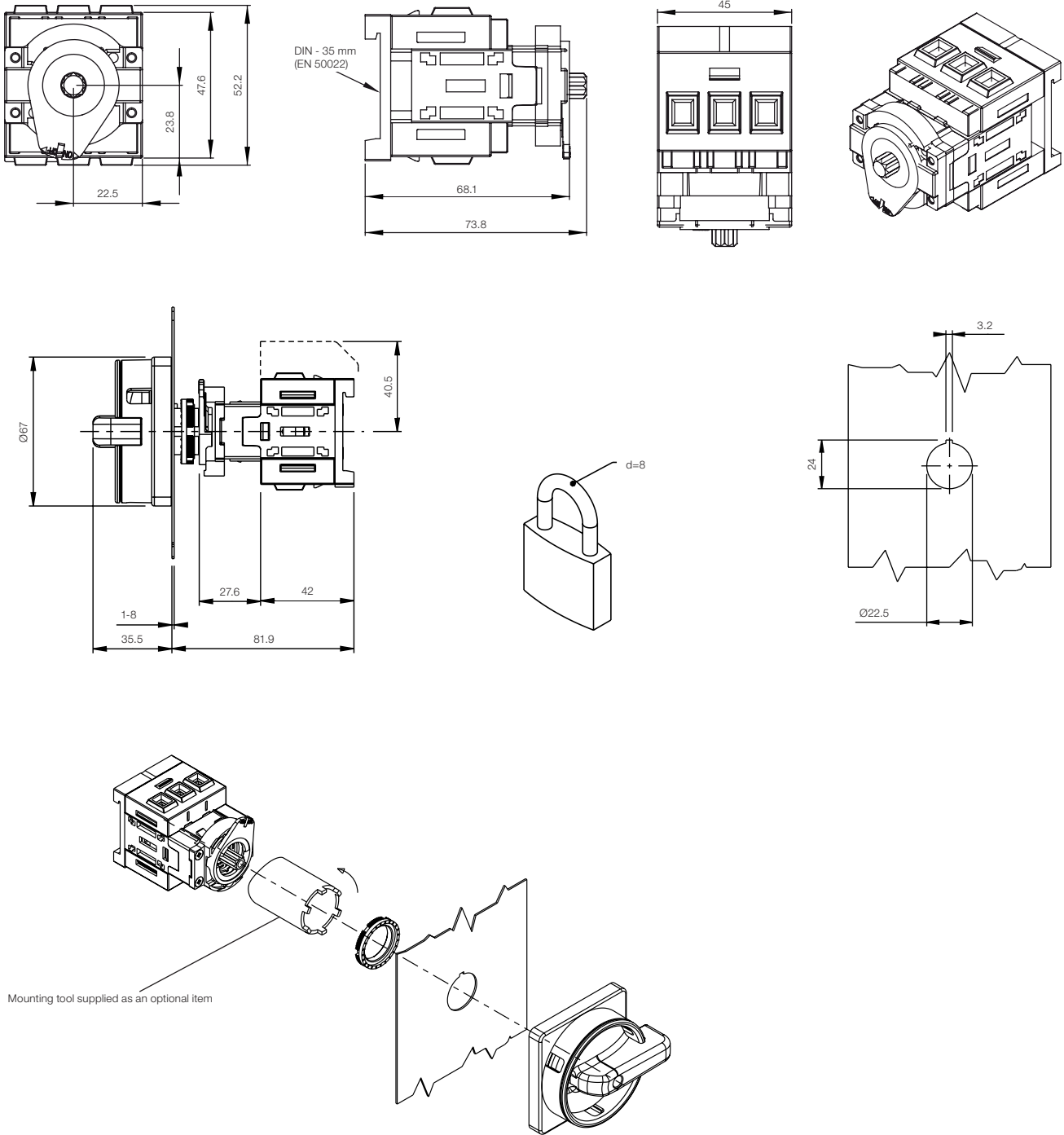
MSW 25 B3 / MSW 40 B3



Note: dimensions in mm.

Dimensions

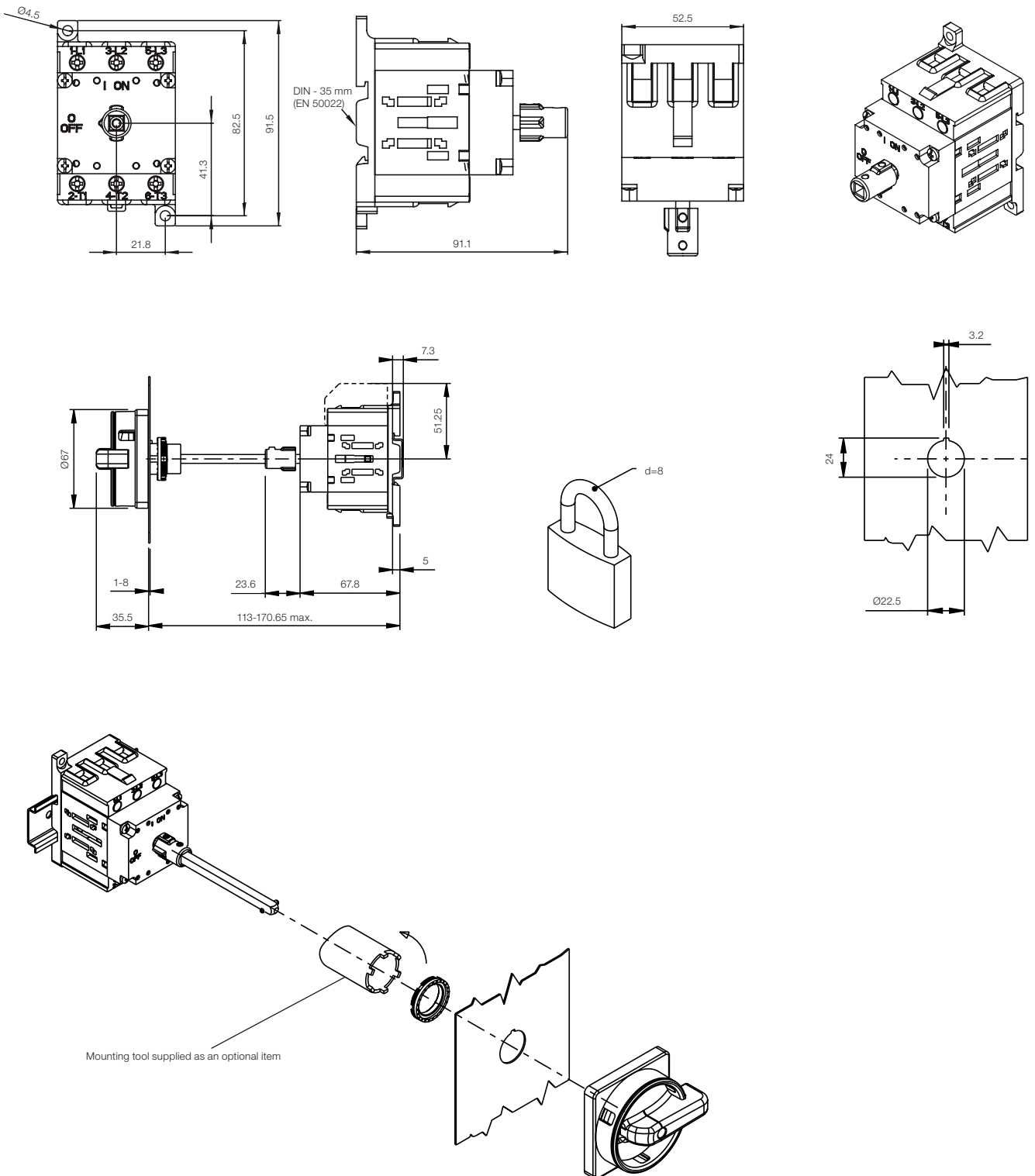
MSW 25 P3 / MSW 40 P3



Note: dimensions in mm.

Dimensions

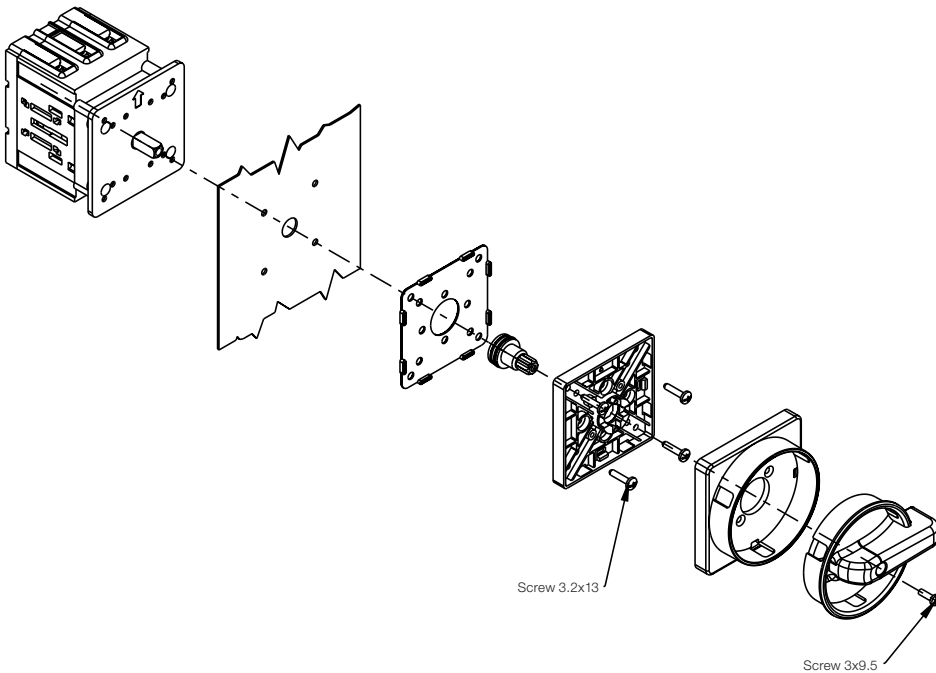
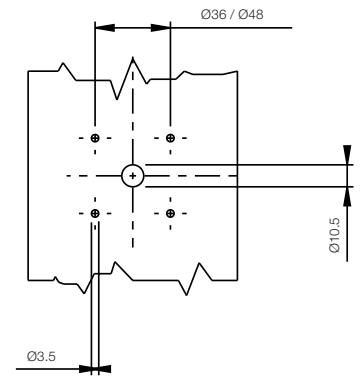
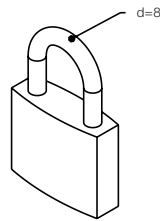
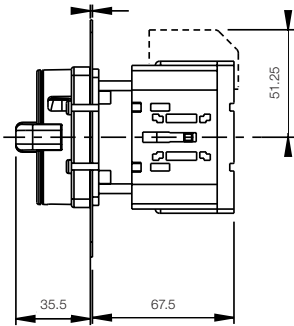
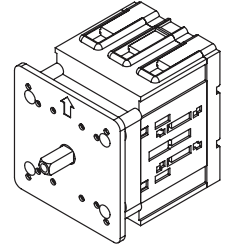
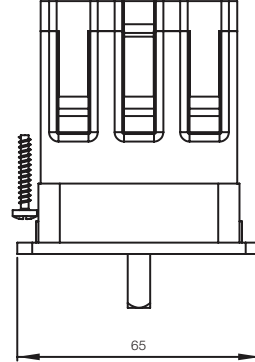
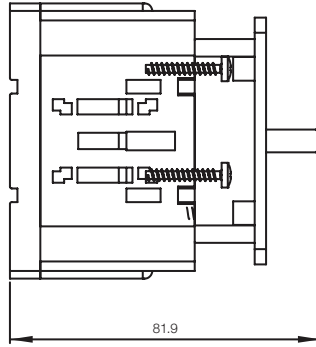
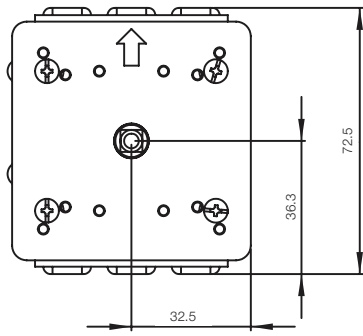
MSW 63 B3 / MSW 80 B3



Note: dimensions in mm.

Dimensions

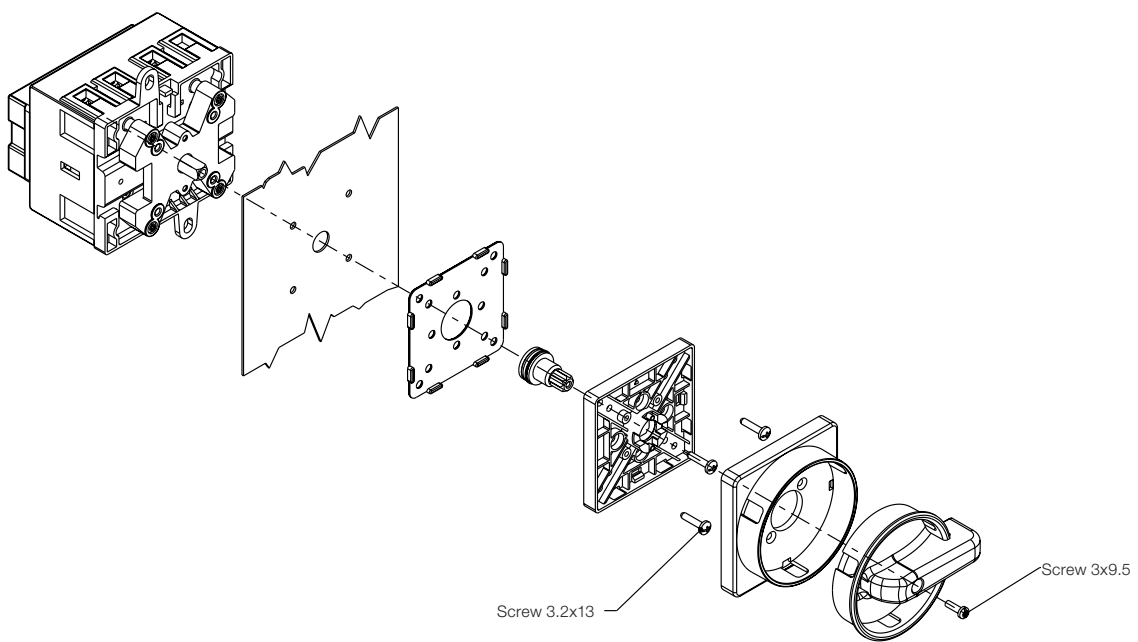
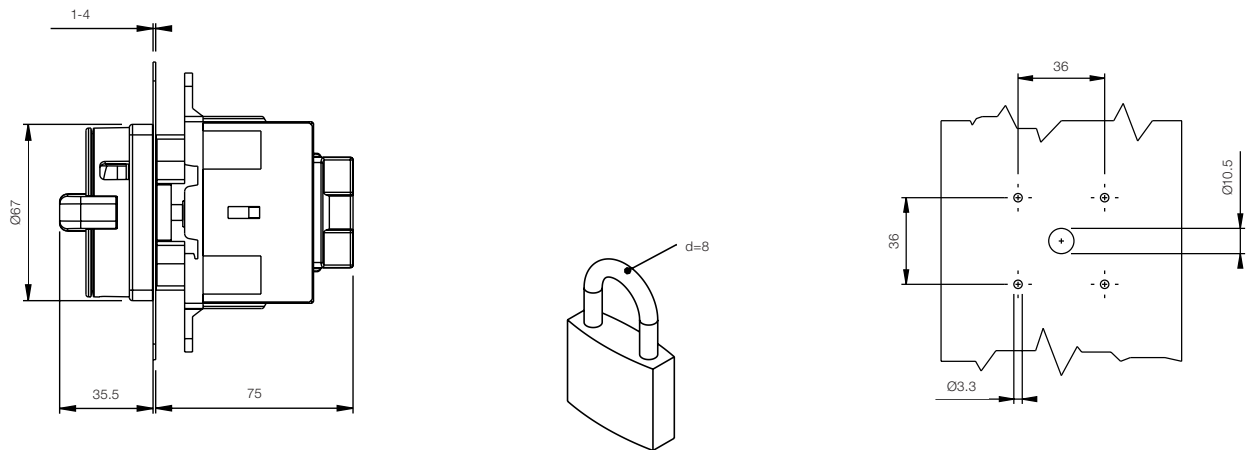
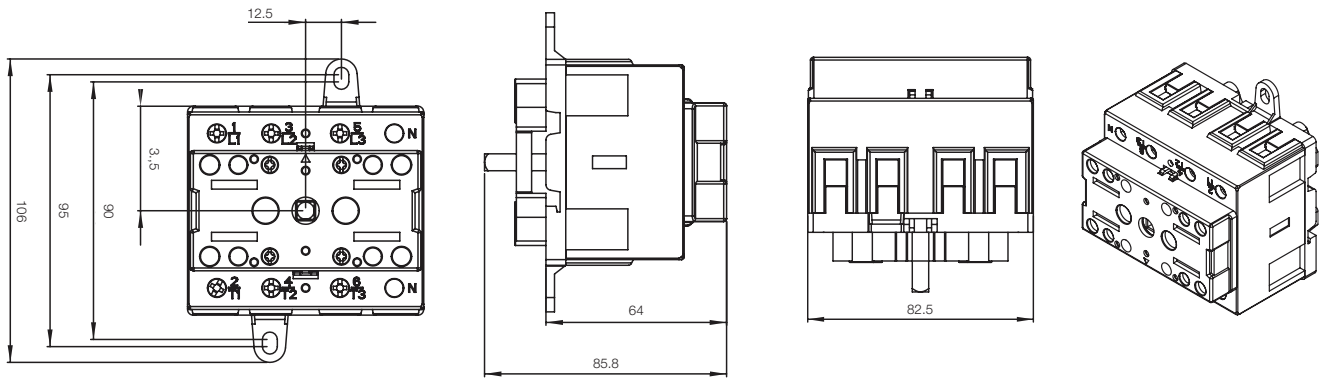
MSW 63 P3 / MSW 80 P3



Note: dimensions in mm.

Dimensions

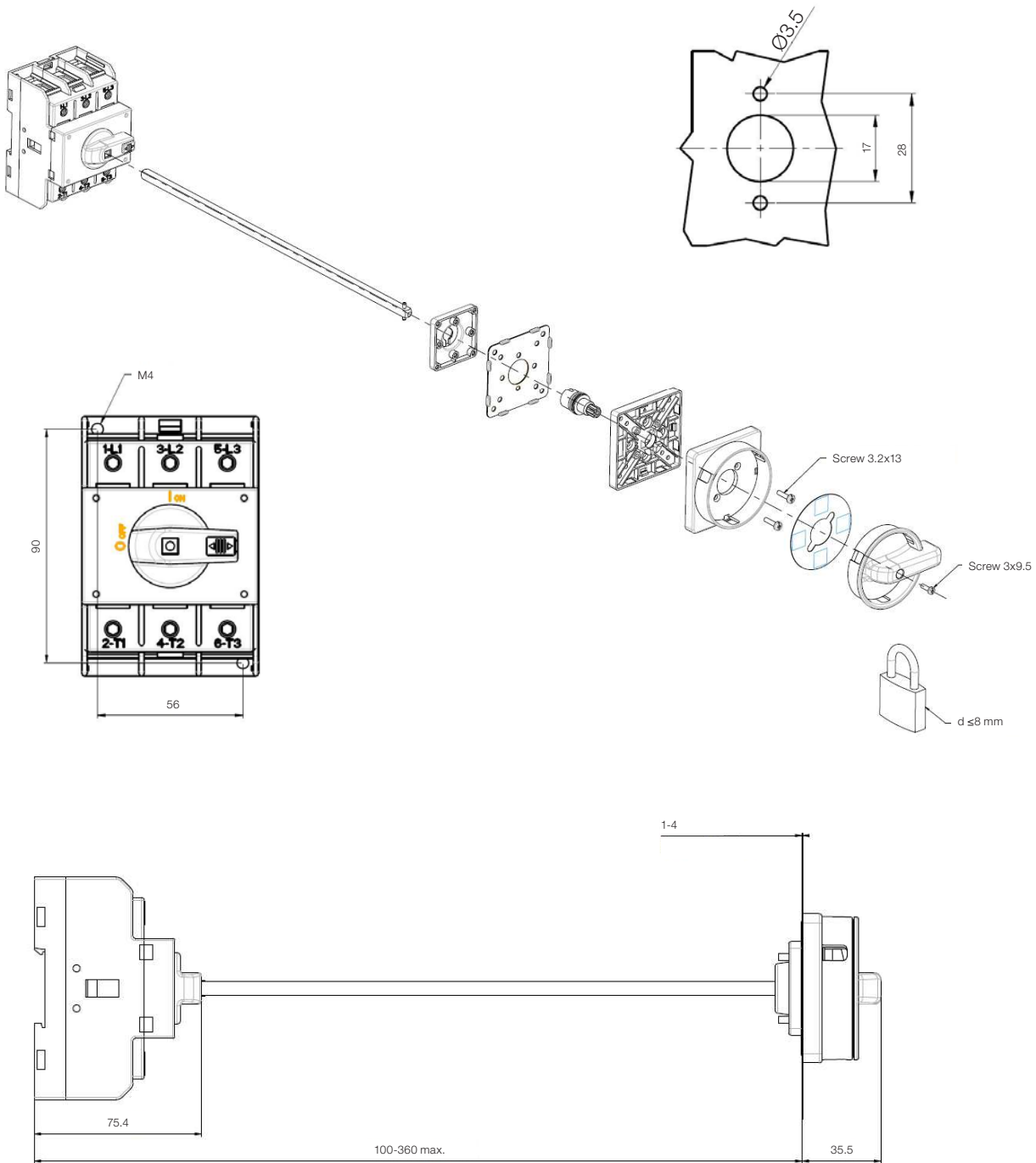
MSW 100 P3



Note: dimensions in mm.

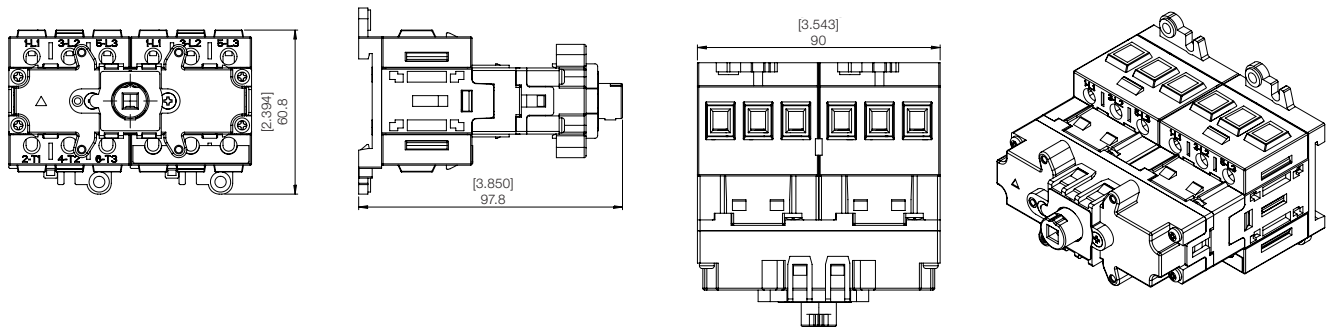
Dimensions

MSW 125 B3 / MSW 160 B3

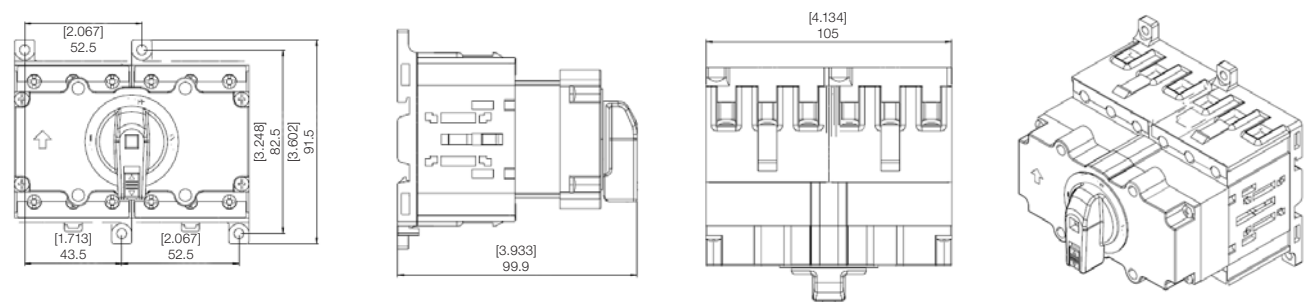


Dimensions

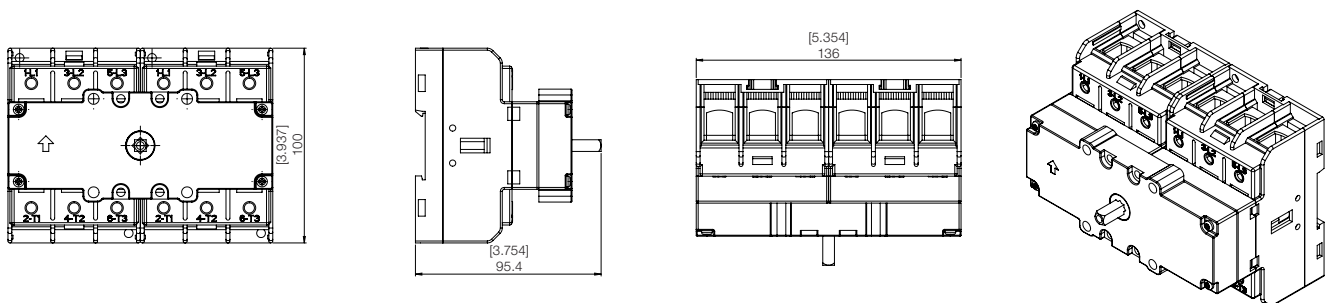
MSWR 25 B3 / MSWR 40 B3



MSWR 63 B3 / MSWR 80 B3



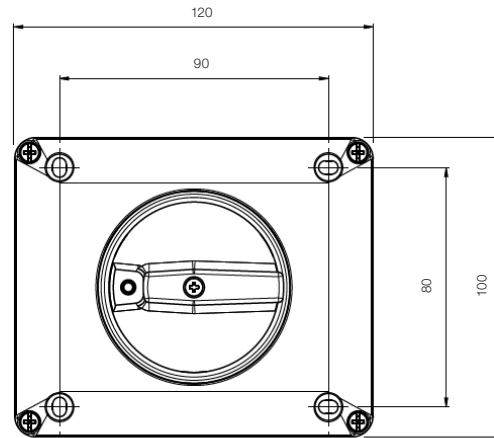
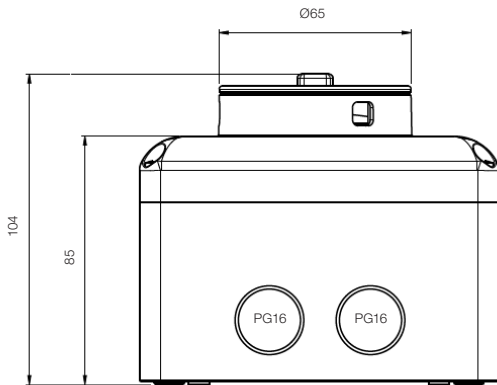
MSWR 125 B3 / MSWR 160 B3



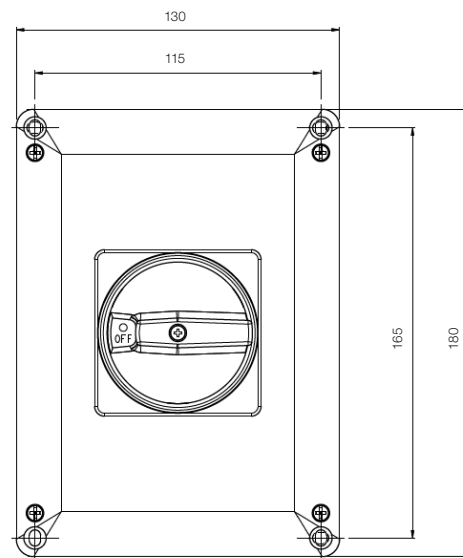
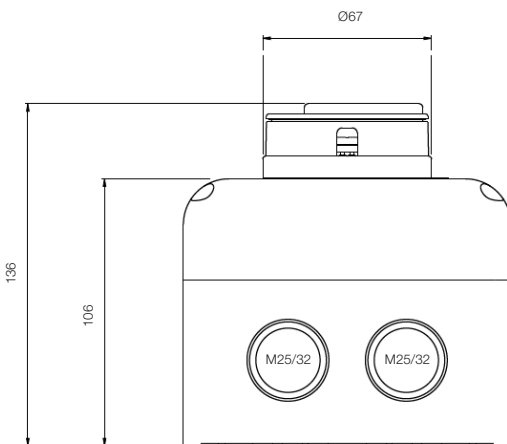
Note: dimensions in mm.

Dimensions

MSWB 25 B3 / MSWB 40 B3



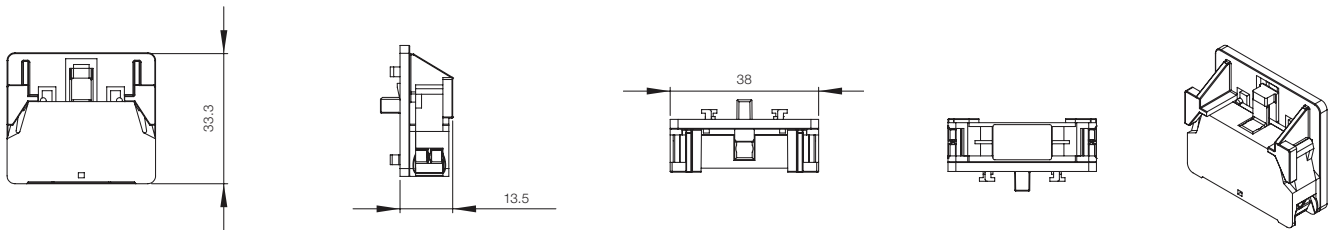
MSWB 63 B3 / MSWB 80 B3



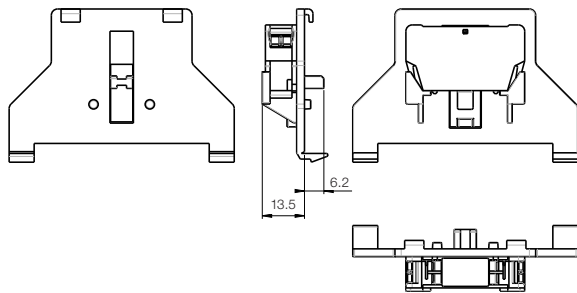
Note: dimensions in mm.

Dimensions

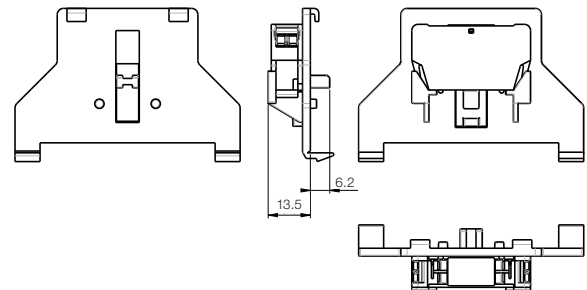
MSWAC-40...80B-1NC / MSWAC-40...80B-1NO / MSWAC-40...80P-1NC / MSWAC-40...80P-1NO



MSWAC-160B1NC



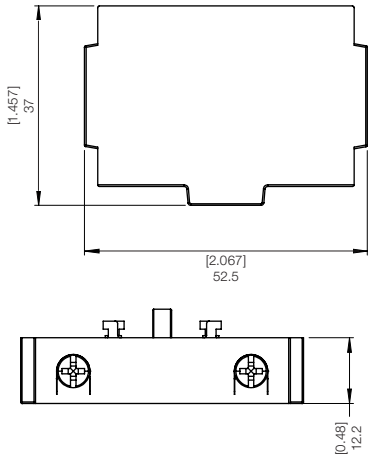
MSWAC-160B1NO



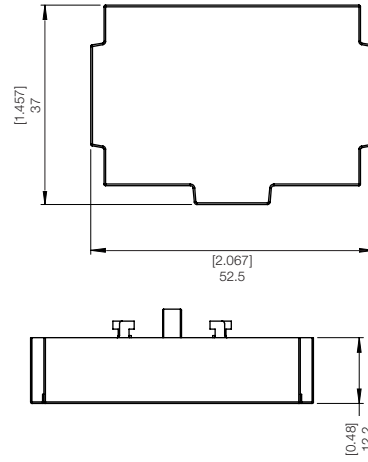
Note: dimensions in mm.

Dimensions

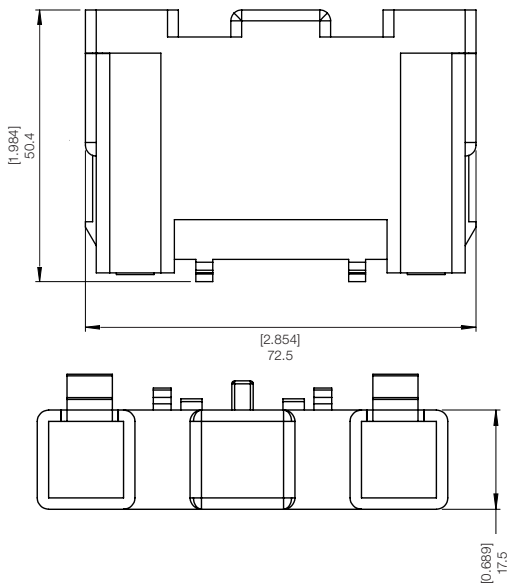
MSW AP 25-B-1NA / MSW AP 40-B-1NA



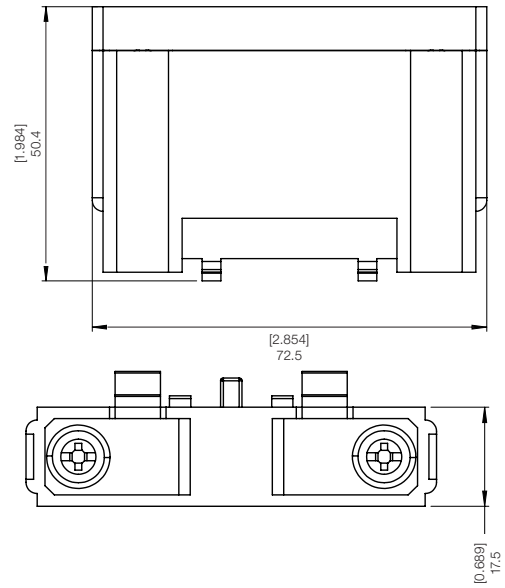
MSW AP 25-P-1NA / MSW AP 40-P-1NA



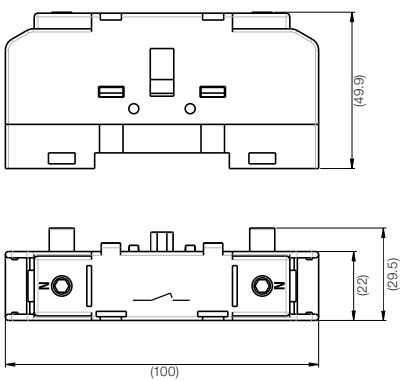
MSW AP 63-B-1NA / MSW AP 80-B-1NA



MSW AP 63-P-1NA / MSW AP 80-P-1NA

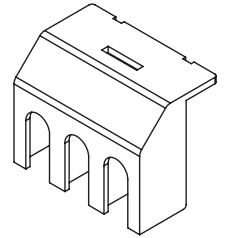
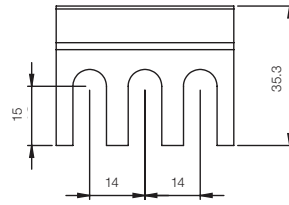
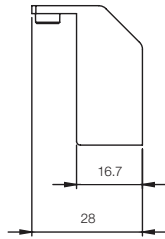
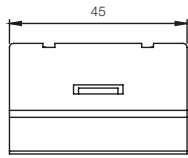


MSW AP 160-B-1NA

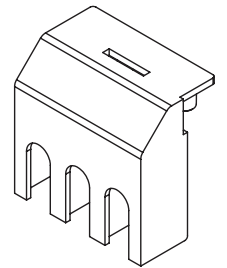
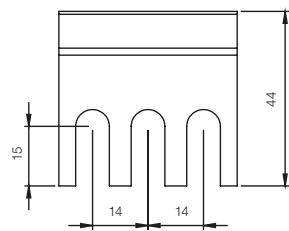
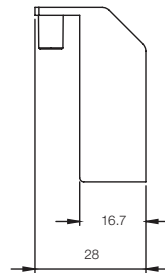
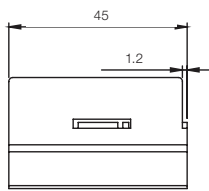


Dimensions

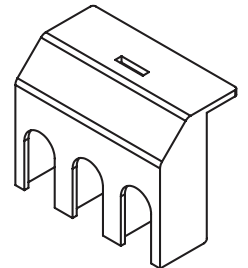
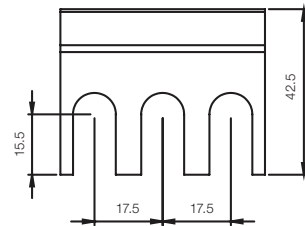
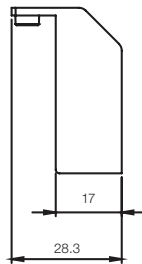
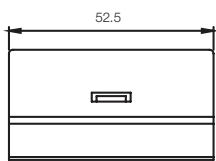
MSW TS 40-B



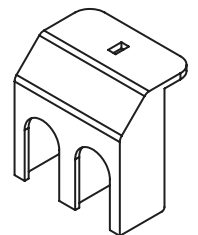
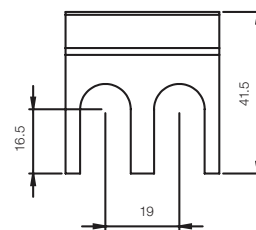
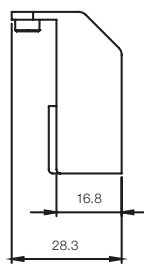
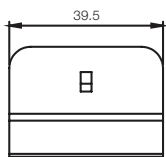
MSW TS 40-P



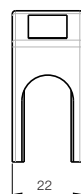
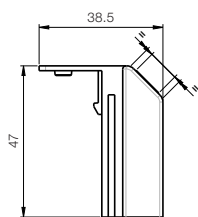
MSW TS 80-B/P



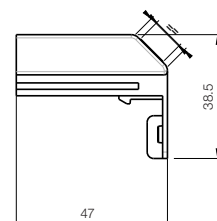
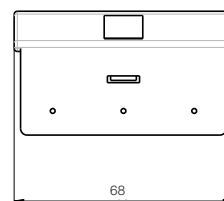
MSW TS 100-P



MSW TS 160-B/P-1



MSW TS 160-B-3

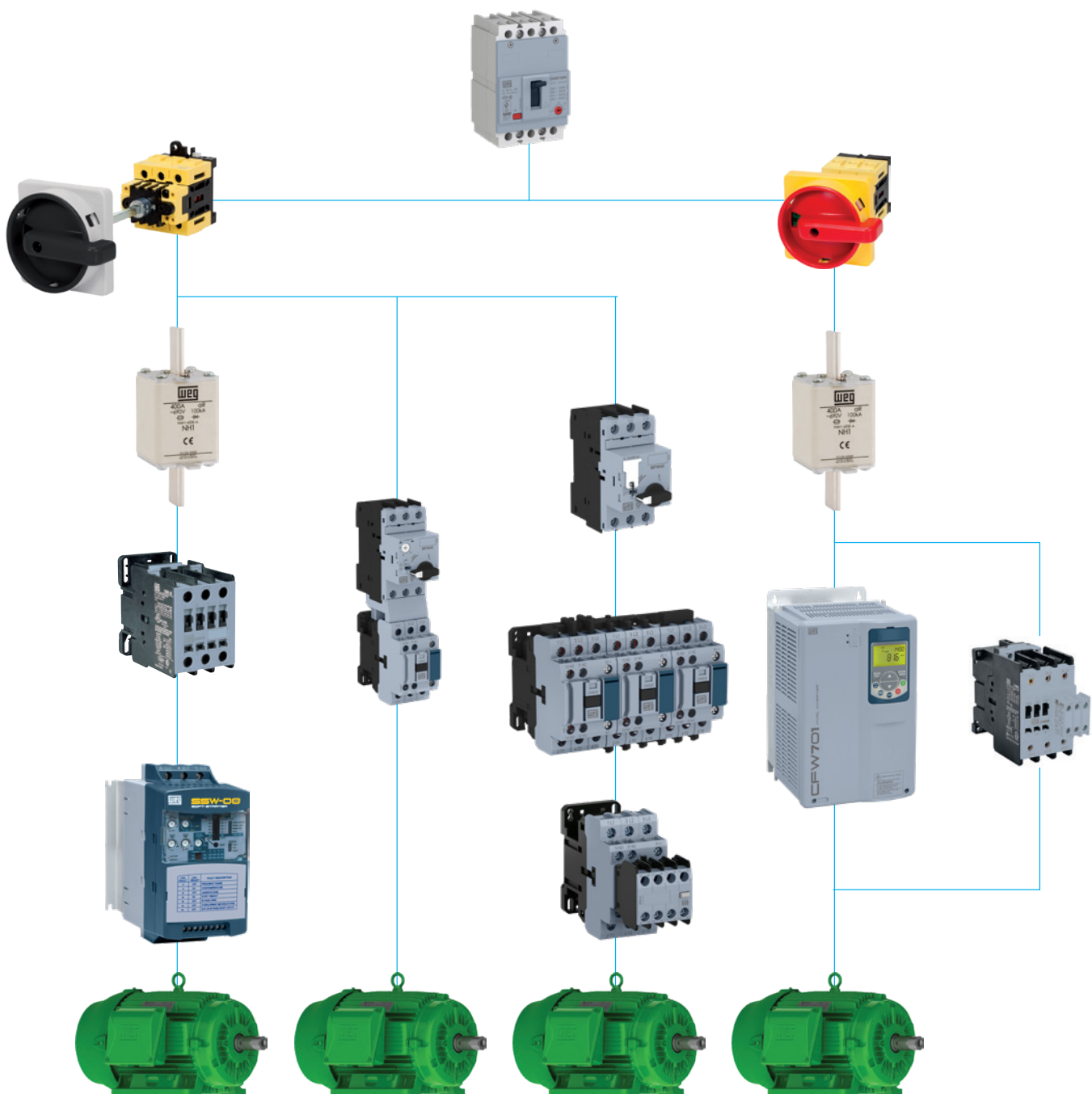


Note: dimensions in mm.

On-Load Operation

The MSW switch-disconnectors were developed according to IEC 60947-3 and enable the manual drive of motors, machines and other equipment under load. The design of the MSW switch-disconnectors provides complete physical insulation between the circuit and the power supply when in the OFF position. In this position, it is possible to use three padlocks in order to prevent inadvertent actuation, increasing the safety of operators and maintenance personnel.

The switch-disconnectors can be used as disconnecting devices, according to the requirements of IEC 60204-1, and as general emergency switches.





Global presence is essential, as much as understanding your needs.

Global Presence

With more than 30.000 employees worldwide, WEG is one of the largest electric motors, electronic equipments and systems manufacturers. We are constantly expanding our portfolio of products and services with expertise and market knowledge. We create integrated and customized solutions ranging from innovative products to complete after-sales service.

WEG's know-how guarantees our **MSW Switch-Disconnectors** is the right choice for your application and business, assuring safety, efficiency and reliability.



Availability is to have a global support network



Partnership is to create solutions that suit your needs



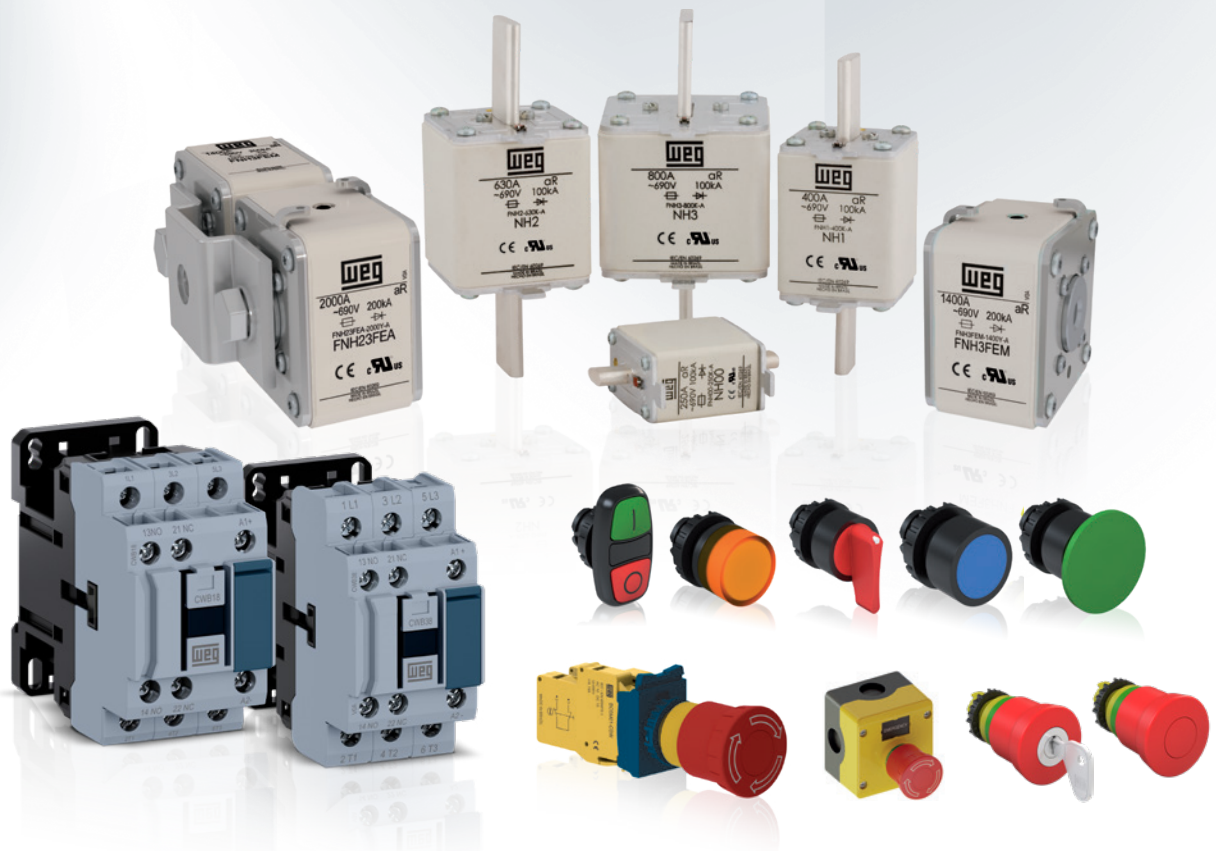
Competitive edge is to unite technology and innovation



Know More



High performance and reliable products to improve your production process.



Excellence is to provide a whole solution in industrial automation that improves our customers productivity.

Visit: www.weg.net

 youtube.com/wegvideos

For WEG's worldwide
operations visit our website



www.weg.net



AUTOMATION

 +55 47 3276.4000

 automacao@weg.net

 Jaraguá do Sul - SC - Brazil

Cód: 50038864 | Rev: 07 | Data (m/a): 10/2020.

The values shown are subject to change without prior notice.
The information contained is reference values.