



Vocal X

2.4G Dual Channel Wireless Microphone

User Manual

Introduction :

The Vocal X is a ultra-compact 2-personan digital wireless microphone system. It offers entire solution for interviews, dialogue, live streaming, speech with two people simultaneously, and work with Mirrorless & DSLR camera, smartphone, computer, mixer and much more.

The System boasts a range of powerful features , including 3.5mm headphone output, switchable Mono & Stereo, switchable Mic & Line input and OLED display on transmitter & receiver.

The clip-on transmitter is compact & lightweight to directly clip on clothing and shirts, with built-in omnidirectional microphone and a external AC-VM1/VM1W lavalier microphone for multiple recording scenarios.

The CKMOVA is able to provide mature and stable 2.4GHz technical solutions to ensure stable signal transmission and deliver high-quality audio, it makes Vocal X become the clients priority choice.

Available Combo:

Vocal X V1 (TX+RX): One Transmitter + 3.5mm Receiver

Vocal X V2 (TX+TX+RX): Two Transmitters + 3.5mm Receiver

Vocal X V1W(TXW+RXW): One Transmitter + 3.5mm Receiver

Vocal X V2W(TXW+TXW+RXW): Two Transmitters + 3.5mm Receiver

Noted: : If using an Android phone, please set the "OTG Connection" to "ON." The OTG connection menu is usually in the "Additional Settings" in your phone setting menu

Highlights:

Ultra-compact broadcast quality 2.4G wireless microphone system
Dual channel receiver for camera, mobile devices, computer, mixers
and etc

OLED display on both transmitter and receiver

100M stable working distance(without obstacles)

5 ms Low latency

Mono & Stereo output switchable

3.5mm headphone real-time monitor

Mic & Line Input switchable



Internal & External Mic selectable

10 hours battery life with Type-C charging port

Quick Start Guide :

1. Long press for 3 seconds to turn on Transmitter and Receiver
Factory default is paired.

2. If not paired, follow the below pairing instructions

Long press Pair button on Transmitter for 3 seconds, then  icon will be flashed that mean entering Pairing mode, then long press Pair button on Receiver for 3 seconds with the same entering Pairing. If paired the transmitter and receiver will exit from Pairing model, the  icon will be fixed on screen. Meanwhile the receiver display will show transmitter battery indicator, mic gain level

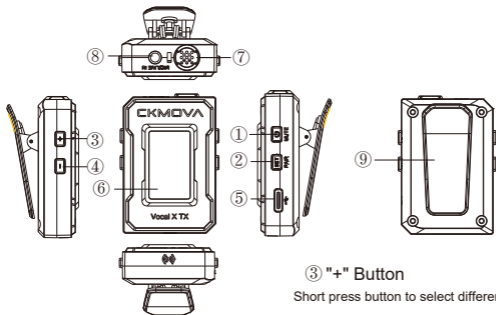
3. Connect the Receiver to camera, mixer with supplied TRS to TRS output cable, connect smartphone supplied TRS to TRRS output cable, or other devices with the correct output cable

4. The receiver should now be connected to the transmitters. To check, you can connect headphones to headphone monitor on receiver and listen for audio

For a more detailed description of component controls, functions and setup, please continue reading this manual.

Product Structure:

1. Vocal X TX/TXW: Backpack Transmitter



① Power & Mute Button

Power On & Off : Long press button for 3 seconds
Mute On & Off: Short press button

② Set & Pair Button

Set Function: Short press button to enter the function control interface. Then short press button to confirm.

Pair Function: Long press button to enter the pairing model, if paired then automatically exit. When already paired, long press button transmitter disconnect with receiver, long press again then connect and exit.

③ "+" Button

Short press button to select different function

④ "-" Button

Short press button to select different function

⑤ Type-C Charging Port

⑥ OLED Display

Display details refer to "OLED Display Readouts"

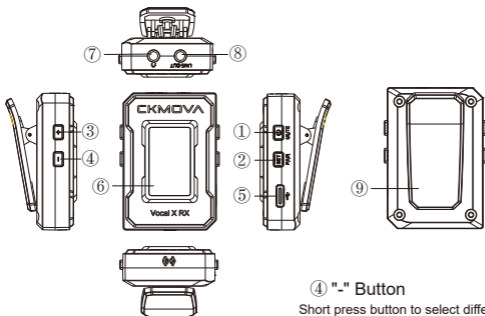
⑦ Built-in Microphone

⑧ Mic & Line Input

3.5mm Microphone input and Line input

⑨ Belt Clip

2.Vocal X RX/RXW: Clip-On Receiver



① Power & Mute Button

Power On & Off : Long press button for 3 seconds
Mute On & Off: Short press button

② Set & Pair Button

Set Function: Short press button to enter the function control interface. Then short press button to confirm.

Pair Function: Long press button to enter the pairing model, if paired then automatically exit. When already paired, long press button receiver disconnect with both transmitters, long press again then connect and exit.

③ "+" Button

Short press button to select different function

④ "-" Button

Short press button to select different function

⑤ Type-C Charging Port

⑥ OLED Display

Display details refer to "OLED Display Readouts"

⑦ 3.5mm Headphone Output

Connect a headphone to monitor the audio output

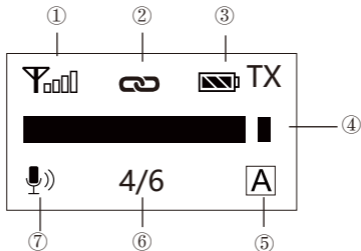
⑧ 3.5mm Line Output

Output to DSLR camera, camera recorder, smartphone, mixer, recorder and amplifier

⑨ Belt Clip

OLED Display Readouts

OLED Display Introduction(TX/TXW Transmitter)



Home Screen

If no any operation within 5 seconds, the display automatically return to the home screen

① RF Level Indicator

② Pairing Indicator

 : Paired

If without this icon will be disconnected

③ Battery Level Indicator

Please recharge device when the indicator start flashing for low power reminding

④ Audio Input Dynamic Bar

⑤ Group Channel

Default is A Channel

⑥ Mic Gain

⑦ Input Mode

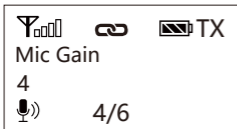
 : Mic Input

 : Line Input

 : Mic Input Mute On

 : Line Input Mute On

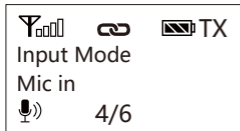
Mic Gain Screen



Audio Input level from 0 to 6.

Default is 4

Mic Gain Screen



Mic input and Line input can be switchable based on you need.
Default is Mic Input

Backlight Mode Screen



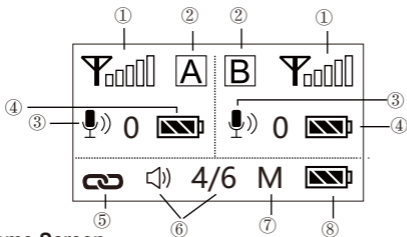
Backlight with 3 level: "ON" for long light; "30S" for 30s light; "60S" for 60s light
Default is ON

Restore Screen



Yes: Restore factory default
NO: Exit without any operation

OLED Display Introduction(RX/RXW Receiver)



Home Screen

If no any operation within 5 seconds, the display automatically return to the home screen

① RF Level Indicator for Transmitter

② Group Icon

A : A channel is connected

B : B channel is connected

A : A channel is disconnected

B : B channel is disconnected

③ Transmitter's Mic Gain

 : Mute on

④ Transmitter's Battery Level Indicator


Please recharge device when the indicator start flashing for low power reminding

⑤ Receiver's Pairing Indicator

 : Paired

If without this icon will be disconnected

⑥ Receiver's Volume Level

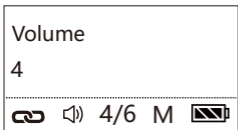
 : Mute On

⑦ Output Mode

⑧ Receiver's Battery Level Indicator

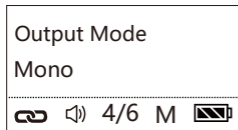
Please recharge device when the indicator start flashing for low power reminding

Volume Screen



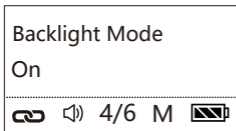
Receiver output volume level from 0 to 6.
Default is 4

Volume Screen



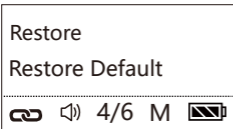
Mono and Stereo output can be switchable based on you need.
Default is Mono

Backlight Mode Screen



Backlight with 3 level: "ON" for long light; "30S" for 30s light; "60S" for 60s light
Default is ON

Restore Screen



Yes: Restore factory default
NO: Exit without any operation

Specifications:

Transmission Type:	Digital 2.4GHz
Modulation:	GFSK
Frequency Response:	20Hz-20KHz
Operation Range:	100m (328')
Latency:	< 5 ms
Max Systems per Setup:	9
Sample Rate/Resolution:	32kHz/24-Bit
Audio Input:	3.5mm TRRS Female Mic & Line Input or Internal Microphone
RF Output Power:	10mW
Mic Polar Pattern:	Omnidirectional
Sensitivity:	-33±3dB (0dB=1V/Pa,at 1KHz)
SNR:	80dB SPL
Power Requirements:	Built-in Li-ion Battery or Type-C DC 5V
Approx Battery Life:	10 hours
Internal Battery Capacity:	600mAh
Battery Charging Time:	2.5 hours
Operating Temperature:	0°C to 50°C
Dimensions:	56*38*17mm(TX/RX)
Weight:	30g (TX/RX)

Packing List:

Vocal X V1

Vocal X RX receiver *1

Vocal X TX transmitter *1

3.5mm TRS to TRS output cable *1

3.5mm TRS to TRRS output cable *1

Built-in mic windscreen furry *1

AC-VM1 omnidirectional lavalier microphone *1

Type-C to Type-A charging cable *2

Storage bag *1

User Manual *1

Warranty Card *1

Vocal X V2

Vocal X RX receiver *1

Vocal X TX transmitters *2

3.5mm TRS to TRS output cable *1

3.5mm TRS to TRRS output cable *1

Built-in mic windscreen furry *2

AC-VM1 omnidirectional lavalier microphone *2

Type-C to Type-A charging cable *3

Storage bag *1

User Manual *1

Warranty Card *1

Vocal X V1W

Vocal X RX receiver *1

Vocal X TX transmitter *1

3.5mm TRS to TRS output cable *1

3.5mm TRS to TRRS output cable *1

Built-in mic windscreen furry *1

AC-VM1W omnidirectional lavalier microphone *1

Type-C to Type-A charging cable *2

Storage bag *1

User Manual *1

Warranty Card *1

Vocal X V2W

Vocal X RX receiver *1

Vocal X TX transmitters *2

3.5mm TRS to TRS output cable *1

3.5mm TRS to TRRS output cable *1

Built-in mic windscreen furry *2

AC-VM1W omnidirectional lavalier microphone *2

Type-C to Type-A charging cable *3

Storage bag *1

User Manual *1

Warranty Card *1

Shenzhen Shenyao Technology Co., Ltd

CKMOVA is the trademark of Shenzhen Shenyao Technology Co., Ltd
Add: Floor 6, 38th Building, BaoNan Street, LongGang District, Shenzhen
Guangdong, China
Email: sales@ckmova.com
Web: www.ckmova.com