

GP Batteries

DATA SHEET

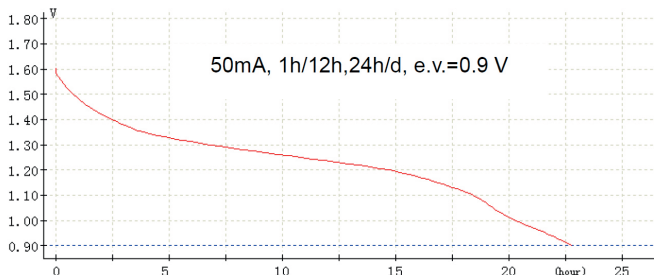
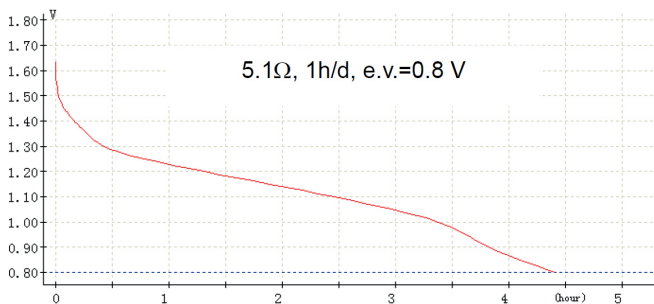
NO MERCURY ADDED

| | |
|----------------------------------|---|
| Description | Mercury & Cadmium Free Alkaline Manganese Battery, AAA Size |
| Chemical System | Alkaline Manganese |
| Nominal Voltage | 1.5 Volts |
| Nominal Dimensions | Refer to drawing |
| Terminals | Protruded positive (+) and flat negative (-) contacts |
| Jacket | Foil jacket |
| Applications | All electronic devices, e.g. toys, photographic equipment, data banks, calculators, audio appliances, remote controls, paging machines. |
| Ambient Temperature Range | Operation: -18°C ~ 50°C Recommended: 10°C ~ 25°C Storage: Not exceed 30°C |
| Shelf Life | 10 years |
| Approx. Weight | 11.5g |

Cross References:

| GP | JIS | IEC | Eveready | Duracell | Varta |
|-----|------|------|----------|----------|-------|
| 24A | LR03 | LR03 | E92 | MN2400 | 4003 |

Discharge curve:



Remarks

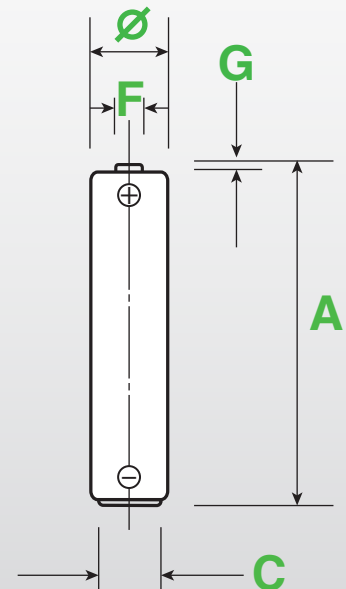
- 1) Store period before test shall be under 20±2°C, RH 55±20% within 30 days of manufacture.
- 2) Batteries shall not leak during the service life test before the end voltage reached.

www.gpbatteries.com

Manufacturer reserves the right to alter or amend the design, model and specification without prior notice.
Copyright© GPI International Ltd. - All rights reserved



Model No.: **GP24A**



| / | min | max |
|---|------|------|
| Ø | 9.8 | 10.5 |
| A | 43.5 | 44.5 |
| C | 4.3 | - |
| F | - | 3.8 |
| G | 0.8 | - |

Dimension : mm

The information (subject to change without prior notice) contained in this document is for reference only and should not be used as a basis for product guarantee or warranty. For applications other than those described here, please consult your nearest GP Sales and Marketing Office or Distributors.

Member
Gold Peak Technology Group