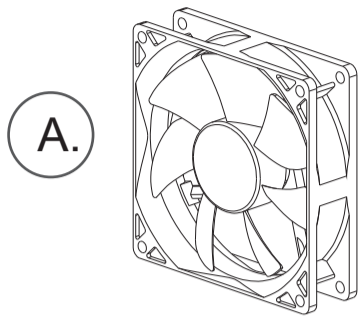


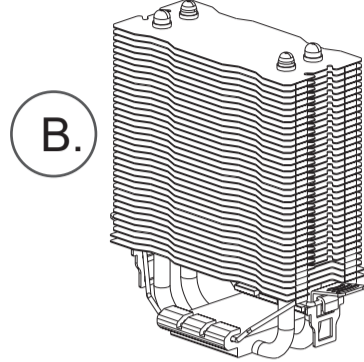
QUICK START GUIDE

A Installation Parts

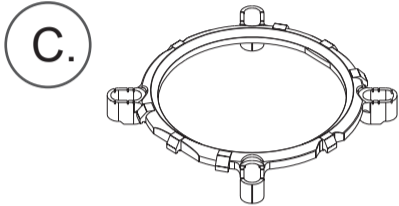
1 x 92mm PWM Fan



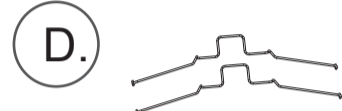
1 x Heatsink



1 x Mounting Ring



1 x Fan Mount Set



4 x Push Pin A



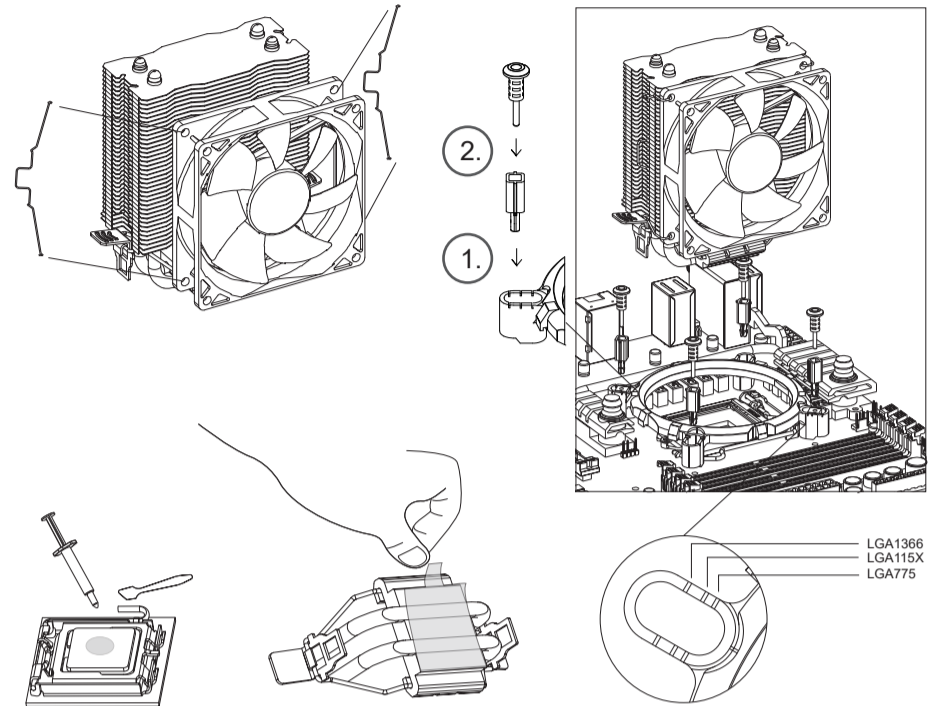
4 x Push Pin B



1 x GC Pro

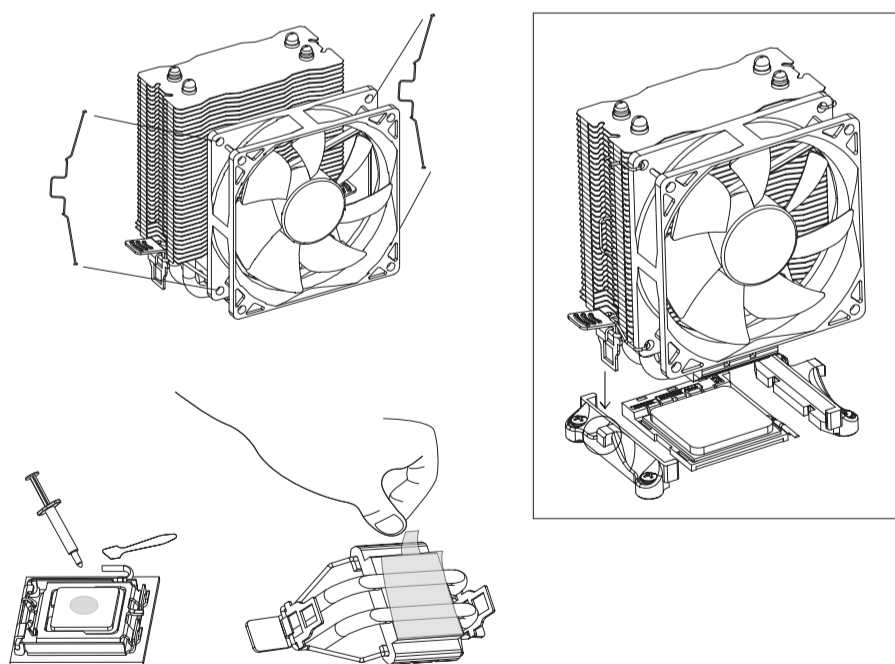


B Installation Instructions (Intel™)

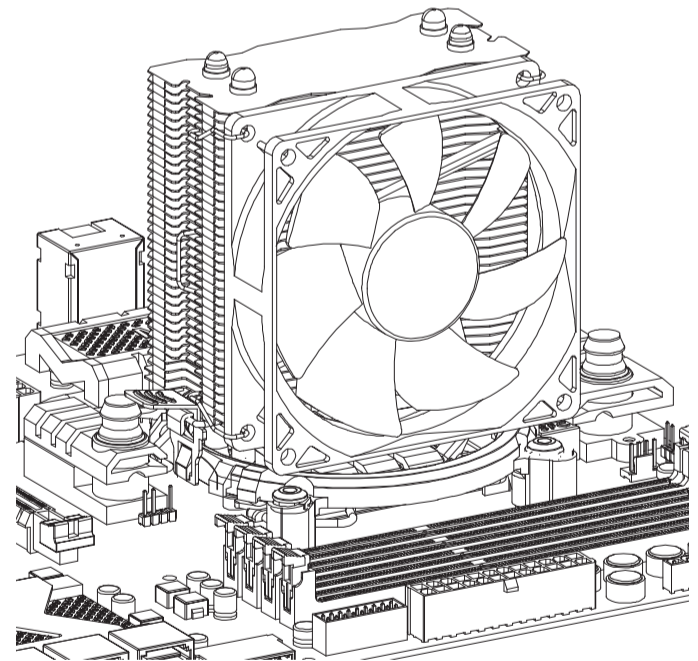


1. Mount the 92mm Fan (A) by inserting the Fan Mount Set (D) into the fan mounting holes and fastening in Heatsink (B) grooves.
2. Insert the 4 x Push Pin B (F) into the Mounting Ring (C) and insert the assembly into the mounting holes of motherboard as shown.
3. Insert the 4 x Push Pin A (E) into the holes of 4 x Push Pin (B).
4. Apply GC Pro (G) Thermal Compound on CPU surface (a small amount in centre is sufficient).
5. Peel off the protective film from the Heatsink (B) base.
6. Put the Heatsink-Fan Assembly into the Mounting Ring (C) and fasten the Heatsink (B) clamps.
7. Plug in the 4 Pin PWM connector of the 92mm Fan (A) into the CPU 4 Pin PWM header on your motherboard.

C Installation Instructions (AMD™)



1. Mount the 92mm Fan (A) by inserting the Fan Mount Set (D) into the fan mounting holes and fastening in Heatsink (B) grooves.
2. Apply GC Pro (G) Thermal Compound on CPU surface. (a small amount in centre is sufficient).
3. Peel off the protective film from the Heatsink (B) base.
4. Put the Heatsink-Fan Assembly on top of the original AMD heatsink mounting bracket* and fasten the Heatsink (B) clamps as shown.
*included with your motherboard.
5. Plug in the 4 Pin PWM connector of the 92mm Fan (A) into the CPU 4 Pin PWM header on your motherboard.



Importer/ RP:
AVM Srls, Via Vittorio Veneto 163
21050 Lonate Ceppino (VA) - Italy
+39 03311351735

Limits of Warranty:

- Warranty coverage does not include the following:
- A faulty product that leads to harm or damage to other products
 - Damage of product as a result of other product components
 - Incorrect method of operation or use of product not for intended use
 - Any form of alteration to original product
 - Inability to install the product as a result of incompatibility with other components.

The Specifications are subject to change without notice.
Please consult our website for further information:

www.gelidsolutions.com

Disclaimer:

In no event shall GELID Solutions its directors or employees be liable for any indirect damages, incidental or consequential damages arising from any defect or error in this manual or product.