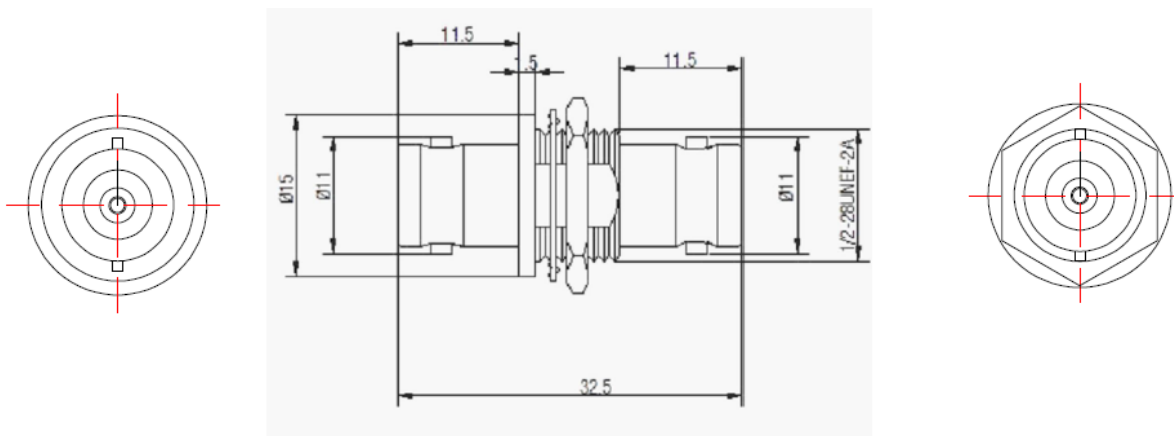


Data Sheet

BNC socket - BNC socket



Technical data

Connector: BNC socket to BNC socket

Impedance: 75Ω

Material: Brass, nickel plated

Insulation material: PTFE