

Data Sheet

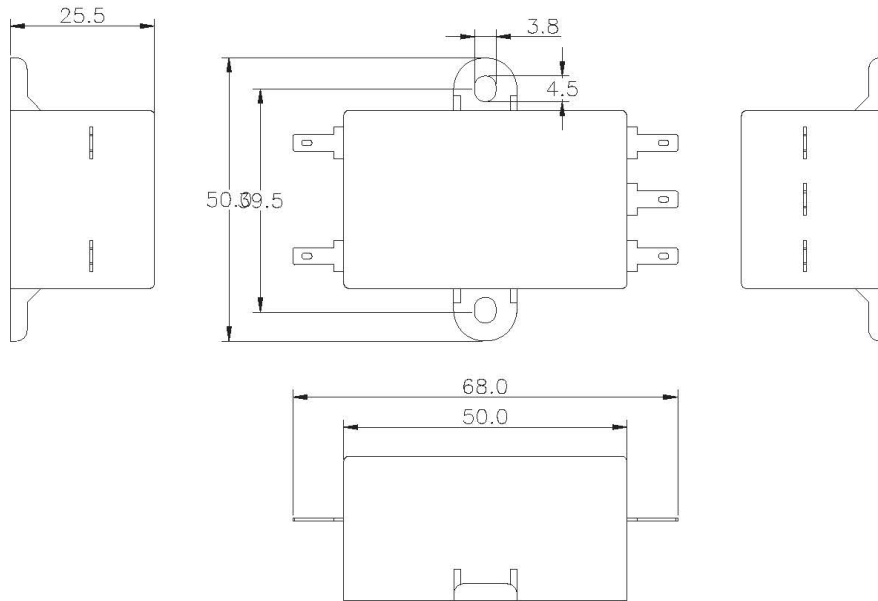
SPECIFICATION FOR APPROVAL

1/3

Name:	EMI FILTER	Part No.:	RD2110031F
YBX MODEL:	YB11P5-1A-S	Customer P/N :	

1. PART NUMBER: YB11P5-1A-S

2. PHYSICAL DIMENSIONS:



0 ~ 10	±0.3
10 ~ 100	±0.5
100 ~ 150	±0.8
150 ~ 200	±1.0

Drawing by	Checked by	Approved by	Ordering No.	Unit	Rev.	Dimension Limit	Tolerance
R&D 2021.12.20 蔡萌萌	R&D 2021.12.20 喻钰鈔		YB11P5-1A-S	mm			
						2021-12-20	

Data Sheet

SPECIFICATION FOR APPROVAL

2/3

Name:	EMI FILTER	Part No.:	RD2110031F
YBX MODEL:	YB11P5-1A-S	Customer P/N :	

3. CHARACTERISTICS:

(1) VOLTAGE RATING.....115/250VAC

(2) CURRENT RATING:

A. @ 115VAC.....1A RMS Max.

B. @ 250VAC.....1A RMS Max.

(3) OPERATING FREQUENCY: 50/60Hz

(4) LEAKAGE CURRENT: EACH LINE TO GROUND(TEMP: 25°C ± 2°C)

A. @ 115VAC/60Hz.....0.4mA Max.

B. @ 250VAC/50Hz.....0.8mA Max.

(5) HIPOT RATING(FOR ONE MINUTE)

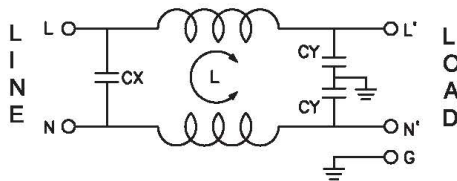
A. LINE TO GROUND.....2250VDC

B. LINE TO LINE.....1450VDC

(6) IR: 50M ohm AT 500VDC ANY INPUT OR OUTPUT TO GROUND

(7) TEMPERATURE RANGE: -25°C~+85°C

4. ELECTRICAL SCHEMATIC:



L:2x3.7mH
Cx:0.1uF(X2)
Cy:3300pF(Y2)*2

5. SAFETY COMPLIANCE:

TUV : B0899310001

Drawing by	Checked by	Approved by	Ordering No.	Unit	Rev.
R & D 2021.12.20 蔡萌萌	R & D 2021.12.20 喻钰鈔		YB11P5-1A-S	mm	
					2021-12-20

Data Sheet

powered
by

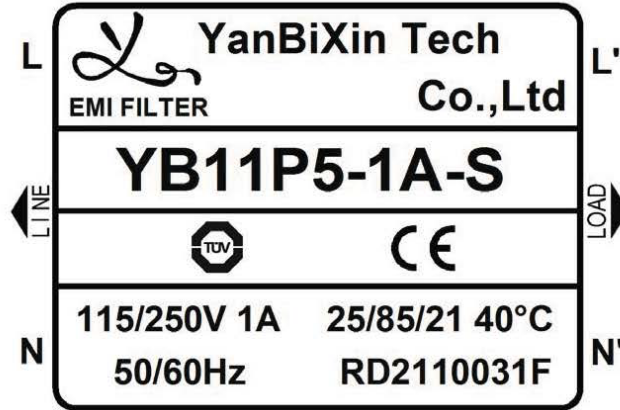




SPECIFICATION FOR APPROVAL

3/3

Name:	EMI FILTER	Part No.:	RD2110031F
YBX MODEL:	YB11P5-1A-S	Customer P/N :	

6.Label:



Drawing by	Checked by	Approved by	Ordering No.	Unit	Rev.	
			YB11P5-1A-S	mm		2021-12-20