

Data Sheet

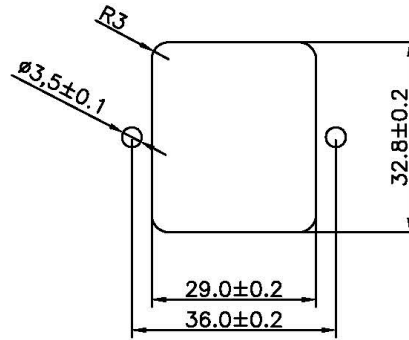
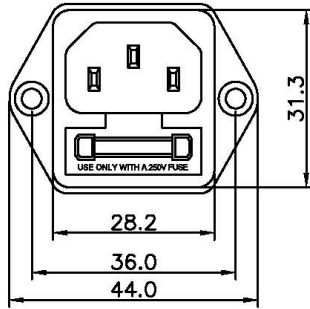
SPECIFICATION FOR APPROVAL

1/2

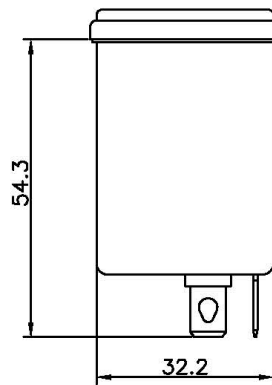
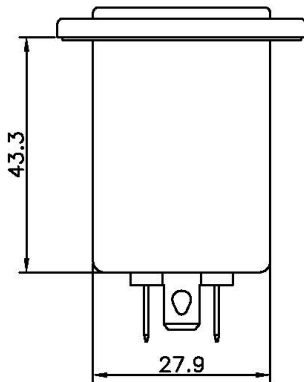
Name:	EMI FILTER	Part No.:	
YBX MODEL:	YB11B1-6A-Q	Customer P/N :	

1. PART NUMBER: YB11B1-6A-Q

2. PHYSICAL DIMENSIONS:



SUGGESTED PANEL CUTOUT



0 ~ 10	± 0.3
10 ~ 100	± 0.5
100 ~ 150	± 0.8
150 ~ 200	± 1.0

Drawing by	Checked by	Approved by	Ordering No.	Unit	Rev.	Dimension Limit	Tolerance
YYC	YYC	Roy	YB11B1-6A-Q	mm	2.1		
2015-9-7							

Data Sheet

SPECIFICATION FOR APPROVAL

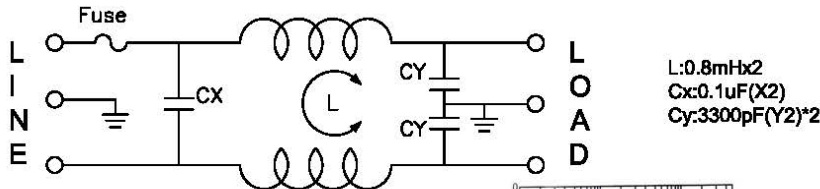
2/2

Name:	EMI FILTER	Part No.:	
YBX MODEL:	YB11B1-6A-Q	Customer P/N :	

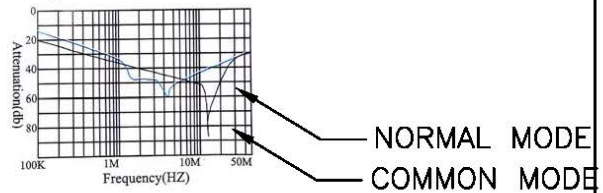
3. CHARACTERISTICS:

- (1) VOLTAGE RATING.....115/250VAC
- (2) CURRENT RATING:
 - A. @ 115VAC.....6A RMS Max.
 - B. @ 250VAC.....6A RMS Max.
- (3) OPERATING FREQUENCY: 50/60Hz
- (4) LEAKAGE CURRENT: EACH LINE TO GROUND
 - A. @ 115VAC/60Hz.....0.4mA Max.
 - B. @ 250VAC/50Hz.....0.8mA Max.
- (5) HIPOT RATING(FOR ONE MINUTE)
 - A. LINE TO GROUND.....2250VDC
 - B. LINE TO LINE.....1450VDC
- (6) IR: 50M ohm AT 500VDC ANY INPUT OR OUTPUT TO GROUND
- (7) TEMPERATURE RANGE: -25°C~+85°C

4. ELECTRICAL SCHEMATIC:



5. NOISE ATTENUATION:



6. SAFETY COMPLIANCE:

UL :E471748
 CQC :CQC14001104342
 TUV : B0899310001

Drawing by	Checked by	Approved by	Ordering No.	Unit	Rev.	2.1
YYC	YYC	Roy	YB11B1-6A-Q	mm	2015-9-7	