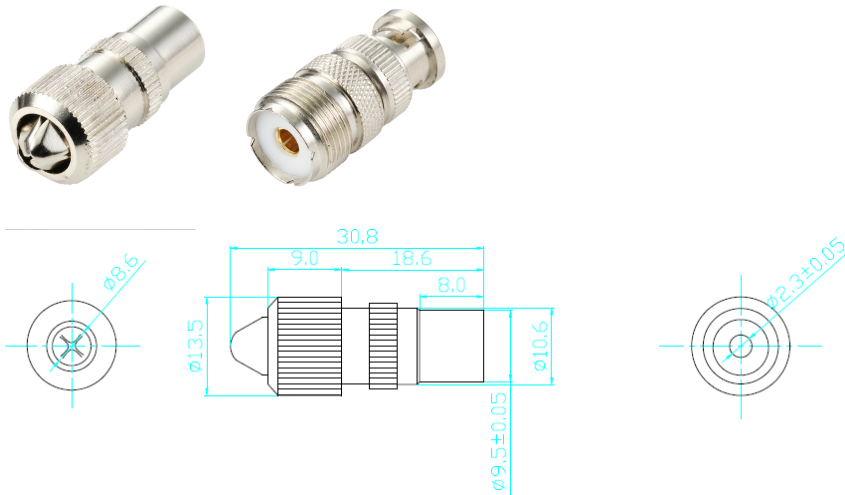


Data Sheet

Coaxial connector, Male, Cable diameter: 5~7 mm



Unit: mm

Technical data:

Cable \varnothing : 5~7mm

Connector type: Plug, straight

Connection: Screw

Impedance: 75 Ω

Material: Nickel plate