

**Order symbol:** EKUN

**Product nbr:** 3530318

**Description:** Base. PC

**Remarks:** Openings, 4x size 2 flange +  
2x size 3 flange

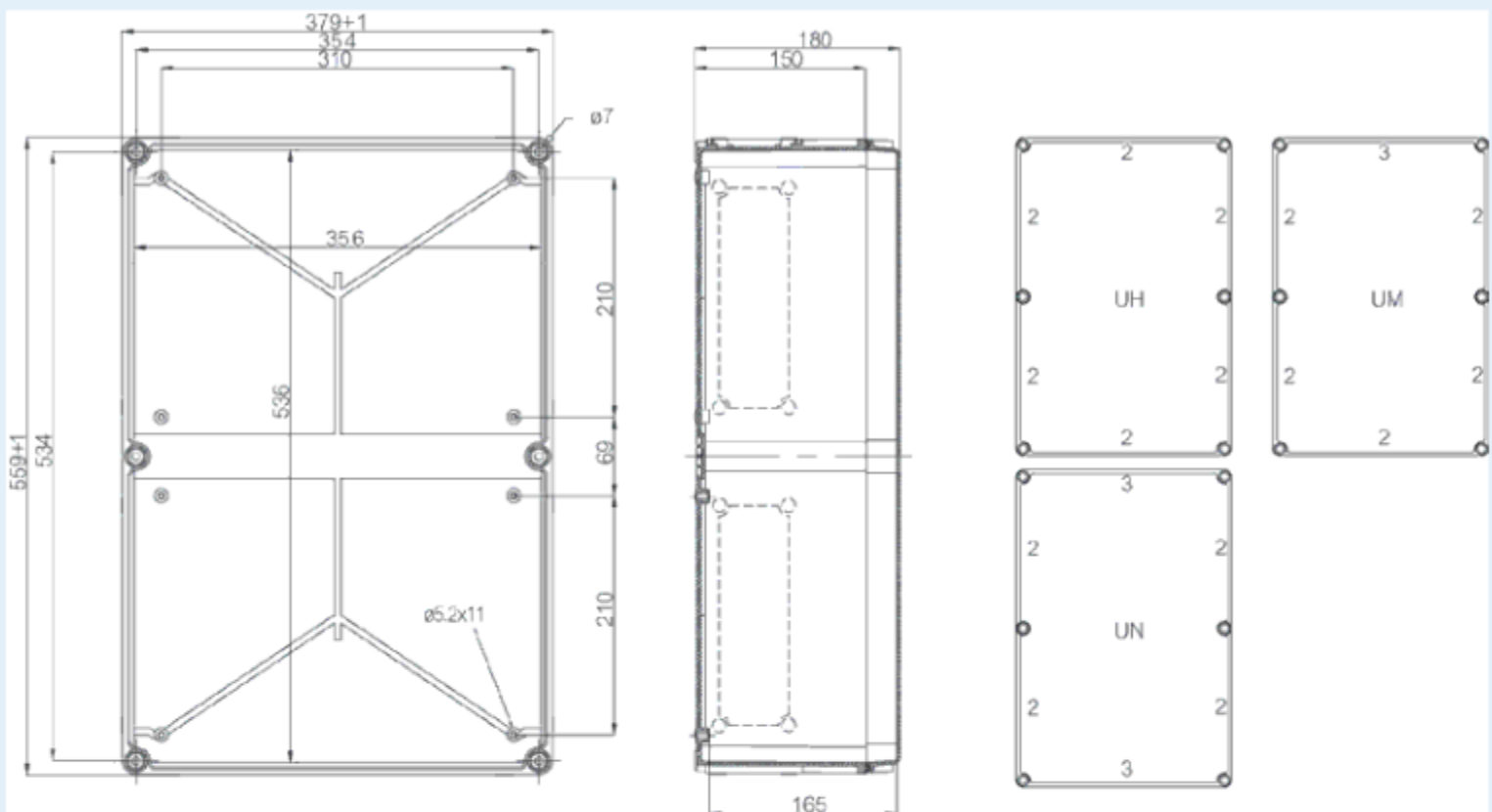
**Including:**

**EAN:** 6418074000156

**El. number:**

- Finland: 3420133
- Denmark: 8212006632
- Sweden: 2537828

Sample image



Dimensions:	Height	Width	Depth
mm:	560	380	150
inch:	22.05	14.96	5.91

#### Materials:

Material:

Base colour:

Cover colour:

Gasket material:

#### Temperatures:

Temperature °C (short term):

Temperature °C (continuous):

Temperature °F (short term):

Temperature °F (continuous):

#### Accessories:

EKUVT Back Panel. for enclosures:  
(518 x 338 x 1)

EKV 32 DIN-35 Mounting rail. for enclosures:  
(335 x 35 x 1)

EKUZR Extension frame. for enclosures:  
(560 x 380 x 50)

#### Rating:

Ingress protection (EN 60529):

Impact Resistance (EN 62262):

Electrical insulation: Not insulated

Halogen free (DIN/VDE 0472, Part 815): 0

UV resistance: -

Flammability Rating:

Glow Wire Test (IEC 695-2-1) °C: C

NEMA Class

#### Certificates:

SGSFIMKO\_EK