

Order symbol: EKHS

Product nbr: 3530543

Description: Base. PC

Remarks: Openings, 1x size 1 flange

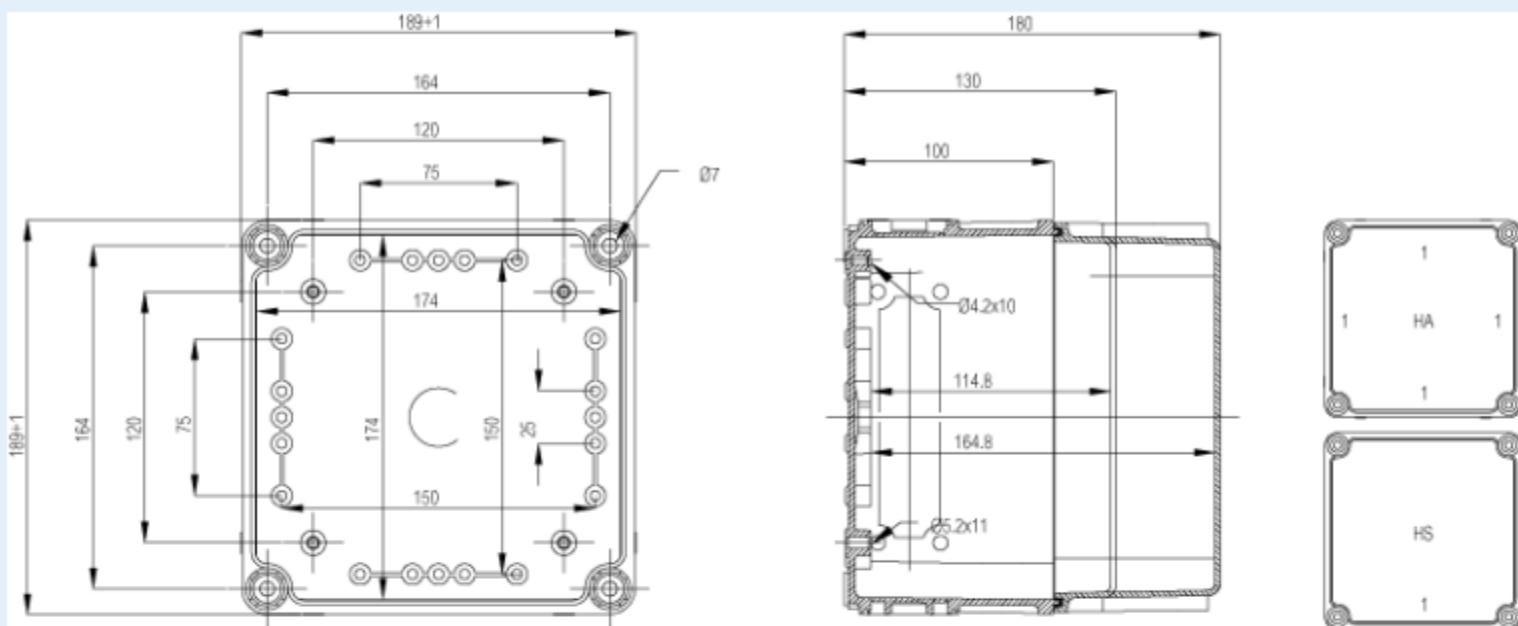
Including:

EAN: 64 18074000026

EI. number:

- Finland: 3420101
- Denmark: 8212006519
- Sweden: 2537802

Sample image



Dimensions:	Height	Width	Depth
mm:	190	190	100
inch:	7.48	7.48	3.94

Materials:

Material:

Base colour:

Cover colour:

Gasket material:

Temperatures:

Temperature °C (short term):

Temperature °C (continuous):

Temperature °F (short term):

Temperature °F (continuous):

Accessories:

EKHVT Back Panel. for enclosures:
(148 x 148 x 1)

EKV 12 DIN-35 Mounting rail. for enclosures:
(160 x 35 x 1)

Rating:

Ingress protection (EN 60529):

Impact Resistance (EN 62262):

Electrical insulation: Not insulated

Halogen free (DIN/VDE 0472, Part 815): 0

UV resistance: -

Flammability Rating:

Glow Wire Test (IEC 695-2-1) °C: C

NEMA Class

Certificates:

SGSFIMKO_EK