

CAB P 604023

FIBOX
Enclosing innovations



Sample image

Order symbol: CAB P 604023

Product nbr: 8104306

Description: Polyester cabinet

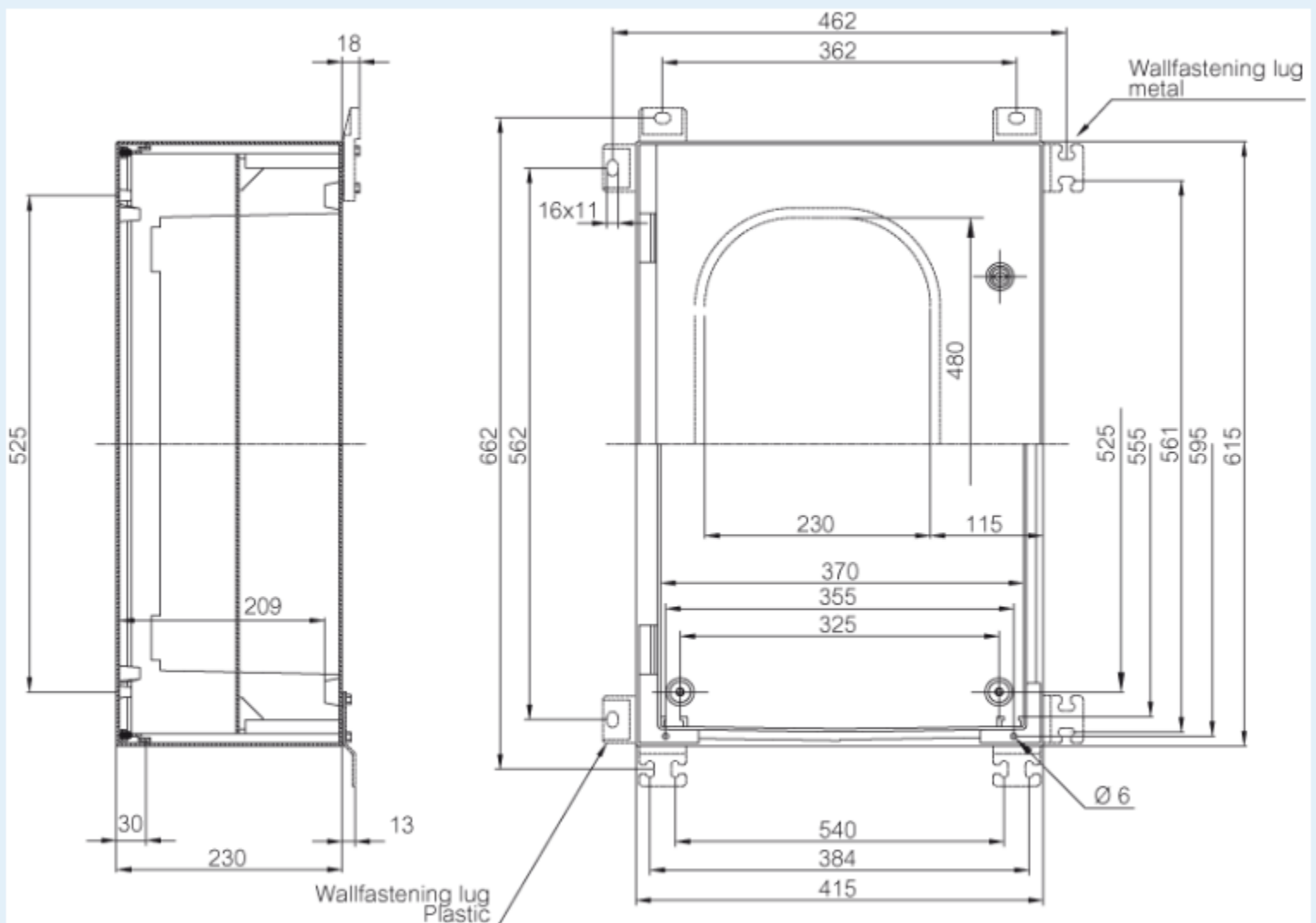
Remarks: Opaque door

EAN: 64 18074050038

El. number:

- Finland: 3424139
- Denmark: 8212018031
- Sweden: 2539823

Including: Cabinet base, door with PUR gasket, 3mm double bit lock(s) with transport and plastic key, screws for mounting plate/DIN-rail and wall fastening lugs with screws. Wall mounting screws not supplied.



Dimensions:	Height	Width	Depth
mm:	600	400	230
inch:	23.62	15.75	9.06

Materials:

Material:	Polyester
Base colour:	RAL 7035 -light grey
Cover colour:	RAL 7035 -light grey
Gasket material:	Polyurethane

Temperatures:

Temperature °C (short term):	-50 ... 120
Temperature °C (continuous):	-40 ... 80
Temperature °F (short term):	-60 ... 285
Temperature °F (continuous):	-40 ... 175

Accessories:

MP 6040	Mounting plate. for enclosures: (600 x 400 x 2)
MB CAB	Swing door kit
FP 6040-D	Swing door/Front plate. for enclosures: (600 x 400 x 1)
FP 6040-3x18	Front Plate with DIN openings. for enclosures: (600 x 400 x 1)
MF 6040	Mounting Frame with DIN-rails. for enclosures: (600 x 400 x 1)
MPP 6040	Back panel. for enclosures: (600 x 400 x 1)
MPX 6040	Back panel. for enclosures: (600 x 400 x 1)

Rating:

Ingress protection (EN 60529):	IP65;
Impact Resistance (EN 62262):	IK07;
Electrical insulation:	Totally insulated
Halogen free (DIN/VDE 0472, Part 815):	0
UV resistance:	UL 508
Flammability Rating:	UL 94 HB
Glow Wire Test (IEC 695-2-1) °C:	960 °C
NEMA Class	

Certificates: