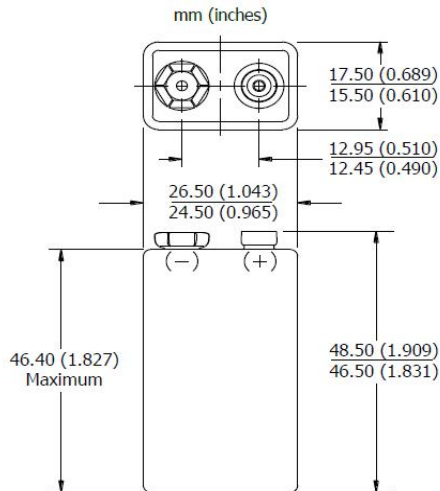


DATASHEET

Item No.: 2525877

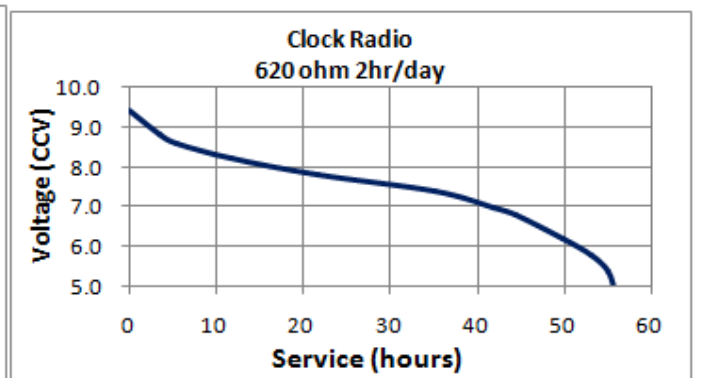
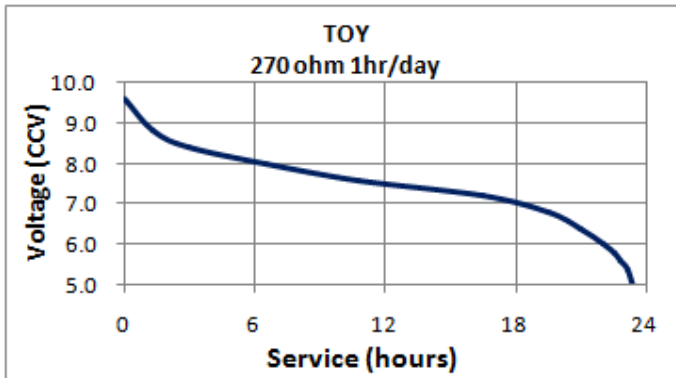
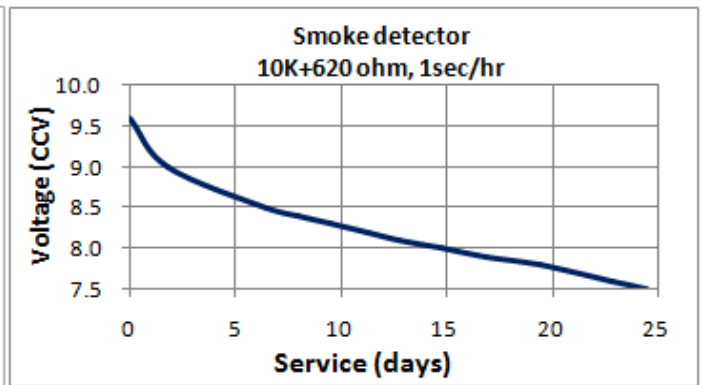
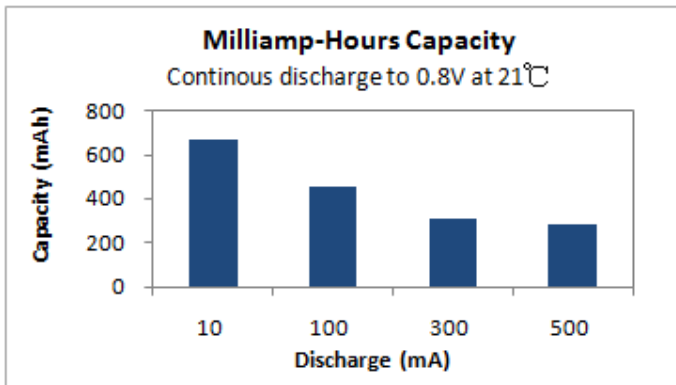
Technical data and line drawing



Type designation:	6LR61 (Common:9V)
Chemical system:	Alkaline
Nominal voltage:	9 V
Weight:	48.4 g
Dimension:	in mm
Capacity:	590 mAh
Operating temperature:	-18 °C ~ 50 °C
Recommended temperature:	10°C ~ 25°C
Recommend storage temperature:	21°C
Shelf lifetime:	7 Years

The dimensions shall be in accordance with the above figures both prior to and after the service output test. Measuring equipment shall be with a minimum accuracy of ± 0.05 mm.

Performance Characteristics (21°C)



Revision Date: 28/08/2024