

# VOLTCRAFT

## VOLTCRAFT - RELIABLE AND PRECISE. SINCE 1982.

For decades, our product range has been dynamically adapting to the constant changes in the industry. We commit to offering first-class quality to our customers while delivering an excellent cost-performance ratio. This philosophy remains the cornerstone of Voltcraft's success.

## LITHIUM BATTERY 2400 MAH

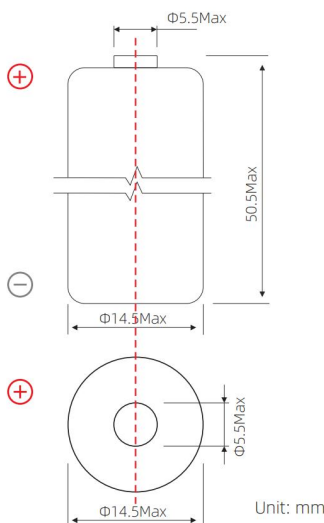


### TECHNICAL DATA

Item No.:	2526462	3451151
Packaging	1 pc/set	10 pcs/set
Type	LiSOCl <sub>2</sub> Lithium AA	
Classification	Non-rechargeable	
Nominal voltage	3.6 V	
Capacity	2400 mAh	
Max discharge current	50 mA (Continuity) 130 mA (Plus)	
Termination voltage	2.0 V	
CCV@330Ω	3.3 V	
Operation conditions	-40 to +85 °C, ≤65% RH	
Storage conditions	10 to +25 °C, ≤65% RH	
Dimensions (H x Ø)	50.5 x 14.5 mm	

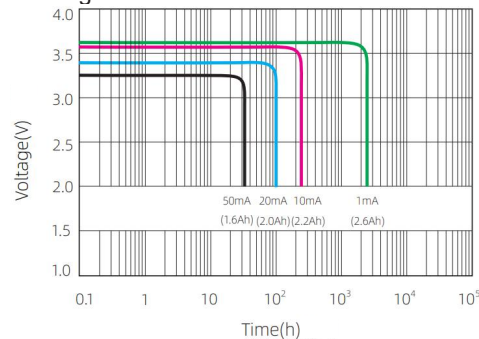
\*For performance and safety, observe the operating / storage conditions.

### DIMENSIONS AND WEIGHT

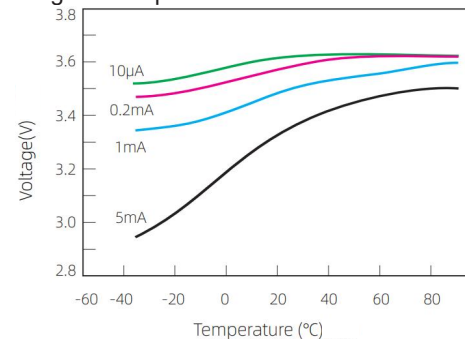


### PERFORMANCE CHARACTERISTICS

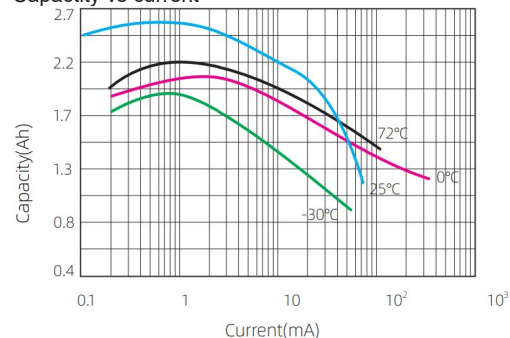
#### Discharge characteristic



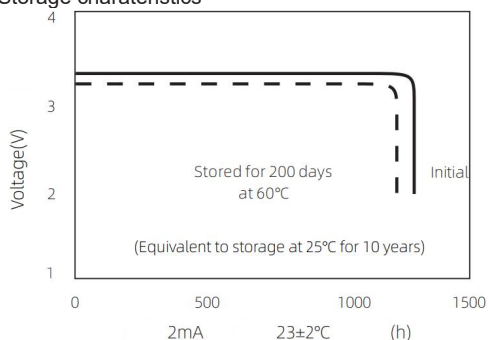
#### Voltage vs temperature



#### Capacity vs current



#### Storage characteristics



This is a publication by Conrad Electronic SE, Klaus-Conrad-Str. 1, D-92242 Hirschau (www.conrad.com). All rights including translation reserved. Reproduction by any method, e.g. photocopy, microfilming, or the capture in electronic data processing systems require the prior written approval by the editor. Reprinting, also in part, is prohibited. This publication represents the technical status at the time of printing.

Copyright 2026 by Conrad Electronic SE.\*2526462\_3451151\_V1\_0326\_02\_dm\_ds\_en