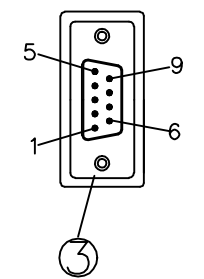
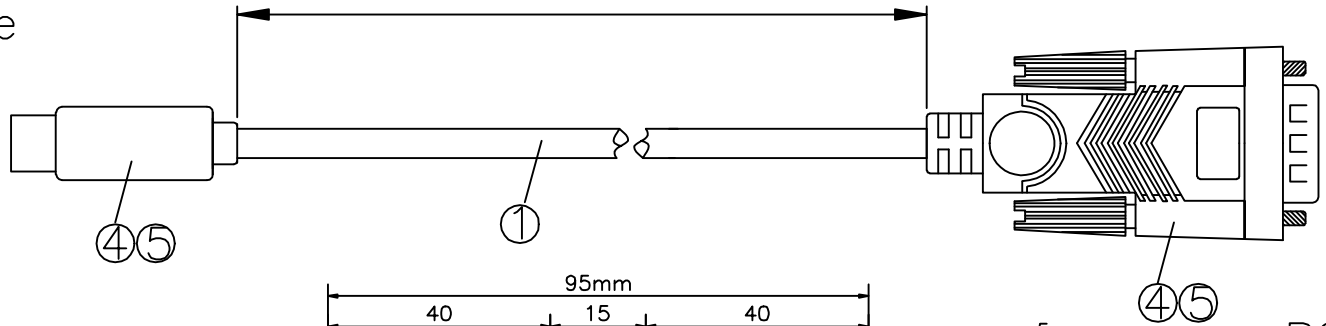
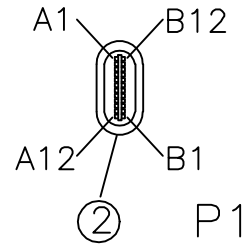


REACH&RoHS Compliant

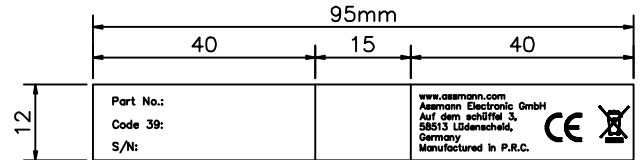
1000±15mm

Type C Male

DB9 Male



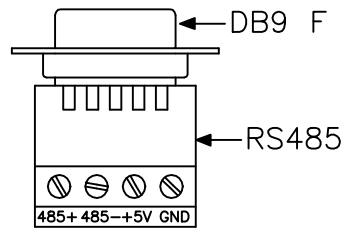
PIN ASSIGNMENT	
USB Type C	PCB
A1, A12, B1, B12	GND
R 5K1	A5
A4, A9, B9, B4	VBUS
A6	D+
A7	D-
SHELL	BRAID GND



CABLE LABEL
(Color of paper: white/text: black)

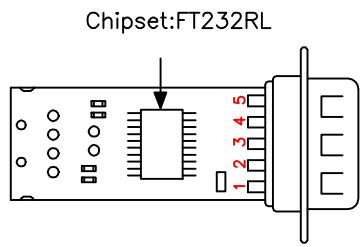
Part No.: ITEM NO
Code 39: Shipment batch change with order
S/N: WWYY
 ↑
 Year(2017=17)
 Week

- NOTES:
- CABLE: USB SHIELDED HIGH SPEED CABLE 2.0 REVISION 28AWG/1P+24AWG/2C+AB, OD:4.0mm, Black
 - CONNECTOR:
P1:USB Type-C Male, Nickel Plated;
P2:DB9 Male,White Insulation
 - HOOD 1: MOLDED TYPE,InnerMolding:LDPE Transparent;OuterMolding:45P Black PVC
 - ELECTRICLE TEST:
Product must be 100% computer test.



DB9 male pin definition:

PIN1:485-
PIN2:485+
PIN5:GND
PIN6:+5V



Date		Name		Part No.	
Drawn by	2022.9.13	He Wang	DA-70168		
Checked by	2022.9.13	Xiao jiang	EAN:4016032473046		
Approved by			Title		
ASSMANN Electronic GmbH			USB Type-C to RS485 Converter cable 1m cable length,FTDI chipset		
			Scale	N/A	Sheet
			Unit	MM	1/1