

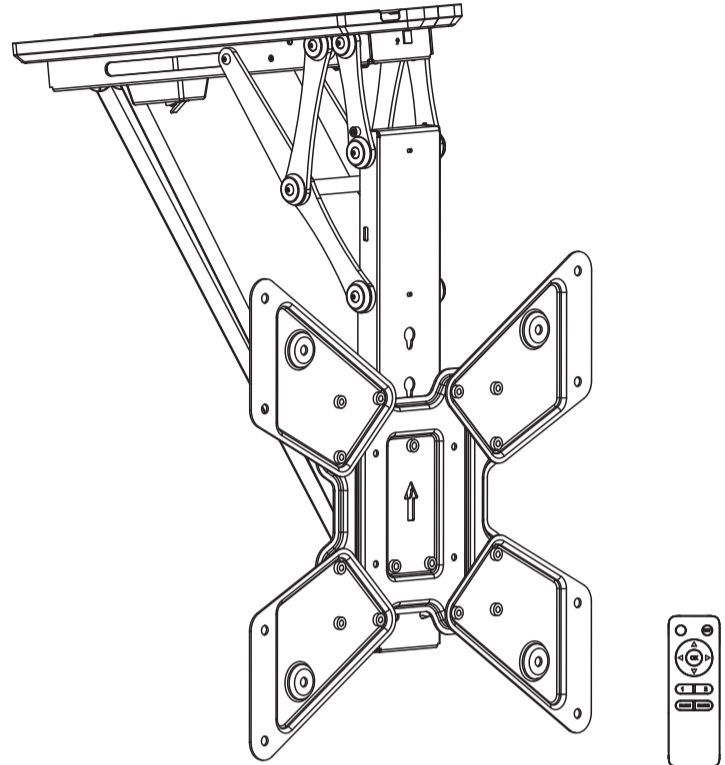
# MOTORIZED TV CEILING MOUNT

Item No. 2531304 / SP-TVCM-510



## Risk of injury

Read the safety instructions supplied with the product before you install and operate the product



VESA Compatible 100x100 200x200 300x300 400x200 400x400	55" MAX FLAT/CURVED	30kg (66lbs) RATED
---	------------------------	--------------------

**5**

**WARNING:**  
Do not open the electrical cover.

**WARNING:**  
Never operate the mount without a TV installed.

### Remote Control Operation Instructions

RMT-02  
remote control

#### A. Button Functions

##### 1.Upward/Downward Movement

Press the "▲" button, the TV mount will move upward to the lowest-profile position against the ceiling. Press the "▼" button, the TV mount will move downward to the maximum tilt angle position (75° by default). Press the "⊞" button to stop the motion. (Tips: Clear up all obstacles within the range of motion.)

##### 2.Memory Setting

Press the "mem1" or "mem2" button for 1 seconds and you will hear a beep, indicating that the current position has been saved to memory. The "mem1" or "mem2" buttons can each store a different position.

##### 3.Recall Memory

Press the "1" or "2" button and the mount will automatically get to the position saved in the corresponding button "mem1" or "mem2".

##### 4. Reset Mode

If the TV mount can't be adjusted to the highest position(0 degree against the ceiling) or the lowest position (max. tilting position), unplug and re-plug the power. Then press and hold the "⊞" button for 5 seconds. Mount will retract to the highest position, that means the system has been successfully reset.

##### 5.Reset the Tilt Range for Pitched Ceiling

The TV mount is 0°-75° adjustable by default. Please reset the tilt range if you use as a pitched ceiling TV mount.  
**Prepare:** Reset the system (see Instructions on A. Button Functions - 4. Reset Mode).  
**Step 1:** Press "▼", "▲" and "⊞" buttons and adjust to the proper position.  
**Step 2:** Press and hold the "mem1" button until the unit beeps once. Repeat this step 5 times. The unit will emit a long beep to indicate success.  
**Note:** Step 1, 2 should be finished in 2 minutes, or it will fail to reset.  
**Note:** Long press (SET) for 5 seconds to disconnect the device from the app.  
**Note:** The remote controller is powered by two AAA batteries (not included).

#### B. Manual Mode

In any position (but the minimum position against the ceiling), when manually push up the TV ceiling mount over a distance. The TV ceiling mount will automatically return back to the minimum position against the ceiling.

### C. Coding of Remote Controller and Control Box

**Step 1:** When the mount is powered on, press the small button on the control box with a thin tool as shown. The unit emits a beep, indicating that the control box is on standby for program coding.

**Step 2:** Press the "SET" button on the remote control, and the control box repeatedly beeps for approximate 10 seconds indicating that the remote control is being programmed. The process will be finished automatically until you can't hear a beep any longer.

**Note:** The TV Mount can be matched with up to 20 remote controllers. To clean up the data of all the remote controllers, press and hold the code matching button for 5 seconds then release. The unit will emit two beeps confirm the successful clean up and vice versa.

### In Front

This repair guide intends to help you identify and solve the minor problems caused by unusual operation of the electric system of our electric TV mounts. The simple procedures in this manual are easy to follow and capable of solving the most problems happened in everyday use.

### Error Indication

#### 1. The Buzzer Constantly Gives Out Alarm Sound: The Error Of Positioning Signal

Reset the system by following the instruction manual. If the alarm sound continues, please contact us to replace the product.

1

2

#### Remote Control Problems

##### 1. Abnormal Loss Of Power (Normally Batteries Are Out Of Power After 24hrs Without Using The Remote Control.)

Please contact us to replace remote control.

1

2

##### 2. Buttons On Remote Control Don't Work.

Please check if the batteries have power. If the problem isn't solved, please contact us to replace the remote control. If the problem is still not solved after the replacement, please contact us to replace the product.

1

2

##### 3. The Insensitivity Of Remote Control (The Functional Distance Is Less Than 3m.)

Please replace the batteries. If the problem is still not solved, please contact us to replace remote control.

1

#### Abnormal Operation: The TV Mount Can't Be Adjusted To 0° Or 75°

Please reset the system by following the instruction manual. If the problem is still not solved, please contact us to replace the product.

1

2

#### Can't Operate

Please check if the power adaptor is properly connected to the product. If so, please turn the power on. If there is no buzzer sound or red light power indication, please check if the power adaptor works properly. If the power adaptor doesn't work please contact us to replace the power adaptor. If the power adaptor works properly, but the TV mount doesn't work, please contact us to replace the product.

1

2

3

#### Abnormal Noise

Please contact us to replace the product.

1

2

