

# VOLTCRAFT

## DATASHEET

Item No.: 2533738

Type designation: LR6 Common: AA

Chemical system: Ni-MH

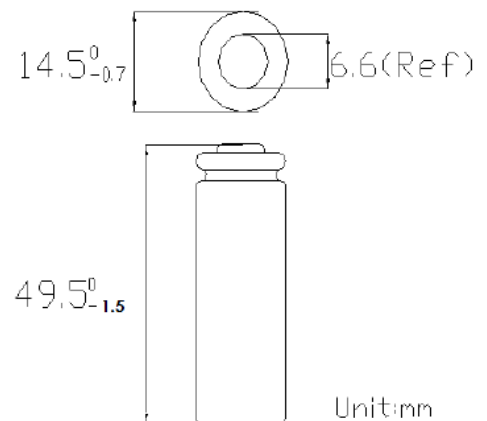
Nominal voltage: 1.2 V

Weight: Approximate 28 g

The dimensions shall be in accordance with the below figures both prior to and after the service output test.

### Dimension (mm)

Nominal Dimension(cell) :  $\varnothing = 14.5$  (  $-0.7$  mm)  
with sleeve :  $H = 49.5$  (  $-1.5$  mm)



Capacity: 1400mAh (Charge  $140\text{ mA} \times 16\text{ h}$  ; Discharge  $280\text{ mA}$  to  $1.0\text{ V}$ ; at  $20^{\circ}\text{C}$ )

Operating temperature: Standard Charging  $0^{\circ}\text{C}$  to  $40^{\circ}\text{C}$

Fast Charging  $10^{\circ}\text{C}$  to  $40^{\circ}\text{C}$

Discharging  $-20^{\circ}\text{C}$  to  $60^{\circ}\text{C}$

Recommend storage temperature:  $20^{\circ}\text{C} \pm 2^{\circ}\text{C}$

Shelf lifetime: 1 Year