

DIGITAL WEEKLY TIMER

müller SC 88.x0 pro4



Overview

- 1, 2, 3 or 4 channels
- Daily, weekly or astro program
- Yearly program by extra switching times
- 300 memory locations
- Zero-cross switching
- Up to 600 W LED lamp load
- Integrated Bluetooth
- Programmable via App (iOS, Android and Windows)
- 10 years battery-reserve
- Exchangeable battery (CR 2032)
- Switching capacity 16 A per channel
- Cycle and random function
- Timer function
- External input function (switch or push-button)
- DCF / GPS function
- Extra switching times ON, OFF and pulse by date and time
- Permanent by date and time / holiday function
- Manual permanent mode
- Manual override
- Fully automatic daylight saving time
- Elapsed time and pulse counter
- Easy handling
- Illuminated display
- Security by PIN-Code

Accessories



Save 'n carry
WIN10 App



Save 'n carry App



müller FU 20.00 pro



müller FU 3x.00 pro

Highlights

- Programmable with PC or Smartphone via Bluetooth (free iOS, Android and Windows app)
- No additional Data stick needed! Bluetooth integrated in time switch
- Zero-crossing (up to 600 W LED lamp load)
- Exchangeable battery (CR 2032) with 10 years battery reserve
- Random function for presence simulation
- Optimized own consumption: only 0.3 W in „standby“ mode
- Quick and intuitive programming
- Can be programmed with supply disconnected
- Unlimited program security by E2-PROM

Intended use

- The device can be used in following applications: Illumination of private and industrial areas, street and shop-window lightening, regulation of air conditioning, flushing, motors, pumps, plants and machinery as well as to simulate presence etc.
- Operate the device in a dry room only!
- The installation must be in accordance with the instruction manual.
- The device is not qualified for security relevant tasks such as emergency doors, fire protection equipment

Supply voltage versions

- see technical data

Order numbers

■ müller	
SC 88.10 pro4	1 channel version
SC 88.20 pro4	2 channel version
SC 88.30 pro4	3 channel version
SC 88.40 pro4	4 channel version

DIGITAL WEEKLY TIMER

müller SC 88.x0 pro4

Order information

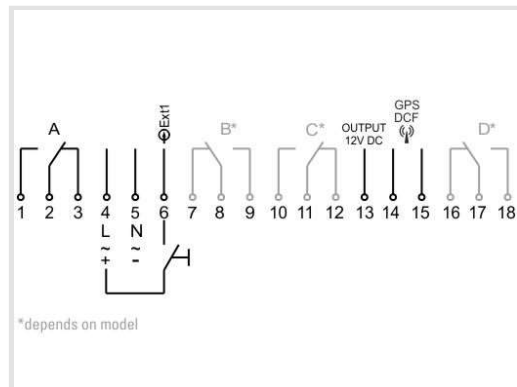
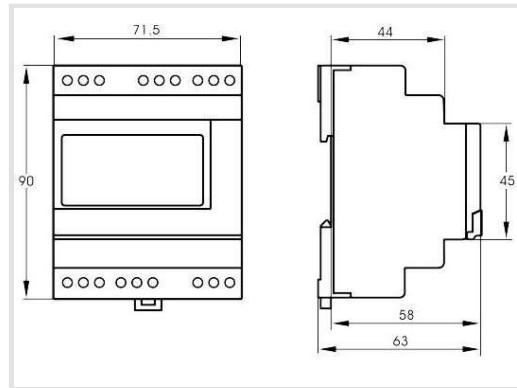
	Voltage	EAN	Art. No.
SC 88.10 pro4	110-230 V 50-60 Hz	4022709241030	24103
SC 88.20 pro4	110-230 V 50-60 Hz	4022709241047	24104
SC 88.30 pro4	110-230 V 50-60 Hz	4022709241054	24105
SC 88.40 pro4	110-230 V 50-60 Hz	4022709241061	24106

Other supply voltage versions on request

12-24V ACDC see SC 98.20 pro4 / SC 98.40 pro4

Technical data

Supply voltage	110-230 V, 50-60 Hz
Voltage tolerance	±15%
Power consumption (real power)	0,3 - 2,2 W (depending on the switching status)
Channels (potential-free)	Change-over, contact gap < 3 mm (μ)
Contact material	AgSnO ₂
Switching capacity per channel	
resistive load:	16 A / 250 V~ at cosφ=1
inductive load:	10 A at cosφ=0,6
Min. switching power	1.000 mW (10 V / 10 mA)
Max. starting current	50 A
Filament Lamp	3.000 W
Halogen Lamp	
Fluorescent Lamp uncompensated	2.600 W
Fluorescent Lamp series compensated	2.600 W
Fluorescent Lamp parallel compensated	1.300 W
LED (230 V~) / CFL	600 W
Switching functions	ON OFF pulse cycle extra permanent astro
Pulse length Pulse function (switching time)	00:01 up to 59:59 mm:ss
Pulse length Timer (man. switching)	0:00:01 up to 9:59:59 h:mm:ss
Pulse/Pause length cycle	0:00:01 up to 9:59:59 h:mm:ss
Memory locations	300
Minimum interval	1 Min.
Time base	Quartz DCF (FU 20,00 pro) GPS (FU 30,00 pro)
Quartz accuracy (at 20 °C)	≤ ±0,5 Sec./day (Quartz accuracy optimized for typical ambient conditions)
Power back-up (at 20 °C)	approx. 10 years (exchangeable battery CR 2032)
Program security	unlimited (E ² -PROM)
Display	high resolution LCD (visible area 12,8 cm ²)
Permitted ambient temperature	-30...+55 °C
Housing	self-extinguishing thermoplastic
Dimensions	45 x 71,5 x 58 mm
Mounting	35 mm DIN-rail
Type of connection	Screw terminals (Pull-up type)
Type of protection	IP 20 to DIN EN 60529
Class of protection	II when installed according to regulations
Mode of operation (DIN EN 60730-1)	1 BSTU
Degree of contamination (DIN EN 60730-1)	2
Rated surge voltage (DIN EN 60730-1)	4 kV
Minimum requirement	Android version 4.4 iOS version 11.0 Bluetooth version 4.1
Accessories (not included in delivery)	Radio receiver DCF FU 20.00 pro Radio receiver GPS FU 30.00 pro



*depends on model