

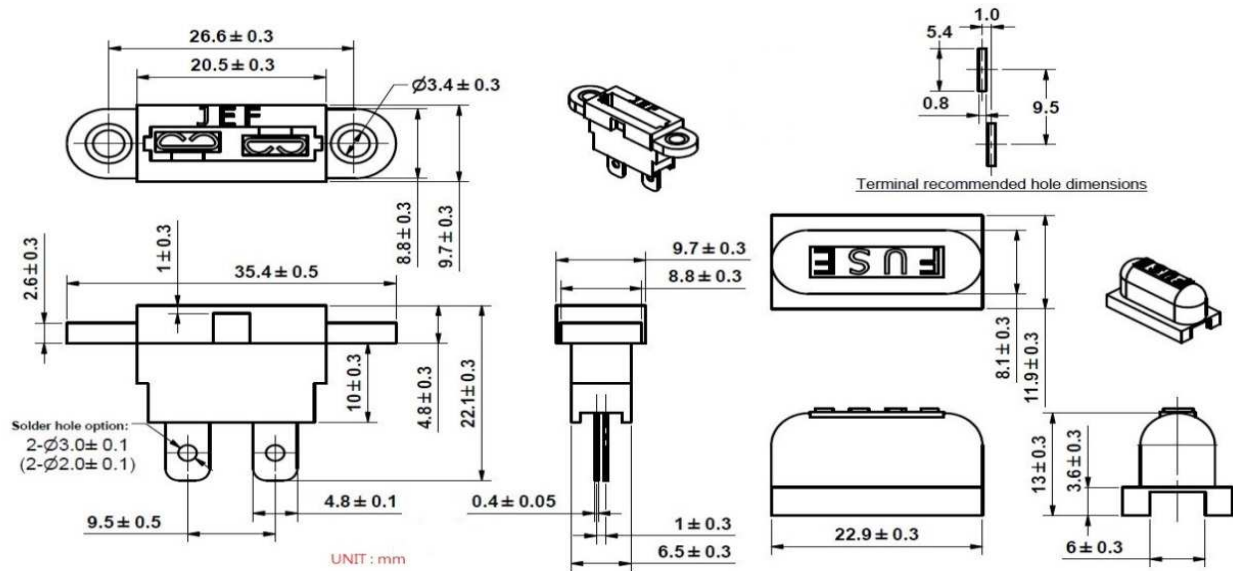
Item number: 2542784

Product name : Mounted Fuse Block



**SPECIFICATION :**

- \*Applicable: for ATP blade fuse,ATO blade fuse, ATC blade fuse
- \*Electrical: Max. 30A 32V
- \*Insulation Body: PA66
- \*Contcat: Tin plated Brass



\*If changed without any notice advance.