

VOLTCRAFT

DATASHEET

Item No.: 2542811

Type designation: LIR9V

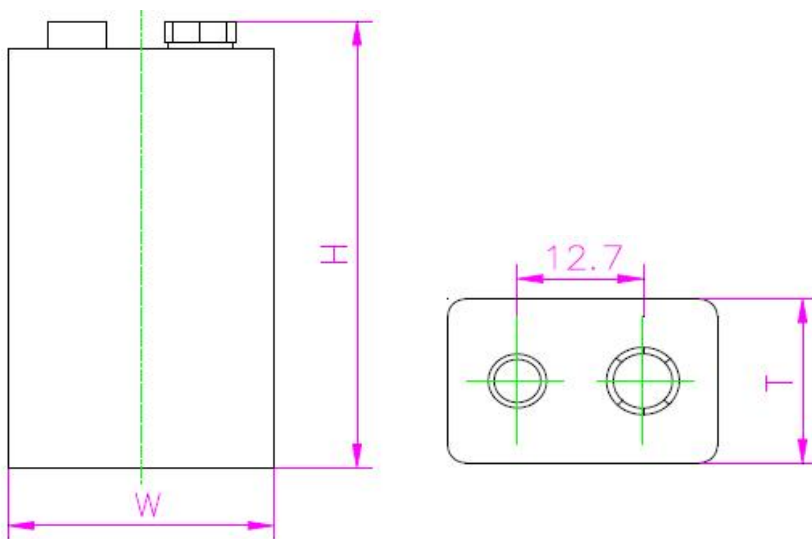
Chemical system: Li-ion

Nominal voltage: 7.4V

Charge voltage: $8.4V \pm 0.03V$

Standard charging method: 0.2C constant current charge to 8.4V, constant voltage charge to 8.4V, continue charging till current decline to $\leq 0.01C$.

Cell dimension:



NO	Items	Units: mm		Remark
1	Thickness	T	17.5 ± 1	
2	Width	W	26.5 ± 1	
3	Height	H	48.3 ± 1	

Min Capacity: 500 mAh ; Max Capacity: 510 mAh

Charge current: 0.2C Standard charge, charge time: 6.5h(Ref);

0.5C Rapid Charge, charge time: 2.5h(Ref)

Operating temperature: Charge ($0\text{ }^{\circ}\text{C} \sim 45\text{ }^{\circ}\text{C}$); Discharge ($-20\text{ }^{\circ}\text{C} \sim +60\text{ }^{\circ}\text{C}$)

Storage temperature at a long time: $-20\text{ }^{\circ}\text{C} \sim 25\text{ }^{\circ}\text{C}$

Battery are compliant with standards EN62133-2:2017

This is a publication by Conrad Electronic SE, Klaus-Conrad-Str. 1, D-92240 Hirschau (www.conrad.com). All rights including translation reserved. Reproduction by any method, e.g. photocopy, microfilming, or the capture in electronic data processing systems require the prior written approval by the editor. Reprinting, also in part, is prohibited. This publication represents the technical status at the time of printing. Copyright 2023 by Conrad Electronic SE.